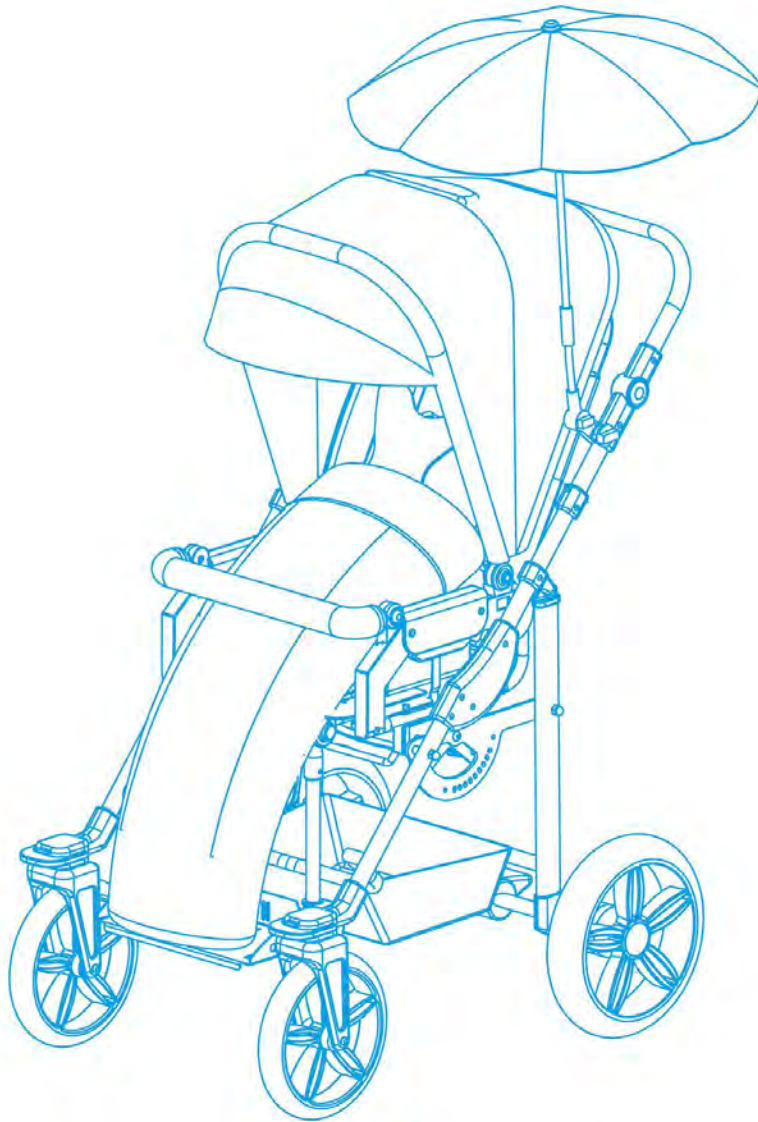


MANUAL FOR
BAFFIN BUGGY



Edition 6 – 2016-12-12



NOTE! THE MANUFACTURER IS SOLELY RESPONSIBLE FOR THE EQUIPMENT PURCHASED FROM A DIRECT REPRESENTATIVE OF LIW CARE TECHNOLOGY, OR IN SPECIALIZED MEDICAL SHOP REPRESENTING LIW CARE TECHNOLOGY IN POLAND.



1.	Introduction	3
2.	General safety standards	4
3.	Indications for product use	5
4.	Weight and dimensions	6
5.	Structure of the Baffin Buggy	8
6.	Detailed mounting description of Baffin Buggy	10
7.	Moving the Baffin Buggy	11
8.	Detailed structure and adjustment description of Baffin Buggy	12
8.1	Unfolding the buggy's frame	12
8.2	Folding the buggy's frame	13
8.3	Parking brake	14
8.4	Back plate angle adjustment	15
8.5	Push handle adjustment	15
8.6	Seat angle adjustment	16
8.7	Seat depth and hip supports adjustment	17
8.8	Footrest height adjustment	18
8.9	Side supports adjustment	19
8.10	Head supports adjustment	20
8.11	Adjusting and removing the roll bar	22
8.12	Regulation, mounting and dismantling the tray table	23
8.13	Mounting the rain cover	25
8.14	Mounting the leg cover	25
8.15	Mounting the Umbrella	26
8.16	Mounting and dismantling the Canopy	26
8.17	Footrest adjustment	27
8.18	Footrest supporting legs adjustment	27
8.19	Adjusting the backrest	28
8.20	Vest attachment and adjustment	28
8.21	Mounting the pelvic belts	30
9.	Maintenance and cleaning	31
10.	Warranty/Service	32
11.	Identification plate	32
12.	Symbols meaning	33
13.	Compliance with the safety requirements for medical devices	33

1. Introduction



Developed and created by LIW Care Technology, first-class Pediatric Pushchair Baffin Buggy (hereinafter referred to as the buggy), is designed to transport children from 2 up to the age of 18, up to 22 kg and up to 125 cm tall. It is designed to facilitate the daily care of children who need transport, whose diseases enable their self-sufficient movement as well as the correct sitting and standing. Buggy Baffin medical device is designed for children with paralysis and triplegia or tetraplegia; with diplegia, hemiplegia or hemiparesis. We did our best to make this Baffin Buggy Pediatric Pushchair really easy to operate, to provide stability, with the ability to adapt to the body shape.

We are aware of the fact that assuming sitting position by a disabled person is a very important element of psychomotor development and the opportunity for comfortable and safe movement in open space has a huge, positive impact on patients and their caregivers alike. That is why, we have Baffin Buggy, which was designed to be easy to use and to dismantle. The buggy may be used both indoors and outdoors.

We pay special attention to high quality of our products, that is why we would like you to read these user instructions thoroughly – this will ensure a safe use of this product, it will affect its efficiency and it will allow you to fully exploit the advantages of this Baffin Buggy.

Keep these instructions in a safe place, so that they are available if required. These instructions are intended to be read by persons responsible for taking care of disabled children.



For LIW Care Technology Sp. z o. o., the most important thing is to protect the patients who use our equipment. For ensuring the safety of Baffin Buggy users, the following recommendations should be adopted:

1. Please read the Instructions before the first use. In case any questions or doubts should arise, please contact your dealer or the manufacturer. Contact details are available via our website: www.liwcare.pl
2. Please make sure that all the information, tips and warnings contained in these chapters are fully understood.
3. Never leave your child in the buggy unattended.
4. Improper use of the buggy may endanger human health and it may cause injuries.
5. While using and operating the buggy as well as during its setting and adjusting the mechanisms, you should pay close attention to moving parts which create risk of trapping the body in holes or between the elements. After every single adjustment, you must stabilize its position by carefully tightening screws and ensure that all the components are correctly positioned and locked.
6. If the child is in a buggy, make sure it is properly secured by belts and a vest.
7. The Baffin Buggy can be used by one person at a time.
8. It is forbidden to transport the baby in the Baffin Buggy while using the public and private transport, ie. bus, tram, trolley bus, train.
9. It is forbidden to transport the baby in the Baffin Buggy while driving a car – the seat of the buggy is not a car seat. The child cannot stay in the seat while driving.
10. In the backseat there is a pocket with all the tools that are needed to carry out the adjustments: allen wrench no. 4, flat wrench (10 mm) and flat wrench (13 mm).
11. It is forbidden to drive up and drive the buggy down stairs with both the child and without the child.

In these instructions for LIW Care Technology Sp. z o. o. products, you will find information marked with „NOTE!“ symbol. It is used to draw reader’s particular attention to the text. It looks as follows:



NOTE! THE SYMBOL IS USED TO DRAW THE READER’S ATTENTION TO THE TEXT WHICH IS MARKED WITH THIS SYMBOL. FAILURE TO COMPLY WITH THE INSTRUCTIONS MAY ENDANGER THE HEALTH AND SAFETY OF THE USER OR IT MAY DAMAGE THE PRODUCT.

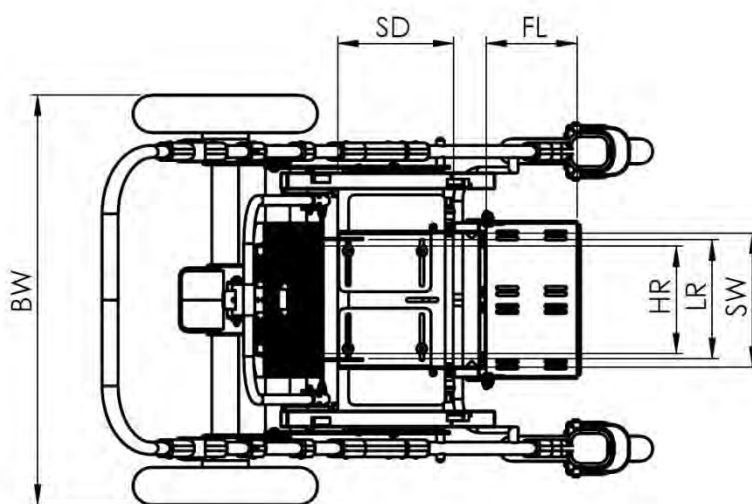
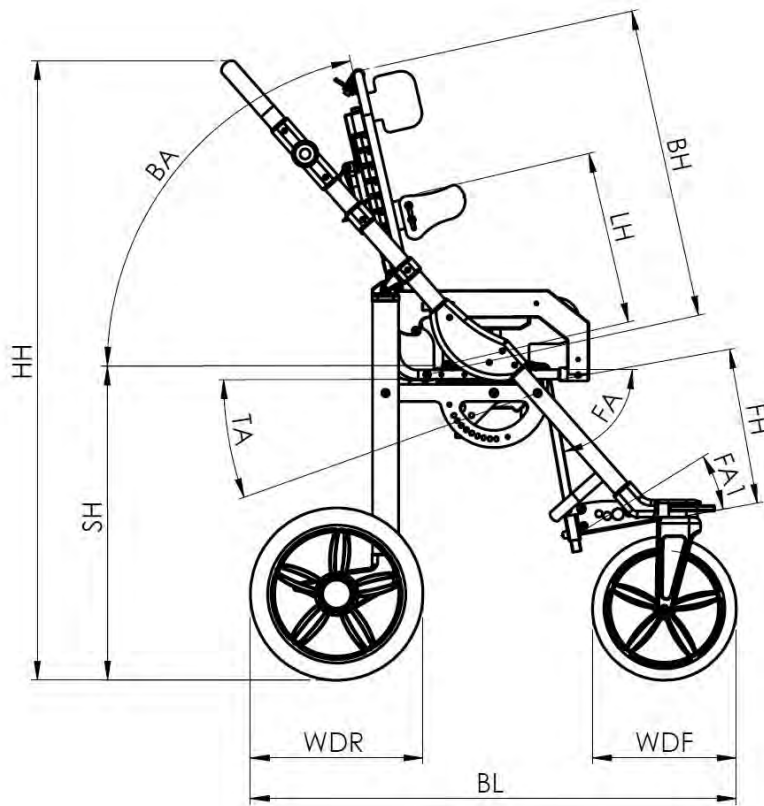
3. Indications for product use



Baffin Buggy medical device is designed for children suffering paralysis and triplegia or tetraplegia; from diplegia, hemiplegia or hemiparesis.

It is recommended for children who have been diagnosed with:

- cerebral palsy (paralysis cerebri infantum),
- muscular dystrophies,
- paralysis,
- spina bifida,
- myelomeningocele,
- spinal injury,
- traumatic brain injury,
- strokes,
- other diseases with paresis, paralysis, locomotory disabilities enabling their self-sufficient movement.



No.	Dimension	Dimension symbol	Dimension [cm]
1	Pelvic support spacing (seat width)	SW	17 ÷ 30
2	Seat depth	SD	20 ÷ 30
3	Turning angle	TA	-45° ÷ 15°
4	Back height	BH	54
5	Back-support angle	BA	20° ÷ 90°
6	Side supports length	LH	17 ÷ 30
7	Side supports spacing	LR	15 ÷ 27
8	Head supports spacing	HR	16 ÷ 22
9	Footrests height	FH	16 ÷ 35
10	Footrest length	FL	15
11	Footrest angle adjustment	FA	0° ÷ 90°
12	Footrest assembly angle	FA1	0° ÷ 20°
13	Seat height	SH	59
14	Base length	BL	84
15	Base width	BW	68
16	Wheel diameter (front)	WDF	24
17	Wheel diameter (rear)	WDR	30
18	Handle height	HH	85 ÷ 117
19	Maximum user's weight		22 kg
20	Maximum load (user's weight + additional load)		25 kg
21	Weight of the buggy		20,5 kg



Fig. 1 Structure of the buggy

The wheelchair consists on¹:

1. Push handle
2. Back plate
3. Seat
4. Head supports
5. Side supports
6. Hip supports
7. Roll bar
8. Frame

¹ The equipment of wheelchair is available depending on the Continent, Country.

9. Front wheels, Rear wheels
10. Parking brake
11. Rear shock absorbers
12. Footrest
13. Vest
14. Pelvic belts
15. Basket
16. Canopy
17. Leg cover
18. Rain cover
19. Bag
20. Umbrella
21. Table

6. Detailed mounting description of Baffin Buggy



For safety reasons, your buggy is supplied in two parts: the frame of the buggy (8), and the seat (3). To install the seat, you should:

STEP 1. Unfold the frame (8) (→ See 8.1, p. 12)

STEP 2. Attach the seat (3) to the frame (8) so that the mounting bars are in the seat holders, *Fig. 2*. You need to push it until it snaps.



Fig. 2 Seat attachment



NOTE! YOU NEED TO WORK WITH THE SEAT UNTIL YOU HEAR A DEFINITE SNAP—THE SOUND PROVES THE ATTACHMENT WAS DONE PROPERLY.



Fig. 3 The structure of the buggy allows you to attach the seat either facing or back to the direction of travel

7. Moving the Baffin Buggy



For safety reasons, the buggy must be moved with its parts, separately the seat and separately the frame.



Fig. 4 Correct manner of moving the buggy



Fig. 5 Incorrect manner of moving the buggy



NOTE! AFTER EVERY SINGLE ADJUSTMENT, YOU NEED TO MAKE SURE THAT ALL THE COMPONENTS ARE CORRECTLY POSITIONED AND LOCKED.

8.1 Unfolding the buggy's frame



Fig. 6 Unfolding the buggy's frame

Fig. 7 Lock

You need to set the frame vertically *Fig. 6*, *Fig. 7* unlock it and pull the handle forcefully, until you hear a snap.

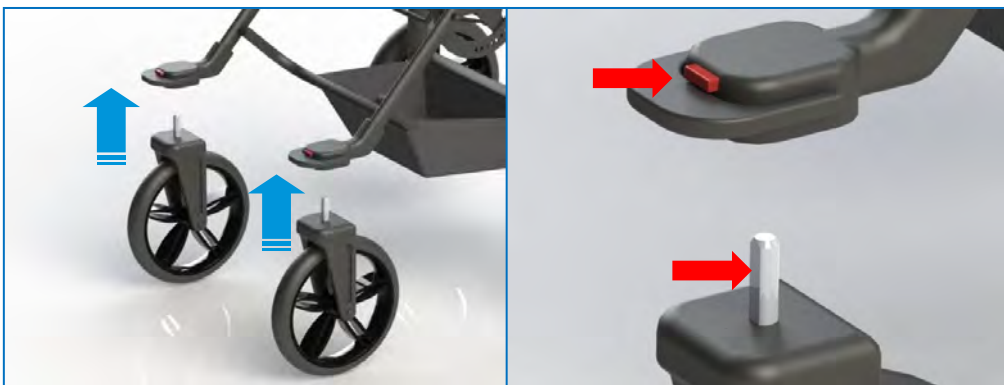


Fig. 8 Mounting front wheels

Fig. 9 Front Wheel bolts

Lift the front part of the buggy, *Fig. 8*, and install the front wheels: make sure that the flat surfaces of the bolts are directed towards the front of the buggy, *Fig. 9*. To remove the wheel, press the red bolt release button.



Fig. 10 Direction lock

You can see direction locks on the front wheels in the straight-ahead position. To use them, you need to pull the lever and turn it down. By lifting the lever up, you can easily change direction, Fig. 10.

8.2 Folding the buggy's frame



Fig. 11 Wheel dismounting

Raise the buggy and remove the front wheels, by pressing the red button at each wheel – Fig. 11.



Fig. 12 Removal and installation of rear wheels

Easy and safe removal and installation of wheels is possible due to application of a special mechanism. To release a wheel press a pin located in a wheel hub with your thumb inwards and remove the entire wheel from the axis. Follow the same steps with installation – press a pin and place the wheel on the axis, Fig 12.

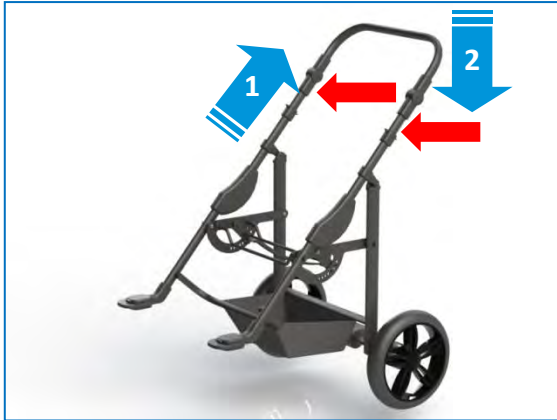


Fig. 13 Folding the Frame

Pull the handholds on both sides, and then push the handle down and fold the frame until the lock engages, Fig. 13.

8.3 Parking brake



Fig. 14 Parking brake

The rear wheels lock is activated with a lever on the cross-bar, right on the back of the frame. By pressing it, you lock the rear wheels, by lifting it up, you release the break, Fig. 14.



NOTE! YOU SHOULD INSPECT THE BRAKE AT REGULAR INTERVALS AND REMOVE POTENTIAL DIRT AND MUD.



NOTE! YOU SHOULD BE CAREFUL CROSSING THE THRESHOLD.



NOTE! STABILITY OF THE STROLLER MAY BE AT RISK IN THE EVENT OF UNEXPECTED PUSH, TILTING OR LEANING ON IT.

8.4 Back plate angle adjustment



Fig. 15 Back plate

Lift the lever on the back of the seat and move it to set the appropriate seat-back angle up to 20° ÷ 90° Fig. 15.

8.5 Push handle adjustment

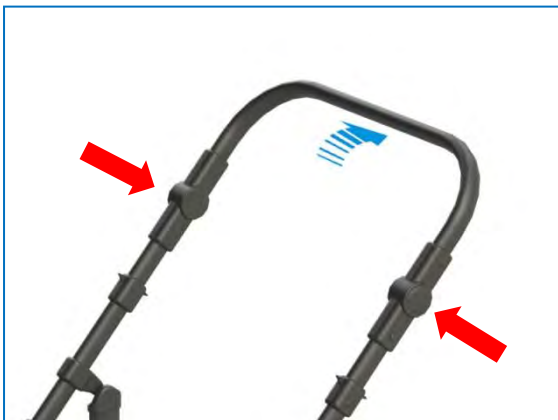


Fig. 16 Push handle

Press the height control buttons simultaneously, set the bar to the desired height. Next, move it up and down until button lock clicks (Fig. 16). You can adjust the height of the handle up to 85 ÷ 117 cm above ground .



NOTE! PLEASE NOTE THAT EVERY SINGLE THING YOU PUT ON THE HANDLE AFFECTS THE STABILITY OF THE BUGGY.

8.6 Seat angle adjustment



Fig. 17 Seat angle release



Fig. 18 Seat angle adjustment

Hold the seat, pull the control line for releasing the locking device, *Fig 17*, while positioning the seat angle from 15° in the driving direction to 45° in the opposite direction *Fig. 18*.



NOTE! DUE TO A VERY HIGH DEGREE OF ADJUSTABILITY OF THE BUGGY, THERE IS A POSSIBILITY TO SET A POSITION, WHERE THE HEAD IS PLACED BELOW THE PELVIS. IT IS FORBIDDEN TO USE THAT POSITION, BECAUSE IT MAY LEAD TO REGURGITATION OR CHOKING.

8.7 Seat depth and hip supports adjustment



Fig. 19 Seat locking knobs

Loosen all locking knobs *Fig. 19*.



Fig. 20 Seat depth adjustment

Pull the seat base to a desired position, *Fig. 20* and then tighten the knob (1) until there is noticeable resistance. *Fig. 19*. It is possible to adjust seat depth up to: 20 ÷ 30 cm.



Fig. 21 Hip supports adjustment

Before re-locking the other knobs *Fig. 19*, slide apart/ slide hip supports. Their design allows an inclination to ensure the right tight pulling angle *Fig. 21*. It is possible to control the hip supports up to 17 ÷ 30 cm.

8.8 Footrest height adjustment



Fig. 22 Footrest height adjustment

Loosen the locking knobs *Fig. 22*, set the desired height of the footrest and tighten the locking knobs. It is possible to set footrest height in the range: 16 ÷ 35 cm.



NOTE! THE FOOTREST ONLY SUPPORTS THE FEET, YOUR CHILD SHOULD NOT STAND ON IT.

8.9 Side supports adjustment

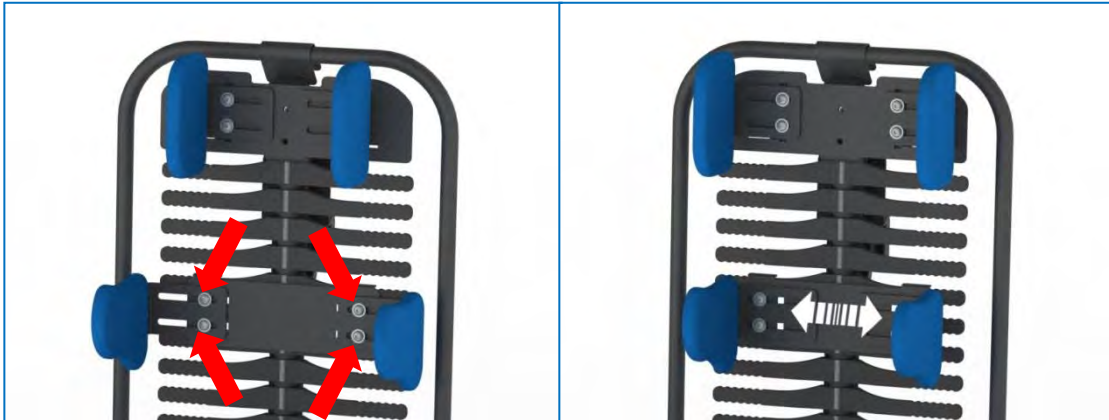


Fig. 23 Width adjustment

Loosen the screws with the no. 4 allen wrench, move the supports up to: 15 – 27 cm and Re-lock it, by tightening the screws. *Fig. 23.*



Fig. 24 Height adjustment

To adjust height, you need to remove locking screws completely and relocate the supports platform on the right part of the spine. Next, you need to tighten the platform with locking screws. *Fig. 24.* It is possible to adjust side supports up to: 17 ÷ 30 cm.

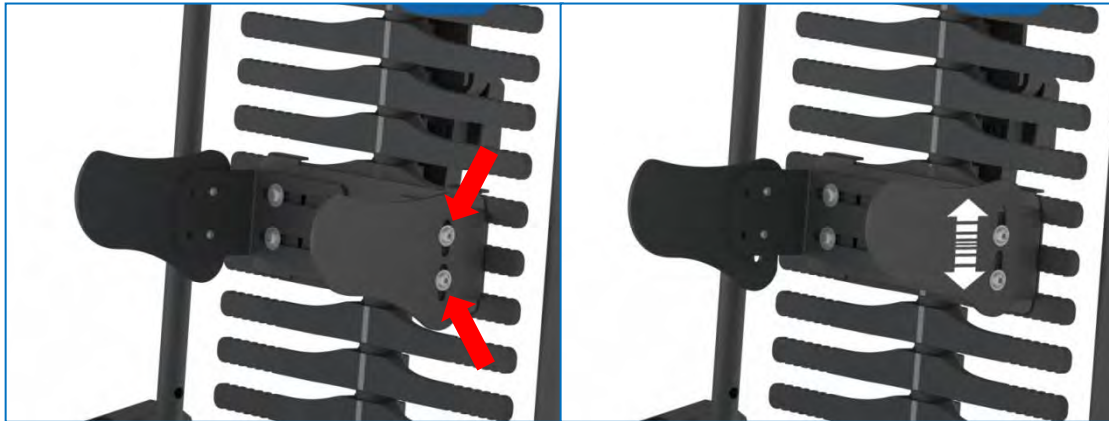


Fig. 25 Asymmetrical height adjustment

For asymmetrical height adjustment of your side supports, you need to loosen the locking screws and set the desired height of the supports. *Fig. 25*. Next, tighten the locking screws. Maximum height difference is 20 mm.

8.10 Head supports adjustment



Fig. 26 Head supports adjustment

Loosen the locking screws and adjust the head supports width. *Fig. 26*. Next, tighten the locking screws. You may also adjust height of the supports, by placing them in the right hole in the plate. It is possible to adjust head supports spacing up within the scope between: 16 and 22 cm.

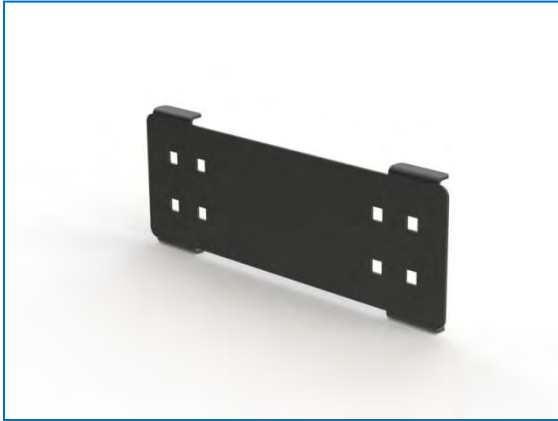


Fig. 27 Additional adapter

You can install head supports even Lower, using the included adapter, *Fig. 27 and Fig. 28.*



Fig. 28 Head supports installed directly at the spine support using the additional adapter.

8.11 Adjusting and removing the roll bar

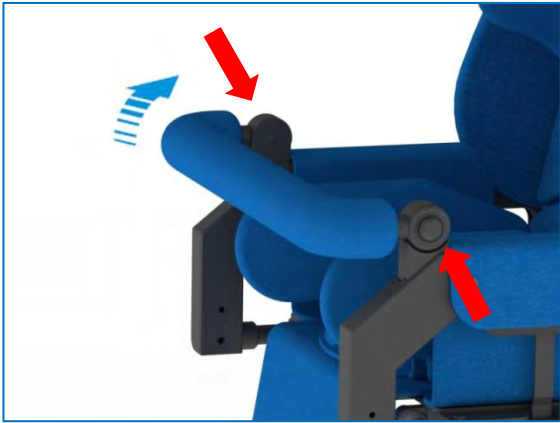


Fig. 29 Roll bar adjustment

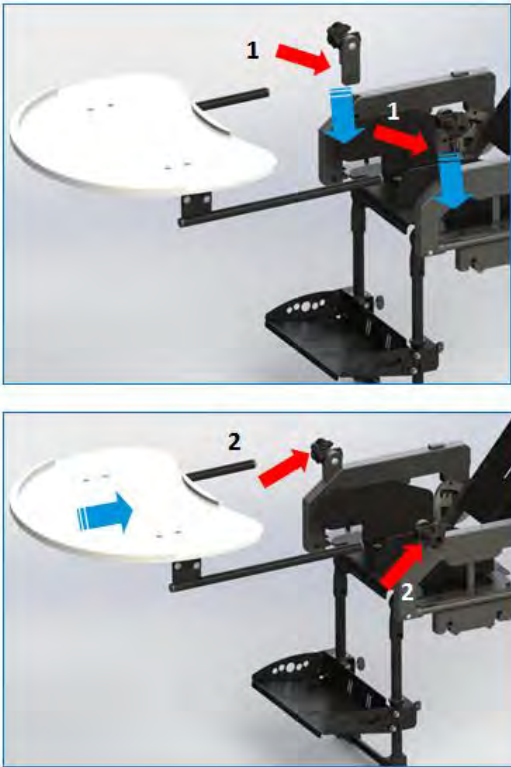
Press the buttons on both sides simultaneously and set the required roll bar position, *Fig.29*.



Fig. 30 Removing the roll bar

Press the clip, firmly grasp the bar and pull it out, *Fig. 30*.

8.12 Regulation, mounting and dismantling the tray table



Rys. 31 Mounting the tray table

To mount the table, insert the table fastening adapters 1, then slide in the table using the tubes into the adapters. Tighten the knobs 2, to prevent the table from slipping out.



Fig. 32 Table Angular Adjustment

Angular adjustment of the worktop is made by loosening the two screws located above the table holders below the worktop. After obtaining the desired angle of inclination, tighten the screws. The adjustment screws are located on the left and right side of the table.

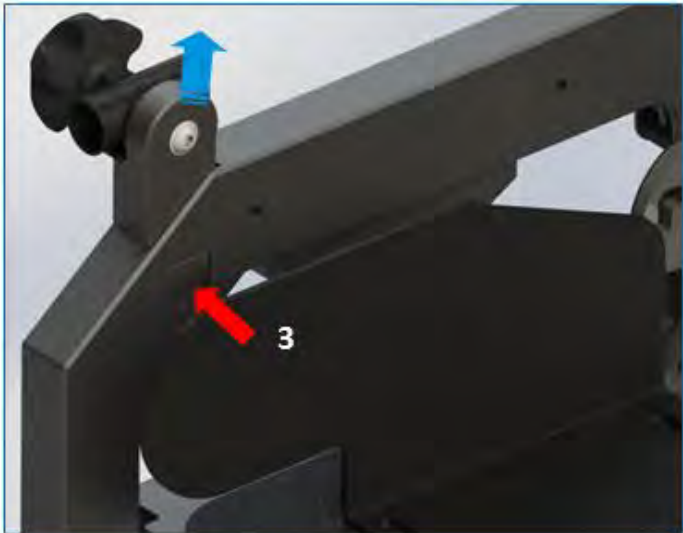
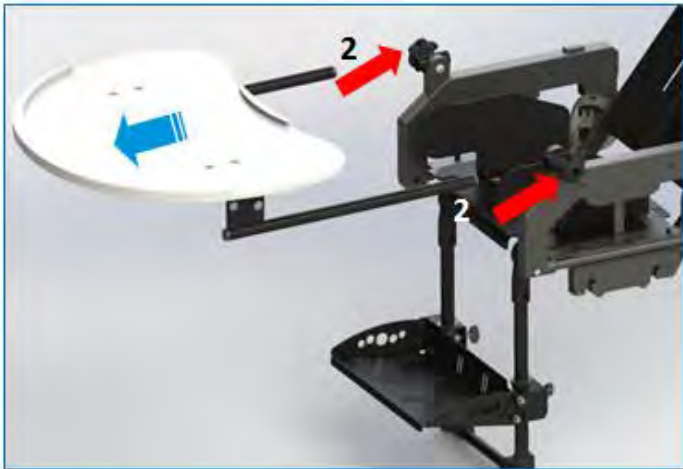


Fig. 33 Dismantling the table

To remove the table, unscrew the knob (2) Fig. 33, then pull out the table. To remove the adapter, press the button (3), then pull up the adapters on both sides of the seat.

8.13 Mounting the rain cover



Fig. 34 Mounting the rain cover

Fasten the rain covers using the elastic edge by placing it behind the back support (1) and the footrest (2).

8.14 Mounting the leg cover



Fig. 35 Mounting the leg cover

Push the leg cover under the seat upholstery and fasten using the Velcro (1), fasten the buckle (2) covering the push chair's footrest. After placing the baby in the stroller, fasten the buckle (3) circumscribing the strap behind the back rest.

8.15 Mounting the Umbrella



Fig. 36 *Mounting the Umbrella*

Umbrella should be fixed with the clamp (1). Place the clamp on the buggy's frame and tighten the knob (2). To change the angle of the umbrella, unscrew the knob (3), adjust the angle of the umbrella, and then tighten the knob again (3).

8.16 Mounting and dismantling the Canopy



Fig. 37 *Mounting and dismantling the canopy.*

Canopy latches (1) should be inserted into the socket boxes on both sides of the seat. In order to dismantle canopy, press the latch lock (2) on both sides of the seat, and then pull out the canopy upwards.

8.17 Footrest adjustment



Fig. 38 Footrest angle adjustment

Loosen the screws, set the right angle and re-lock the screws. *Fig. 38*. It is possible to adjust the footrest angle up to: $0^{\circ} \div 20^{\circ}$.

8.18 Footrest supporting legs adjustment



Fig. 39 Footrest supporting legs angle adjustment

Press the two release buttons at the same time *Fig. 39* then adjust the angle of the footrest brackets in the range: $0 - 90^{\circ}$.

8.19 Adjusting the backrest



Fig. 40 Backrest lock

Loosen the clamp screw using no. 4 allen wrench (1) and the adjusting screw (2) with no. 13 wrench. After getting the required shape, tighten the screws. *Fig. 40.*



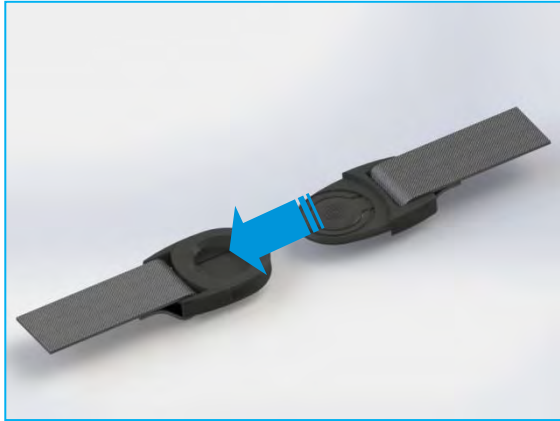
NOTE! BACKREST ADJUSTMENT SHOULD NORMALLY BE DONE AFTER CONSULTING A DOCTOR OR PHYSIOTHERAPIST.

8.20 Vest attachment and adjustment



Fig. 41 Vest attachment

Choose the backseat element to attach the upper straps of the vest, *Fig. 41*, at a child's shoulder level. Next, put them in through the holes in the upholstery. Put the clips on the end of the straps.



The vest should be fastened after the child has taken the seat, slide the clips until you hear a click.
Fig 42.

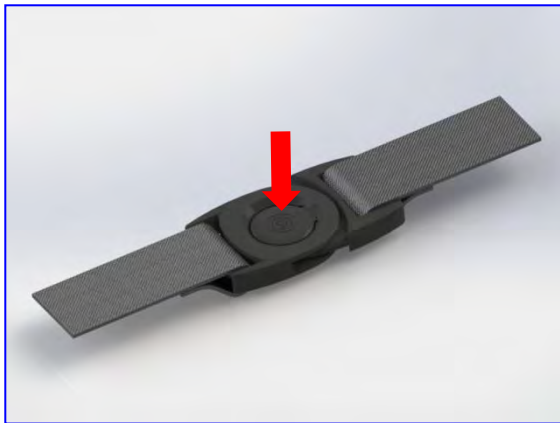


Fig. 43 Clips unfastening

To unfasten the vest, press it right in the middle to unlock the clip. *Fig. 43.*

You control the vest by adjusting the length of the fastening straps. Proper adjustment of the vest should provide the right stability of the child's body, but it should not cause any discomfort.



NOTE! ALWAYS MAKE SURE YOU FASTEN THE CLIPS PROPERLY, USING ALL FOUR CLIPS, BECAUSE OTHERWISE, A LACK OF FASTENING MAY CAUSE THE CHILD TO FALL OUT OF THE BUGGY .

8.21 Mounting the pelvic belts



Fig. 44 Mounting pelvic belts

Fixation of the pelvic belts is done without the back upholstery. Pelvic belts (1) is placed behind the last module of the spine, after setting up the back upholstery. Strap (2) is permanently sewn to the back upholstery, and is fixed to pelvic belts using buckle (3).



Baffin Buggy is a mechanical device with a supporting structure made of steel and aluminum, covered with a varnish coat. Foam-sponge inserts are connected to the structure. Foams are covered with a dust cover made from textile materials. None of the coatings cause skin irritation. Baffin Buggy, like any other medical device, should be kept in necessary purity and used in accordance with the manufacturer's instructions.

- Varnish coats and dust covers made from textile materials, should be cleaned with a cloth dampened with water. It is allowed to use mild detergents or enzymatic cleaning agents. Clean this if necessary with a vacuum cleaner or a soft brush
- It is allowed to clean the foam- sponge inserts with a cloth dampened with water and with mild detergent. After carrying out this action, the insert shall be thoroughly dried at room temperature.



NOTE! THE BAFFIN BUGGY UPHOLSTERY SHOULD BE COMPLETELY DRY BEFORE BEING USED AGAIN.

- You should protect the frame regularly, remove dirt and mud regularly.
- Do not use chemicals.
- Do not wash the upholstery in a washing machine.
- You should avoid avoiding direct sunlight and check the seat temperature before putting the baby inside.



NOTE! BAFFIN BUGGY SHOULD BE SERVICED AT LEAST ONCE A YEAR (EVERY 12 MONTHS) BY A QUALIFIED SERVICE TECHNICIAN. IT IS NECESSARY TO CARRY OUT PERIODIC INSPECTION OF THE BUGGY – MOVING PARTS, LOCKING MECHANISM, ADJUSTMENT FUNCTIONS. PERIODIC REVIEW OF THE DEVICE ENSURES A LONG AND TROUBLE-FREE OPERATION.

10. Warranty/Service



Should you notice any faults or defects, you should stop using the buggy immediately and contact your dealer or manufacturer. Defective unit must be protected against enlarging the area of damage. Never attempt to disassemble or repair the product. Do not replace original parts with the ones coming from a source other than the manufacturer recommends.

If the user decides not to continue using the product it is bound to its disposal in accordance with the applicable environmental regulations.

The economic lifetime of the product is five years.

The manufacturer provides post – warranty service. Contact details:

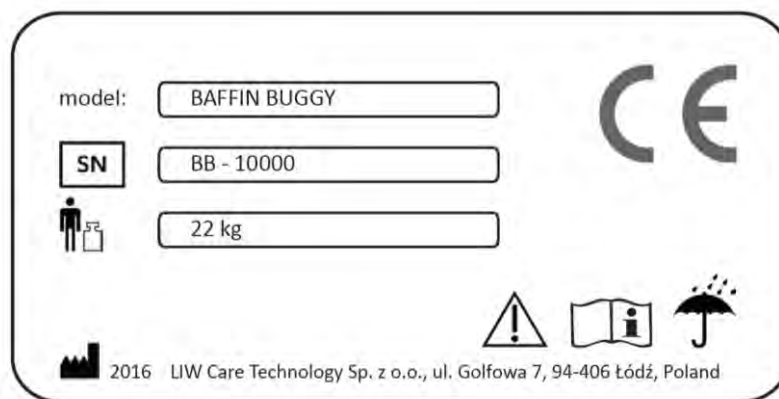
LIW Care Technology Sp. z o.o., ul Golfowa 7, 94-406 Łódź, Poland.

biuro@liwcare.pl

Current contact details are available on: www.liwcare.pl

Warranty terms are specified in the warranty card, which is an integral part of this statement. The warranty card is available on the last page of this document.

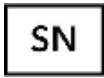
11. Identification plate



12. Symbols meaning



Manufacturer's name and date of manufacture



Serial Number



User's permissible weight



Note! Follow product instructions



Avoid contact with water



Unlocking direction



Movement direction



Mark of conformity in accordance with EU Directive 93/42 EEC Annex. VII, concerning medical devices

13. Compliance with the safety requirements for medical devices



Baffin Buggy meets the essential requirements of the MDD 93/42 EEC + 2007/47 / EC for medical devices.

Baffin Buggy, in accordance with Annex IX of the MDD 93/42 EEC is non-invasive non-active I class medical device according to rule 1.

The Declaration of Conformity for this product can be found in manufacturer's Sales Department.

WARRANTY CARD

Warranty terms:

1. Manufacturer of medical device - LIW Care Technology Sp. with o.o (ul. Golfowa 7, 94-406 Łódź, Poland) ensures that the company sells an operative device, free from construction, installation, material defects, etc., and that the device will remain free from such defects during the warranty period. This warranty does not cover usefulness of the product for the Buyer purposes.
 2. LIW Care Technology Sp. z o. o. (the manufacturer) grants a two-year warranty for the equipment, starting from the initial purchase date.
 3. The only proof of warranty is this warranty card, issued by the Seller to the Buyer. To transfer warranty entitlements, you need to transfer the possession of this warranty card.
 4. In case of finding any faults or defects during the warranty period - the manufacturer will remedy the defect at his own cost. If parts are replaced, the removed part shall become the property of the LIW Care Technology Sp. z o. o. and shall not be returned to the warranty user.
 5. Under the warranty, the user is obliged to report physical product defect during the warranty period via a form on our website: www.liwcare.pl, following prior logging to the "customer zone" by post LIW Care Technology Sp. z o. o. or by phone: +48 42 212-35-18
 6. Under the warranty, the user is obliged to deliver the equipment with warranty card and along with the original document of purchase (VAT invoice or receipt) at the expense of the manufacturer to his seat. when there is no receipt, the initial purchase date (the start of the warranty period) shall be the date of manufacture.
 7. This warranty does not cover:
 - waste elements and destroyed or damaged parts due to improper use (in particular, but not exclusively due to improper instructions issued or under unfavorable conditions), or improper storage of the product,
 - damage caused by any alterations or additions to the device made by the user or a third parties,
 - damage caused by improper cleaning or maintenance of the product made by the user or a third party,
 - damage caused by normal wear and tear or normal aging of the product,
 - damage caused by user's lack of negligence (particularly, but not exclusively, in maintenance and cleaning of the product),
 - damage caused by force majeure,
 - damage caused by external events (pollutions, mechanical and water damage).
 8. The warranty does not include does not include regulation and adjustment during the warranty period, because they do not constitute a product defect.
 9. In order to qualify for the above warranty, you need to deliver the product which is securely enclosed in packaging to the manufacturer. To do that, use the original packaging. If the user do not deliver the product In the original packaging, his replacement packaging must satisfy the following requirements: solid box with intact walls, separate protection for each component, cushioning material, strong tape used for wrapping, as well as sender address or receiver (LIW Care Technology Sp. z o. o.) address.
- LIW Care Technology Sp. z o. o. shall not be held liable for product damage caused by insufficient packaging.
10. Warranty Repair or replacement will be made as far as possible within 30 days from the proper delivery of the product by the warranty user to LIW Care Technology Sp. z o. o
 11. After warranty repair, the product will be delivered at the expense of LIW Care Technology Sp. z o. o., to the supplied address. In the event when a correctly addressed package is not collected, the warranty user is obliged to shall bear all costs related to the product transport and its storage.
 12. Quality warranty granted by LIW Care Technology Sp. z o. o. does not affect any legal rights of the Buyer.

Thank you for choosing our product. We wish you success in therapy with our equipment.

**NOTE!
KEEP THE WARRANTY CARD IN A SAFE PLACE**

LIW Care Technology Sp. z o. o. will require providing this document before accepting the warranty repair.

Product name/TypeSerial number:.....

Sold-by date:.....

Stamp and signature of the Seller:

No.	Date of repair request	Procedures	Repair completion date	Stamp and signature of the technician
1				
2				
3				
4				