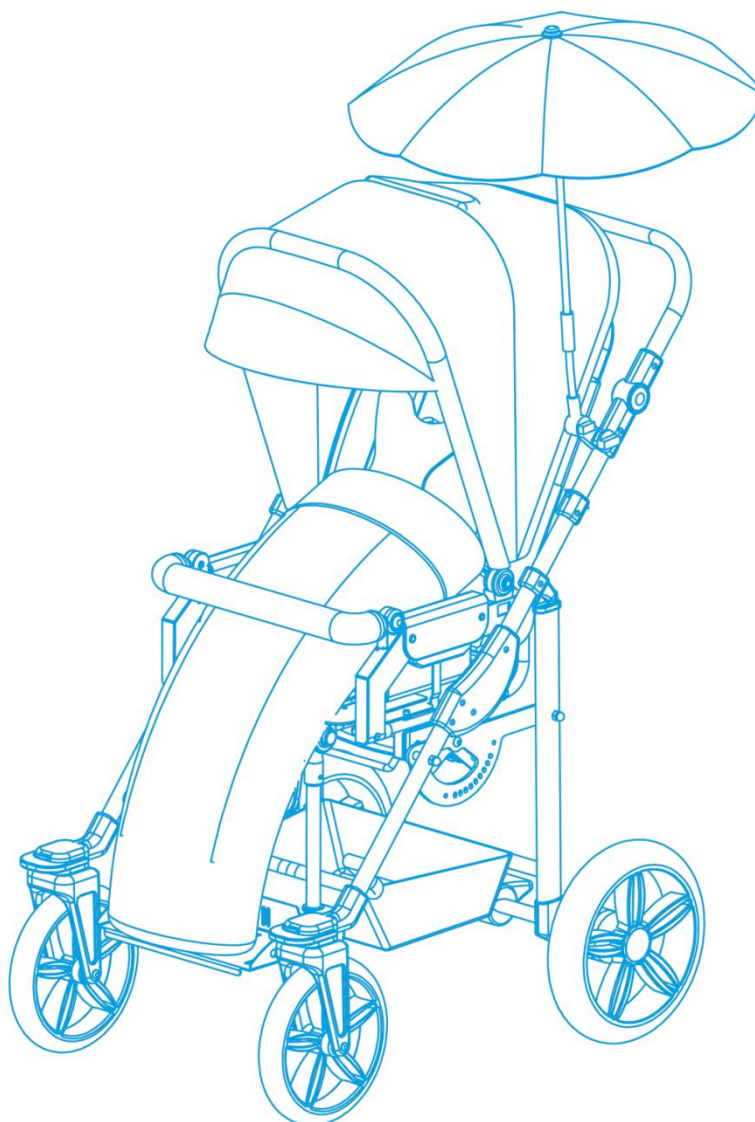
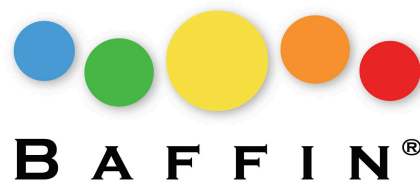


USER MANUAL FOR  
**MODI**  
**BUGGY™**



*Sizes: MINI, STANDARD*



*Edition 7 – 2017-05-08*



**NOTE! THE MANUFACTURER IS SOLELY RESPONSIBLE ONLY FOR THE EQUIPMENT PURCHASED FROM A DIRECT REPRESENTATIVE OF BAFFIN TECHNOLOGY SYSTEMS LIMITED.**



1.	Introduction .....	3
2.	General safety standards .....	4
3.	Indications for product use .....	5
4.	Weight and dimensions .....	6
5.	Structure of Modi Buggy .....	8
6.	Detailed mounting description of Modi Buggy .....	10
7.	Lifting Modi Buggy .....	11
8.	Detailed structure and adjustment description of Modi Buggy .....	12
8.1	Unfolding the buggy's frame .....	12
8.2	Folding the buggy's frame .....	13
8.3	Parking brake .....	14
8.4	Back plate angle adjustment .....	15
8.5	Push handle adjustment .....	15
8.6	Seat angle adjustment .....	16
8.7	Seat depth and hip supports adjustment .....	17
8.8	Height adjustment of the backrest .....	18
8.9	Loins support adjustment (for size MINI only) .....	19
8.10	Footrest height adjustment .....	19
8.11	Side supports adjustment .....	20
8.12	Head supports adjustment .....	21
8.13	Adjusting and removing the roll bar .....	22
8.14	Regulation, mounting and dismantling the tray table .....	23
8.15	Mounting the rain cover .....	25
8.16	Mounting the leg cover .....	25
8.17	Mounting the umbrella .....	26
8.18	Mounting and dismantling the canopy .....	26
8.19	Footrest adjustment .....	27
8.20	Footrest supporting legs adjustment .....	27
8.21	Abduction belts installation .....	28
8.22	Vest attachment and adjustment .....	29
9.	Maintenance and cleaning .....	31
10.	Warranty/Service .....	32
11.	Identification plate .....	32
12.	Symbols meaning .....	33
13.	Compliance with the safety requirements for medical devices .....	33

## 1. Introduction



Developed and created by LIW Care Technology, first-class paediatric pushchair Modi Buggy™ (hereinafter referred to as the buggy), is designed to transport children up to 30kg). Buggy Modi is designed for children with paralysis, diplegia, triplegia, tetraplegia, hemiplegia or hemiparesis. We made sure Modi Buggy™ is easy to maneuver while providing full body support, with the ability to adapt to the body shape.

We are aware of the fact that assuming sitting position by a disabled person is a very important element of psychomotor development and the opportunity for comfortable and safe movement in the open space has a huge positive impact on children and their caregivers alike. That is why, we have Modi Buggy™, which was designed to be easy to use and to dismantle. The buggy may be used both indoors and outdoors.

We pay special attention to high quality of our products, that is why we would like you to read these user instructions thoroughly – this will ensure a safe use of this product, it will affect its efficiency and it will allow you to take full advantage of Modi Buggy™.

Please keep these instructions in a safe place, so that they are available if required. These instructions are intended to be read by persons responsible for taking care of disabled children.

## 2. General safety standards



For LIW Care Technology Sp. z o. o., the most important thing is to protect children who use our equipment. For ensuring the safe use of Modi Buggy™, the following recommendations should be adopted:

1. Please read the Instructions before the first use. In case any questions or doubts should arise, please contact your dealer or the manufacturer. Contact details are available via our website: [www.baffin.co.uk](http://www.baffin.co.uk)
2. Please make sure that all the information, tips and warnings contained in these chapters are fully understood.
3. Never leave your child in the buggy unattended.
4. Improper use of the buggy may endanger human health or cause injuries.
5. While using and operating the buggy, as well as during its setting and adjusting the mechanisms, you should pay close attention to moving parts which create risk of trapping the body in holes or in between the elements. Following every single adjustment, you must stabilize its position by carefully tightening screws and ensuring that all the components are correctly positioned and locked.
6. If a child is in the buggy, make sure it is properly secured by belts and a vest.
7. Modi Buggy™ can be used by one person at a time.
8. It is forbidden to transport the baby in Modi Buggy™ while using the public and private transport, ie. bus, tram, trolley bus, train.
9. It is forbidden to transport the baby in Modi Buggy™ while driving a car – the seat of the buggy is not a car seat. The child cannot stay in the seat while driving.
10. There is a pocket in the backseat with all the tools that are needed to carry out the adjustments: Allen key no. 4, flat key (10 mm).
11. It is forbidden to drive up and drive the buggy down stairs with both the child and without the child.

In these instructions for LIW Care Technology Sp. z o. o. products, you will find information marked with the "NOTE!" symbol. It is used to draw the reader's particular attention to the text. It looks as follows:



**NOTE! THE SYMBOL IS USED TO DRAW THE READER'S ATTENTION TO THE TEXT WHICH IS MARKED WITH THIS SYMBOL. FAILURE TO COMPLY WITH THE INSTRUCTIONS MAY ENDANGER THE HEALTH AND SAFETY OF THE USER OR IT MAY DAMAGE THE PRODUCT.**

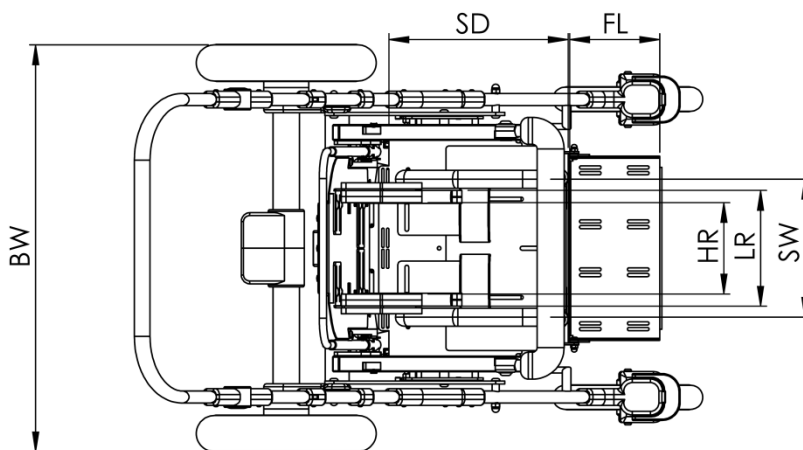
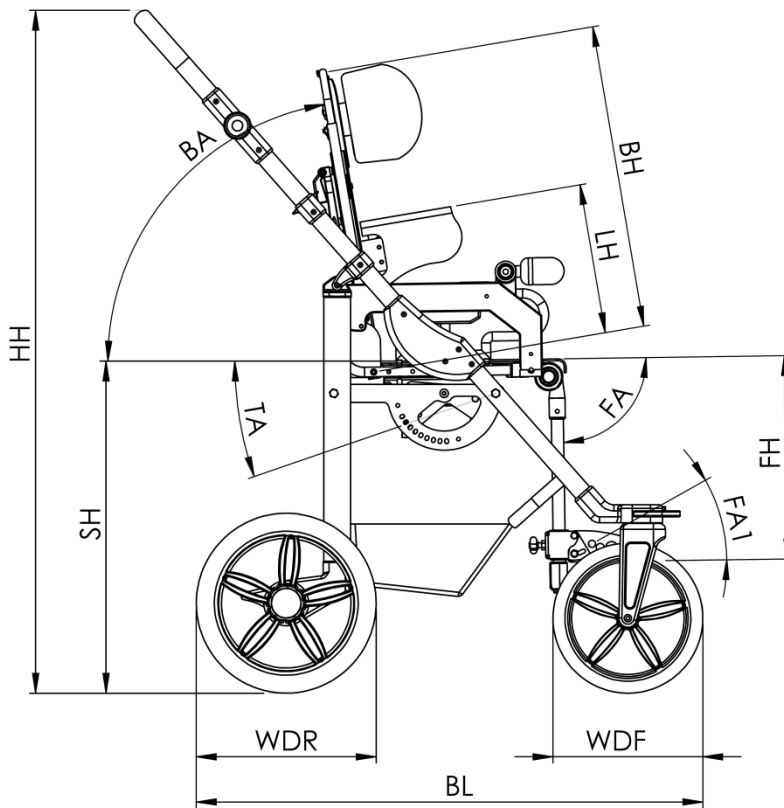
### 3. Indications for product use



Modi Buggy, medical device, is designed for children suffering from paralysis, diplegia, triplegia, tetraplegia, hemiplegia or hemiparesis.

It is recommended for children who have been diagnosed with:

- cerebral palsy (paralysis cerebri infantum)
- muscular dystrophies
- paralysis
- spina bifida
- myelomeningocele
- spinal injury
- traumatic brain injury
- strokes
- other medical conditions with paresis, paralysis or locomotory disabilities



No.	Dimension	Dimension symbol	Dimension [cm]	
			Size: Mini	Size: Standard
1	Pelvic support spacing (seat width)	<b>SW</b>	15÷28	17÷30
2	Seat depth	<b>SD</b>	17÷28	27÷36
3	Turning angle	<b>TA</b>	-45°÷15°	-45°÷15°
4	Back height	<b>BH</b>	44,5÷60	50÷65
5	Back-support angle	<b>BA</b>	20°÷90°	20°÷90°
6	Side supports length	<b>LH</b>	14÷26	16÷30
7	Side supports spacing	<b>LR</b>	15÷27	15÷27
8	Head supports spacing	<b>HR</b>	15÷20	15÷20
9	Footrests height	<b>FH</b>	17÷36	17÷36
10	Footrest length	<b>FL</b>	15	15
11	Footrest angle adjustment	<b>FA</b>	0°÷90°	0°÷90°
12	Footrest assembly angle	<b>FA1</b>	0°÷20°	0°÷20°
13	Seat height	<b>SH</b>	59	59
14	Base length	<b>BL</b>	84	84
15	Base width	<b>BW</b>	68	68
16	Wheel diameter (front)	<b>WDF</b>	24	24
17	Wheel diameter (rear)	<b>WDR</b>	30	30
18	Handle height	<b>HH</b>	85÷117	85÷117
19	Maximum user's weight		30 kg	30 kg
20	Maximum load (user's weight + additional load)		33kg	33 kg
21	Weight of the buggy		20kg	20 kg





**Fig. 1** Structure of the buggy The

**wheelchair consists of:**

1. Push handle
2. Back plate
3. Seat
4. Head supports
5. Side supports
6. Hip supports
7. Roll bar
8. Frame
9. Front wheels, Rear wheels
10. Parking brake
11. Rear shock absorbers

12. Footrest
13. Vest
14. Pelvic belts
15. Basket
16. Canopy
17. Leg cover
18. Rain cover
19. Bag
20. Parasol
21. Table
22. Loins support (for size MINI only)

## 6. Detailed mounting description of Modi Buggy™



For safety reasons, your buggy is supplied in two parts: the frame of the buggy (8), and the seat (3). To install the seat, you should:

**STEP 1.** Unfold the frame (8) (→ See 8.1, p. 12)

**STEP 2.** Attach the seat (3) to the frame (8) so that the mounting bars are in the seat holders, *Fig. 2*. You need to push it in until it clicks in.



**Fig. 2** *Seat attachment*



**NOTE!** YOU NEED TO WORK WITH THE SEAT UNTIL YOU HEAR A CLICK . THIS MEANS THAT THE ATTACHMENT IS IN PROPERLY.

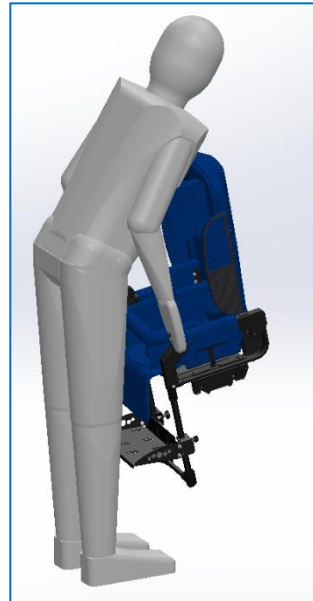


**Fig. 3** *The structure of the buggy allows you to attach the seat either forward or parent facing*

## 7. Lifting Modi Buggy



For safety reasons, the buggy must be lifted in parts; the seat and the frame separately.



**Fig. 4** Correct way of lifting the buggy



**Fig. 5** Incorrect way of lifting the buggy



**NOTE! AFTER EVERY SINGLE ADJUSTMENT, MAKE SURE THAT ALL THE COMPONENTS ARE CORRECTLY POSITIONED AND LOCKED.**

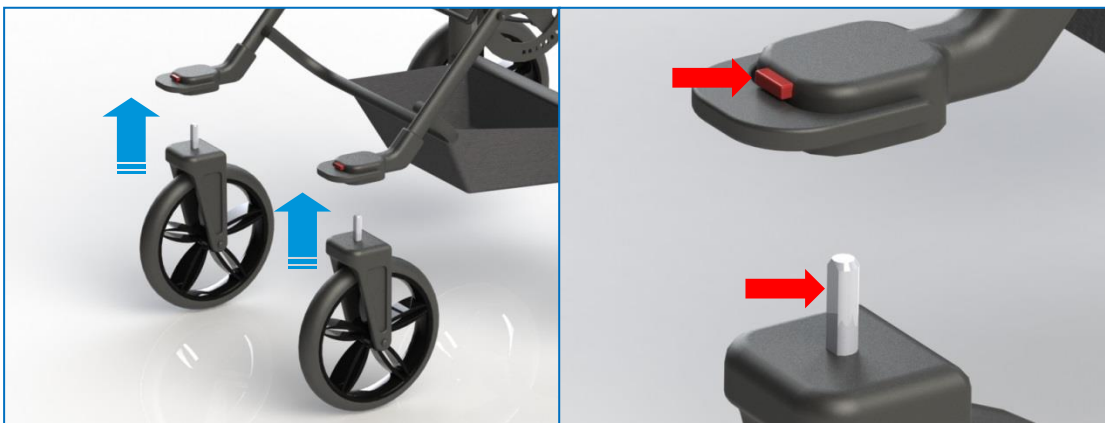
### 8.1 Unfolding the buggy's frame



**Fig. 6** Unfolding the buggy's frame

**Fig. 7** Lock

You need to set the frame vertically *Fig. 6*, *Fig. 7* unlock it and pull the handle forcefully, until it clicks in.



**Fig. 8** Mounting front wheels

**Fig. 9** Front Wheel bolts

Lift the front part of the buggy, *Fig. 8*, and install the front wheels; make sure that the flat surfaces of the bolts are directed towards the front of the buggy, *Fig. 9*. To remove the wheel, press the red bolt release button.



**Fig. 10** Direction lock

To lock the front swivel wheels, pull the lever up. To unlock the swivel wheels, press the lever down,

*Fig. 10.*

### **8.2 Folding the buggy's frame**



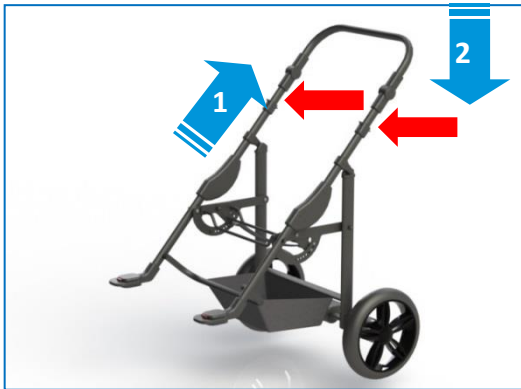
**Fig. 11** Wheel dismounting

Raise the buggy and remove the front wheels by pressing the red button at each wheel – *Fig. 11.*



**Fig. 12** Removal and installation of rear wheels

Easy and safe removal and installation of wheels is possible due to application of a special mechanism. To release a wheel, press the pin located in the wheel hub with your thumb inwards and remove the entire wheel from the axis. Follow the same steps with installation – press the pin and place the wheel on the axis, *Fig 12.*



**Fig. 13** Folding the frame

Pull the grips on each side of the handle, push the handle down and fold the frame until the lock engages, *Fig. 13*.

### 8.3 Parking brake



**Fig. 14** Parking brake

The rear wheels lock is activated with the lever on the cross-bar at the back of the frame. By pressing it, you lock the rear wheels, by lifting it up, you release the break, *Fig. 14*.



**NOTE!** YOU SHOULD INSPECT THE BRAKE AT REGULAR INTERVALS AND REMOVE DIRT AND MUD.



**NOTE!** YOU SHOULD BE CAREFUL CROSSING THE THRESHOLD.



**NOTE!** STABILITY OF THE BUGGY MAY BE AT RISK IN THE EVENT OF UNEXPECTED PUSH, TILTING OR LEANING ON IT.

#### 8.4 Back plate angle adjustment



**Fig. 15** Back plate

Lift the lever on the back of the seat and move it to set the appropriate angle of the backrest up to  $20^{\circ}$ ÷ $90^{\circ}$  Fig. 15.

#### 8.5 Push handle adjustment



**Fig. 16** Push handle

Press the height control buttons simultaneously, set the handle to the desired height. Next, move it up and down until button lock clicks (Fig. 16). You can adjust the height of the handle up to  $85$ ÷ $117$  cm above ground.



**NOTE!** PLEASE NOTE THAT EVERY ITEM YOU PUT ON THE HANDLE AFFECTS THE STABILITY OF THE BUGGY.



## 8.6 Seat angle adjustment



**Fig. 17** Seat angle release



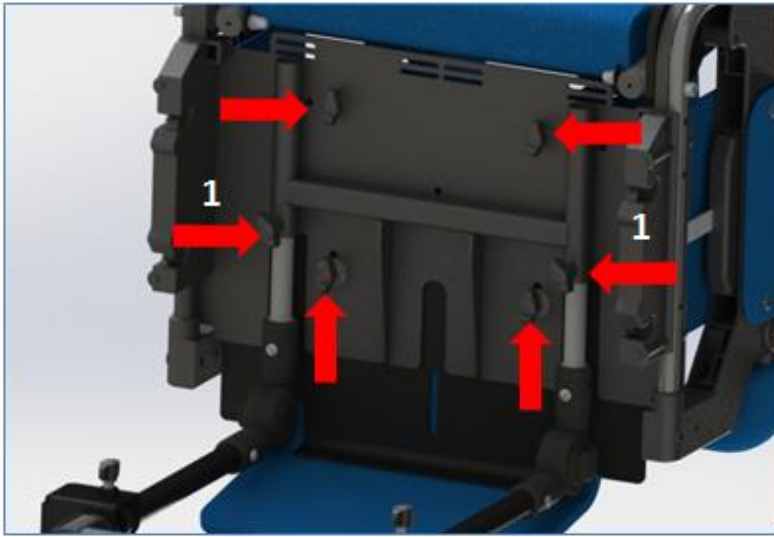
**Fig. 18** Seat angle adjustment

Hold the seat, pull the line underneath the seat to release the locking device, *Fig 17*, position the seat angle from  $15^{\circ}$  in the driving direction to  $45^{\circ}$  in the opposite direction *Fig. 18*.



**NOTE!** DUE TO A HIGH DEGREE OF ADJUSTABILITY OF THE BUGGY, THERE IS A POSSIBILITY TO SET A POSITION WHERE THE HEAD IS PLACED BELOW THE PELVIS. IT IS NOT PERMITTED TO USE THAT POSITION AS IT MAY LEAD TO REGURGITATION OR CHOKING.

## 8.7 Seat depth and hip supports adjustment



**Fig. 19** Seat locking knobs

Loosen all locking knobs *Fig. 19*.



**Fig. 20** Seat depth adjustment

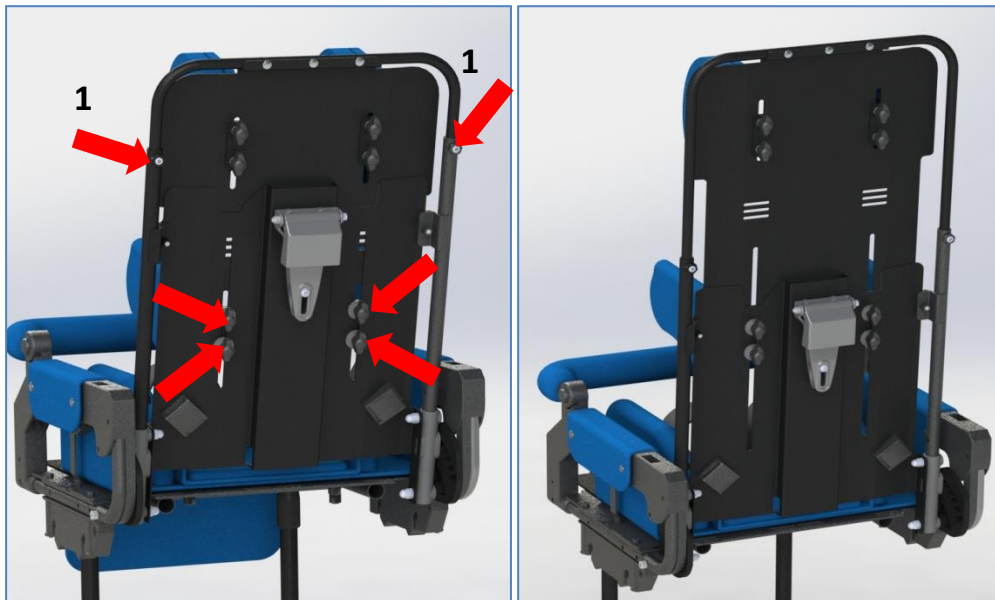
Pull the seat base to a required position, *Fig. 20* and tighten the knob (1) until there is a noticeable resistance. *Fig. 19*.



**Fig. 21** Hip supports adjustment

Before re-locking the other knobs *Fig. 19*, slide apart/ slide hip supports. Their design allows an inclination to ensure the right tight pulling angle *Fig. 21*.

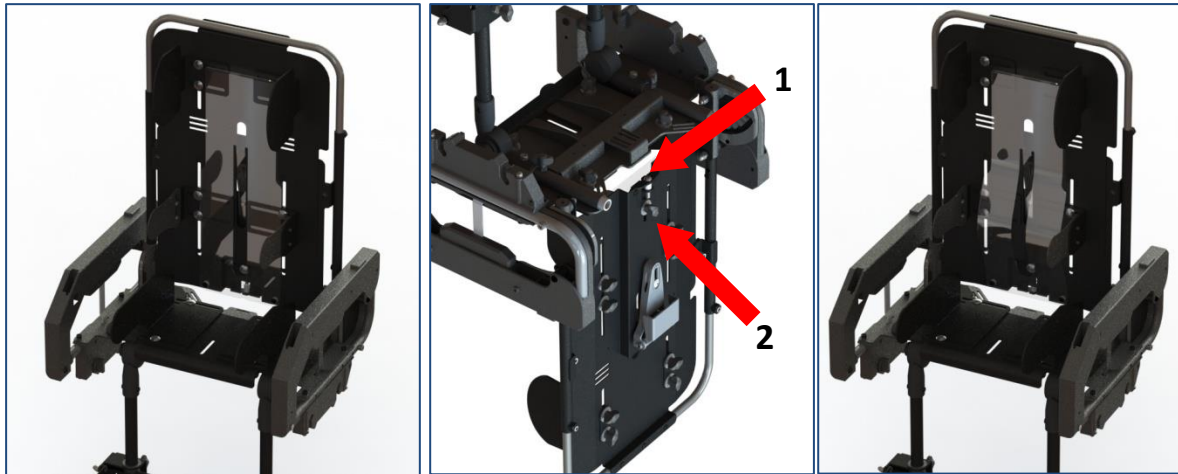
### 8.8 Height adjustment of the backrest



**Fig. 22** Backrest height adjustment

Unscrew the fixing screws (1) and the locking knobs *Fig. 22* to set the desired height of the backrest in the range of 50÷65 cm. Tighten the screws (1) and locking knobs.

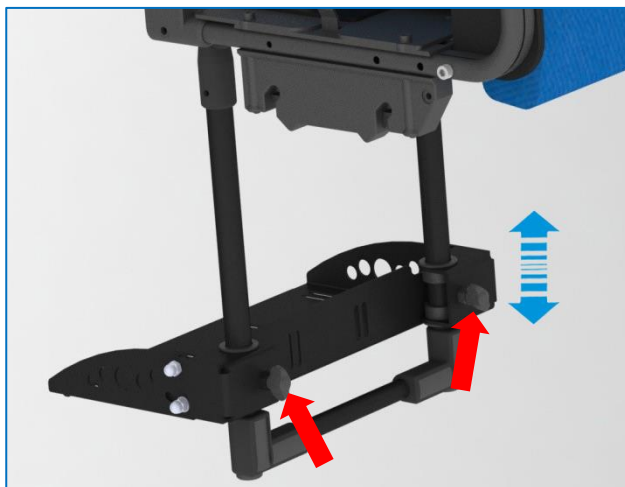
### 8.9 Loins support adjustment (size MINI only)



**Fig. 23** Loins support adjustment

Modi Buggy™ size MINI has an option of reshaping the back support. To adjust loins support, you should loosen the knob **2** (fig. 23) and next – using the Allen key 4mm – tighten the bolt **1**, until we obtain the child's back is properly supported. After adjustment, tighten the knob **2**.

### 8.10 Footrest height adjustment



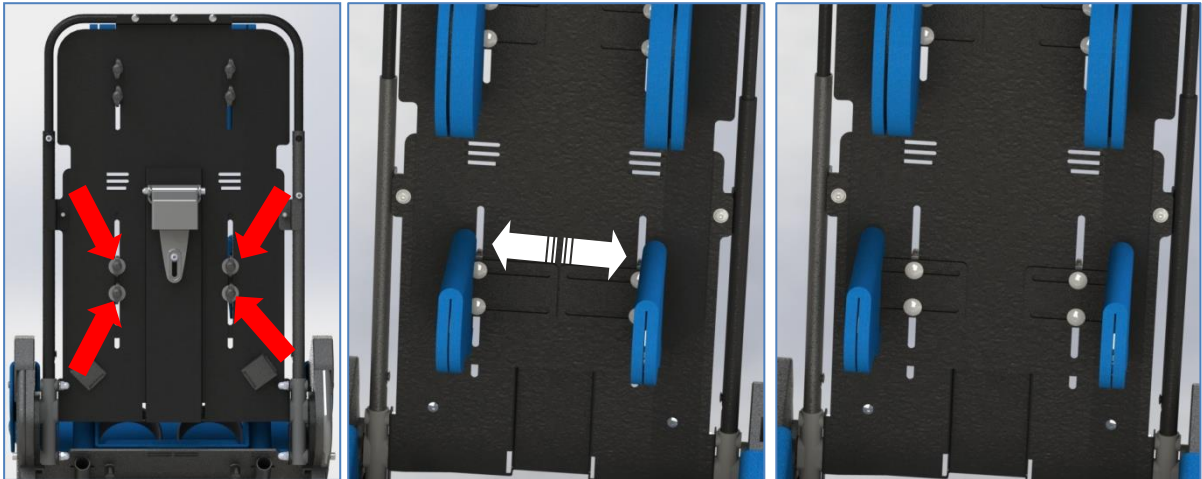
**Fig. 24** Footrest height adjustment

Loosen the locking knobs *Fig. 24*, set the desired height of the footrest and tighten the locking knobs. It is possible to set footrest height in the range 17÷36 cm.



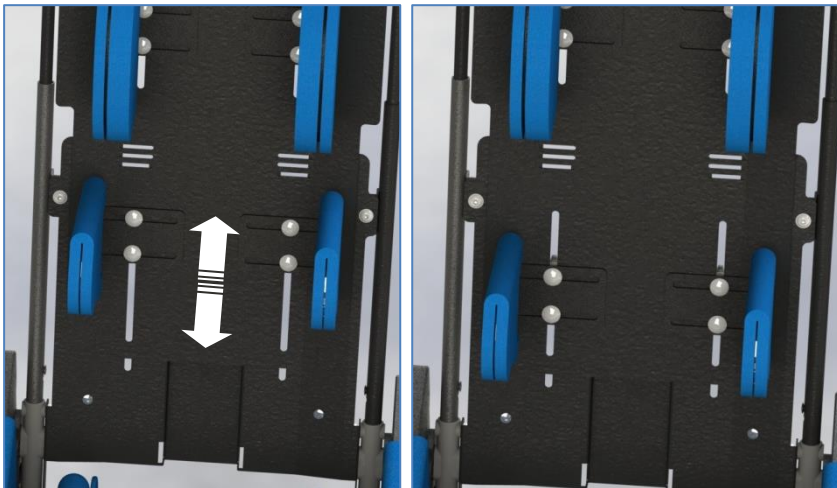
**NOTE!** THE FOOTREST ONLY SUPPORTS THE FEET, YOUR CHILD SHOULD NOT STAND ON IT.

## 8.11 Side supports adjustment



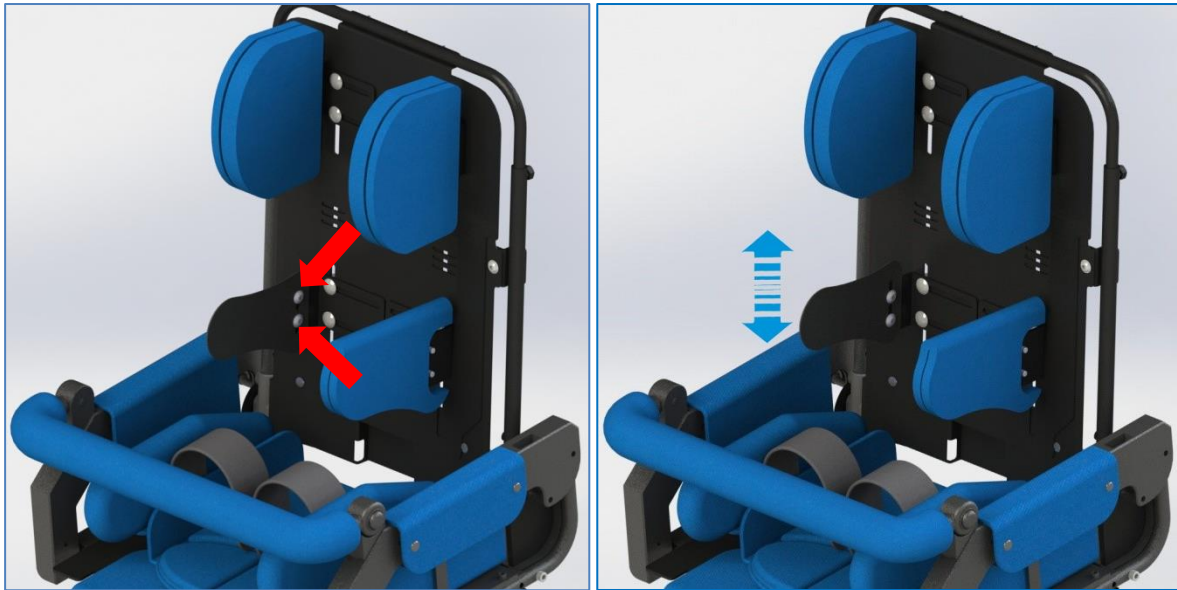
**Fig. 25** Width adjustment

Loosen the 4 knobs *Fig. 25*, move the supports up to 15÷27 cm.



**Fig. 26** Height adjustments

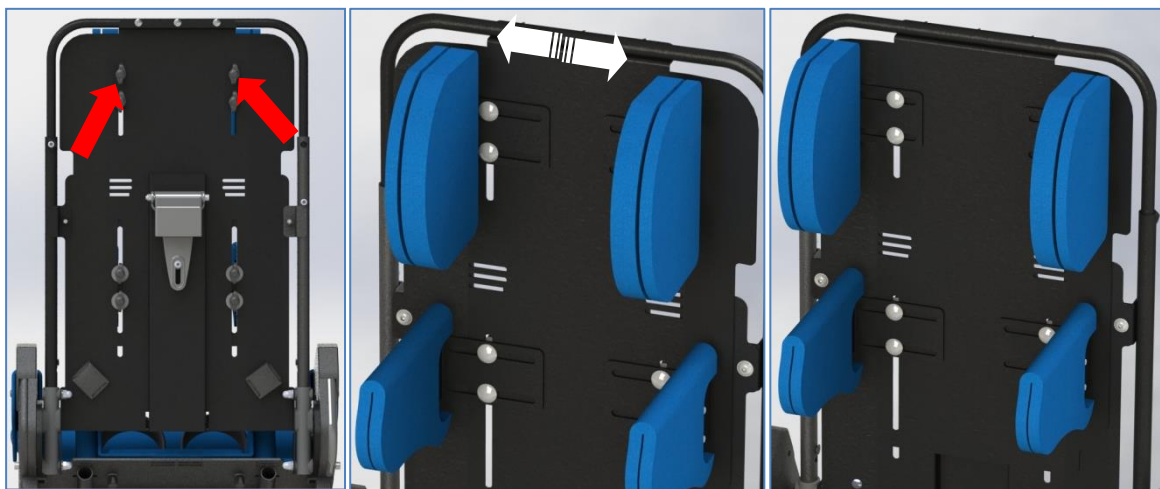
Height adjustment is possible in the range of 16÷30 cm for the Standard size and 14÷26 cm for the Mini size (*Fig. 26*).



**Fig. 27** Asymmetrical height adjustment

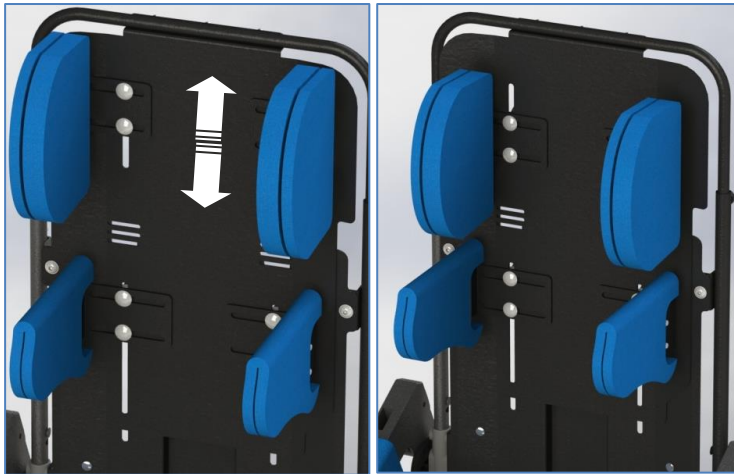
For asymmetrical height adjustment of the side supports, loosen the locking screws and set the desired height of the supports. *Fig. 27*. Next tighten the locking screws. Maximum height difference is 20 mm. Greater asymmetry can be achieved by changing the side supports height through loosening the locking knobs *Fig. 26*.

### 8.12 Head supports adjustment



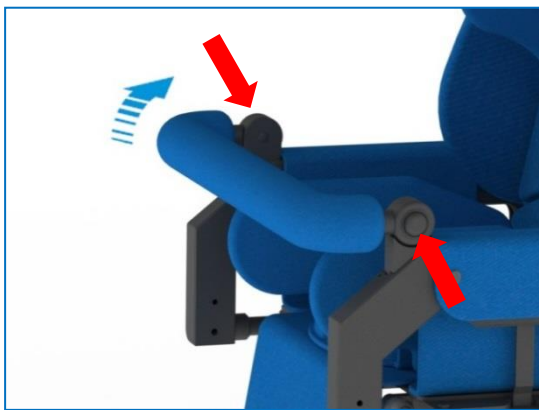
**Fig. 28** Adjusting the width of the head supports

Loosen the locking knobs *Fig. 28* and set the desired width of the head supports in the range of 15 to 20 cm and its height  $\pm 2$  cm *Fig. 28*. Tighten the locking knobs.



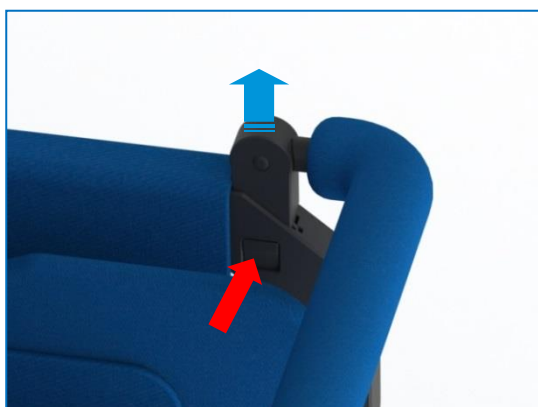
**Fig. 29** Head supports height adjustment

### 8.13 Adjusting and removing the roll bar



**Fig. 30** Roll bar adjustment

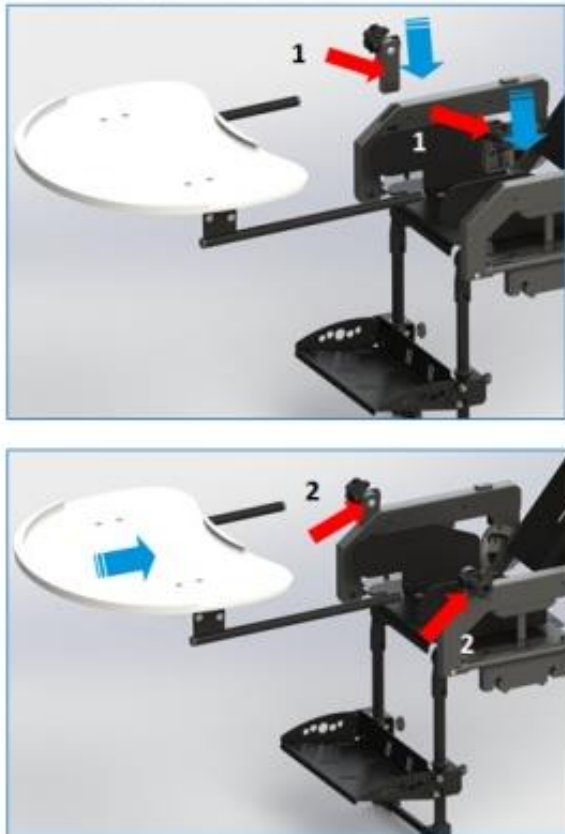
Press the buttons on both sides simultaneously and set the required roll bar position, *Fig.30*.



**Fig. 31** Removing the roll bar

Press the clip, firmly grasp the roll bar and pull it out, *Fig. 31*.

## 8.14 Regulation, mounting and dismantling the tray table



**Fig. 32** Mounting the tray table

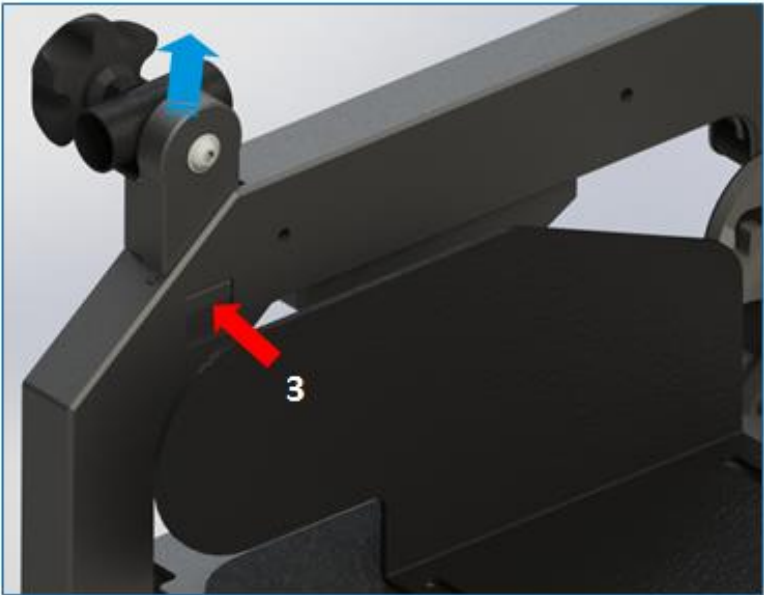
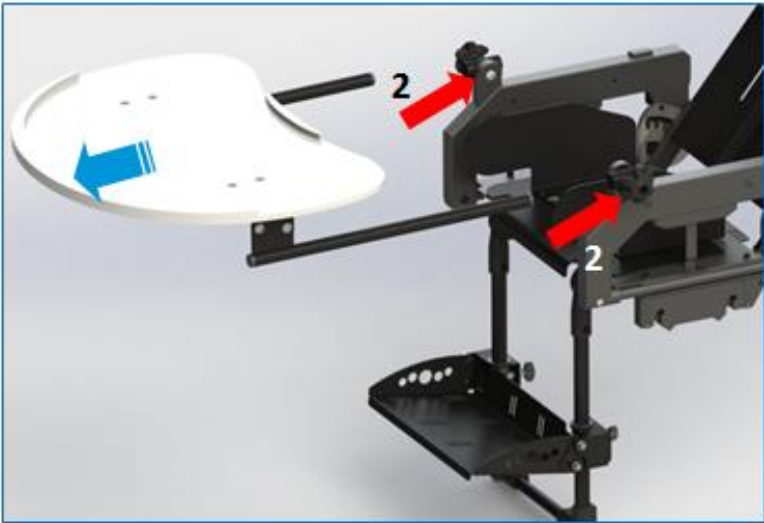
To mount the table, insert the table fastening adapters 1, then slide in the table' tubes into the adapters. Tighten the knobs 2, to prevent the table from slipping out.



**Fig. 33** Table Angular Adjustment



Angular adjustment of the worktop is made by loosening the two screws located above the table holders. After obtaining the desired angle of inclination, tighten the screws. The adjustment screws are located on the left and right side of the table.



**Fig. 34** Dismantling the table

To remove the table, unscrew the knob (2) Fig. 34 and pull the table out . To remove the adapter, press the button (3), then pull up the adapters on both sides of the seat.

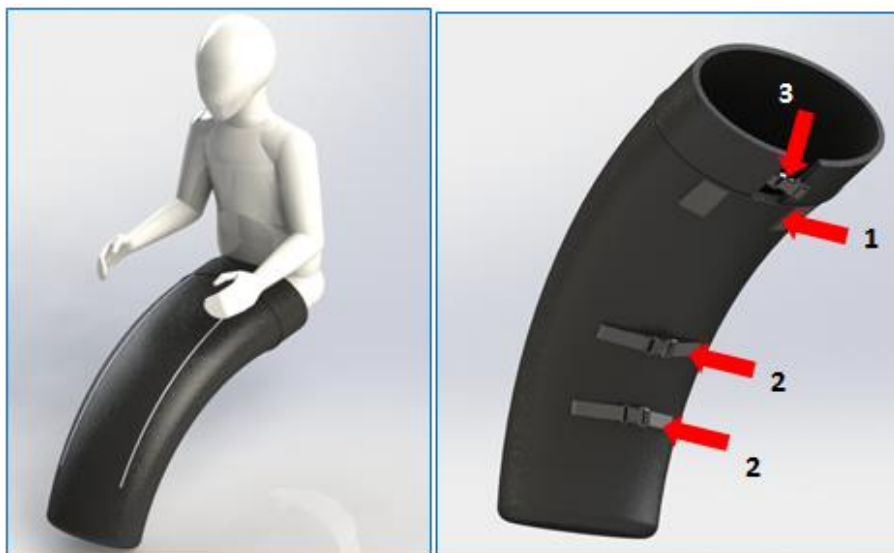
### 8.15 Mounting the rain cover



**Fig. 35** Mounting the rain cover

Fasten the rain covers using the elastic edge by placing it behind the back support (1) and the footrest (2).

### 8.16 Mounting the leg cover



**Fig. 36** Mounting the leg cover

Push the leg cover under the seat upholstery and fasten it by the Velcro straps (1), fasten the buckle (2) covering the stroller's footrest. After placing the child in the stroller, fasten the buckle (3) by strapping it behind the backrest.

### 8.17 Mounting the parasol



**Fig. 37** Mounting the Parasol

The parasol is fixed with a clamp (1). Place the clamp on the buggy's frame and tighten the knob (2). To change the angle of the parasol, unscrew the knob (3), adjust the angle of the parasol and tighten the knob again (3).

### 8.18 Mounting and dismantling the canopy



**Fig. 38** Mounting and dismantling the canopy

Canopy latches (1) need to be inserted into the socket brackets on both sides of the seat. In order to remove the canopy, press the latch lock (2) on both sides of the seat and pull out the canopy upwards.

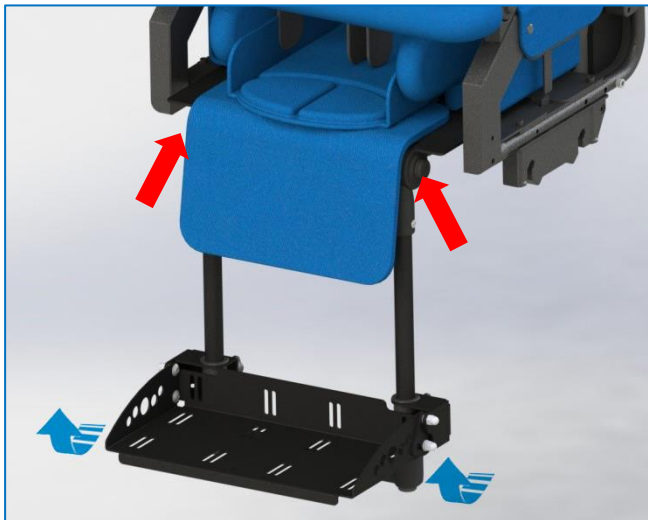
### 8.19 Footrest adjustment



**Fig. 39** Footrest angle adjustment

Loosen the bottom screws, set the right angle and re-lock the screws. *Fig. 39*. It is possible to adjust the footrest angle in the range of  $0^{\circ} \div 20^{\circ}$ .

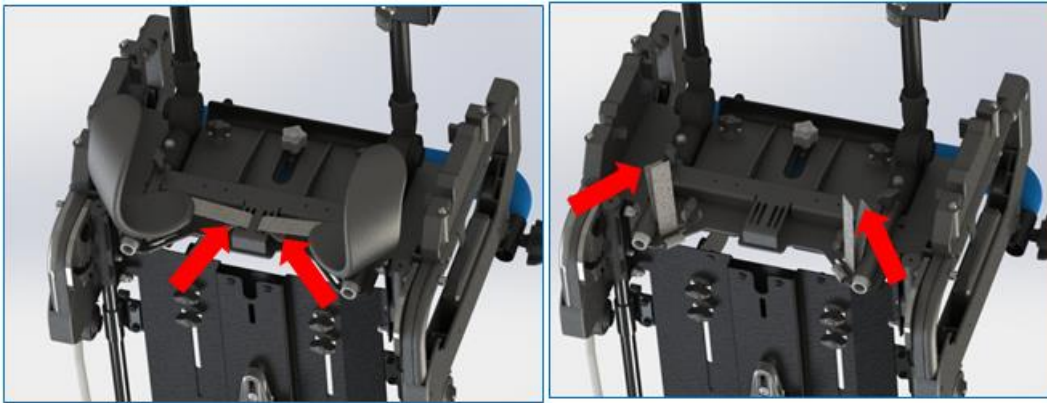
### 8.20 Footrest angle adjustment



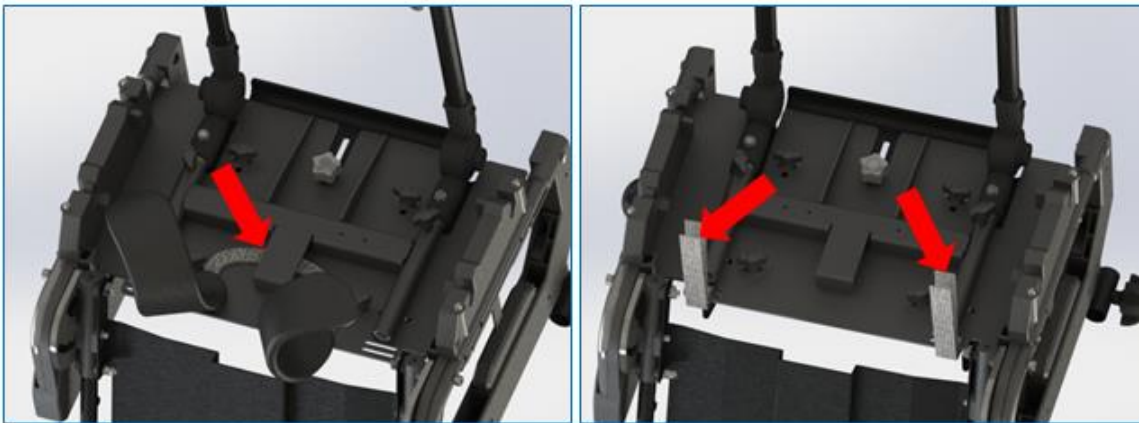
**Fig. 40** Footrest angle adjustment

Press the two release buttons at the same time *Fig. 40* then adjust the angle of the footrest brackets in the range of  $0^{\circ} \div 90^{\circ}$ .

## 8.21 Abduction belts installation



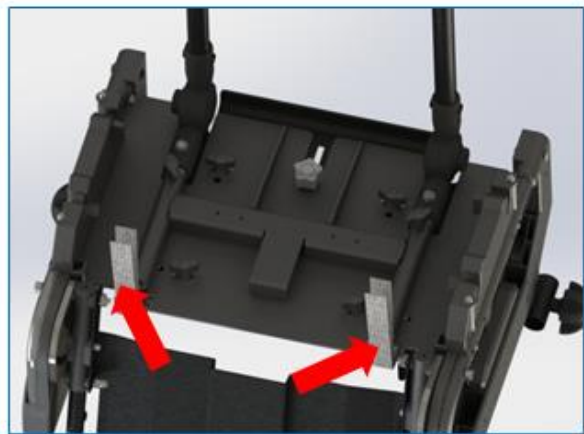
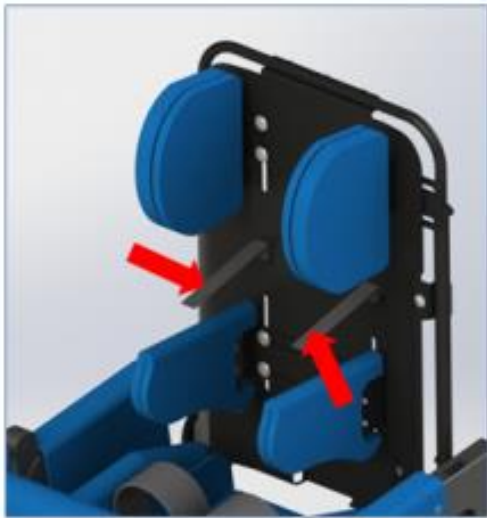
**Fig. 41** Abduction belts installation for size Mini



**Fig. 42** Abduction belts installation for Standard size

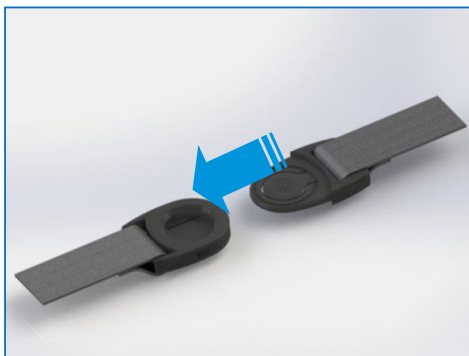
Seat belts are available in two options, depending on the size of the seat. Size Mini comes with two separate belts; the abduction belts are installed into the slots *Fig. 41*. In Standard size abduction belts are joined together and they are thread trough underneath the construction element of the seat (*Fig 42*). The other end of the abduction belts can be placed inside the slots under the seat. The excess of the belts are used to install the vest.

## 8.22 Vest attachment and adjustment



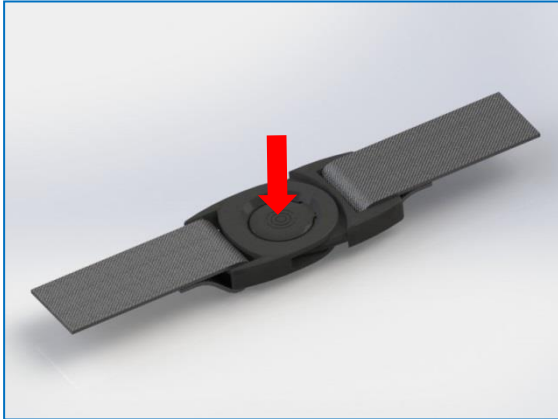
**Rys. 43** Vest attachment and adjustment

The upper straps attaching the vest should be placed on the chosen construction element of the backrest (Fig. 43) at the height close to the level of the child's shoulders. Bottom straps of the vest should be slotted under the seat (the belt is used for both the vest and the abduction belts). The excess straps can be inserted into the upholstery slots. Clips are attached to the end of the straps.



**Fig. 44** Clips fastening

The vest should be fastened once a child is sitting in the buggy. Just slide the clips in until you hear a click. *Fig 44.*



**Fig. 45** Clips unfastening

To unfasten the vest, press the clip right in the middle to unlock the clip. *Fig. 45.*

You can control the tightness of the vest by adjusting the length of the fastening straps. Proper adjustment of the vest should provide the right support of the child's upper body but it should not cause any discomfort.



**NOTE! ALWAYS MAKE SURE YOU FASTEN THE CLIPS PROPERLY USING ALL FOUR CLIPS, OTHERWISE A CHILD MAY FALL OUT OF THE BUGGY.**



Modi Buggy™ is a mechanical device with a supporting structure made of steel and aluminum with powder coating. Foam-sponge inserts attached to the frame are covered in a fabric upholstery. None of the elements of the buggy cause skin irritation. Modi Buggy™, like any other medical device, should be kept in a clean condition and used in accordance with the manufacturer's instructions.

- The frame should be cleaned with a damp cloth. Mild detergents or enzymatic cleaning agents can be used. Dust or use a soft brush if necessary.
- Clean the foam-sponge inserts with a damp cloth or a mild detergent. The sponge needs to dry thoroughly at room temperature. DO NOT TUMBLE DRY



**NOTE! THE UPHOLSTERY SHOULD BE COMPLETELY DRY BEFORE USE**

- The frame should be maintained and cleaned from dirt and mud regularly.
- Do not use chemicals.
- Do not wash the upholstery in a washing machine.
- DO NOT TUMBLE DRY
- Avoid exposure to direct sunlight and check the seat's temperature before putting a child in.



**NOTE! MODI BUGGY™ SHOULD BE SERVICED AT LEAST ONCE A YEAR (EVERY 12 MONTHS) BY A QUALIFIED TECHNICIAN. IT IS NECESSARY TO CARRY OUT PERIODIC INSPECTION OF THE BUGGY – MOVING PARTS, LOCKING MECHANISM, ADJUSTMENT FUNCTIONS. PERIODIC REVIEW OF THE DEVICE ENSURES A LONG AND TROUBLE-FREE OPERATION.**



## 10. Warranty/Service



Should you notice any faults or defects, stop using the buggy immediately and contact your dealer or the manufacturer. Defective unit must be kept safe to prevent any further damage. Never attempt to repair the product yourself. Do not replace original parts with the ones coming from a source other than the manufacturer recommends.

If you decide to discontinue using the product, please dispose of it in accordance with the environmental regulations.

The manufacture's estimated lifespan of the product is five years.

Post warranty service is available on request. Please contact:

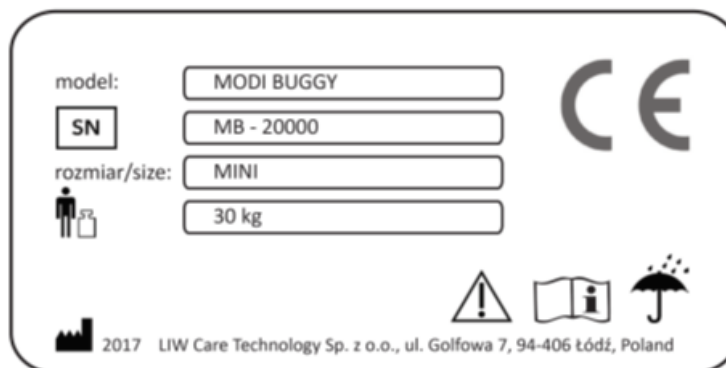
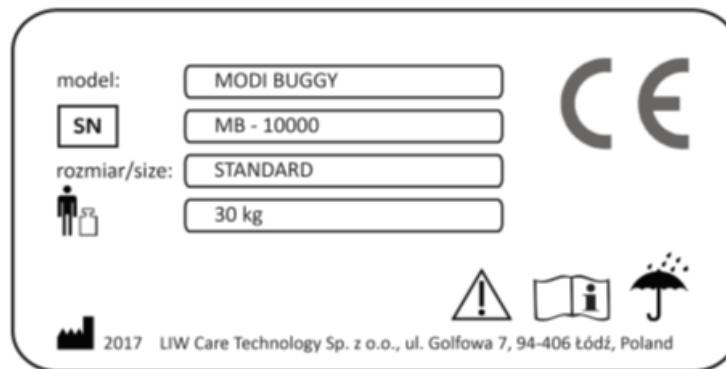
Baffin Technology Systems

sales@baffin.co.uk

Current contact details are available on our website: [www.baffin.co.uk](http://www.baffin.co.uk)

Warranty terms are specified in the warranty card, which is an integral part of this statement. The warranty card is available on the last page of this document.

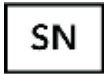
## 11. Identification plate



## 12. Symbols meaning



Manufacturer's name and date of manufacture



Serial Number



User's permissible weight



Note! Follow product instructions



Avoid contact with water



Unlocking direction



Movement direction



Mark of conformity in accordance with EU Directive 93/42 EEC Annex. VII, regarding medical devices

## 13. Compliance with the safety requirements for medical devices



Modi Buggy™ meets the essential requirements of the MDD 93/42 EEC for medical devices.

Modi Buggy™, in accordance with Annex IX of the MDD 93/42 EEC is non-invasive non-active I class medical device according to rule 1.

The Declaration of Conformity for this product can be found on our website: [www.baffin.co.uk](http://www.baffin.co.uk)

**Terms of Warranty:**

**WARRANTY CARD**

1. This limited Warranty is extended only to the original purchaser. Baffin Technology Systems limited warrants Modi Buggy™ against any defects in materials and workmanship from the date the product is delivered to the original purchaser by Baffin Technology Systems limited.
2. Your new Modi Buggy™ is guaranteed from the date of delivery.
3. This warranty does not cover:
  - waste elements and destroyed or damaged parts due to improper use (in particular, but not exclusively due to improper instructions issued or under unfavorable conditions), or improper storage of the product;
  - damage caused by any alterations or additions to the device made by the user or a third parties;
  - damage caused by improper cleaning or maintenance of the product made by the user or a third party;
  - damage caused by normal wear and tear or normal aging of the product;
  - damage caused by user’s lack of negligence (particularly, but not exclusively, in maintenance and cleaning of the product);
  - damage caused by force majeure;
  - damage caused by external events (pollutions, mechanical or water damage).
4. Two years for all material and manufacturing defects in mechanical parts.
5. One year for all electronic components, including the actuators.
6. Upholstered components, plastic parts, rubber parts, painted surfaces, bearings.
7. 180 Days for batteries and other parts not specifically identified above.
  - If the product is rented or otherwise not sold to a customer, the warranty period commences from the date of invoice from Baffin Technology Systems limited.
  - Any product proven not to be to Baffin Technology Systems limited satisfaction to be defective and within warranty period, shall be repaired or replaced by Baffin Technology Systems limited free of charge.
  - Baffin Technology Systems limited sole obligation and customers exclusive remedy under this warranty shall be limited to such repair and/ or replacement.
  - Freight charges (if necessary) to factory are at the expense of the Customer. Return freight charges will be prepaid by Baffin Technology Systems limited.
  - Baffin Technology Systems limited will not repair or replace free of charge any part or parts found to be defective due to abuse, misuse or lack of maintenance.
  - The Customer has no claim on warranty, if there has been any design, mechanic or electronic modifications made to Caretta Buggy™, without the approval from Baffin Technology Systems, except those made by Baffin Technology Systems in partnership with LIW Care Technology
  - Baffin Technology Systems limited and/ or LIW Care Technology SHALL NOT BE LIABLE FOR ANY CONSEQUENTIAL OR INCIDENTAL DAMAGES WHATSOEVER.
8. This warranty does not cover:
  - waste elements and destroyed or damaged parts due to improper use (in particular, but not exclusively due to improper instructions issued or under unfavorable conditions), or improper storage of the product,
  - damage caused by any alterations or additions to the device made by the user or a third parties,
  - damage caused by improper cleaning or maintenance of the product made by the user or a third party,
  - damage caused by normal wear and tear or normal aging of the product,
  - damage caused by user's lack of negligence (particularly, but not exclusively, in maintenance and cleaning of the product),
  - damage caused by force majeure,
  - Your statutory rights are not affected.

Date of Purchase: .....

Stamp and signature of the Distributor: .....

No.	Date of repair request	Procedures	Repair completion date	Stamp and signature of the technician
1				
2				
3				
4				