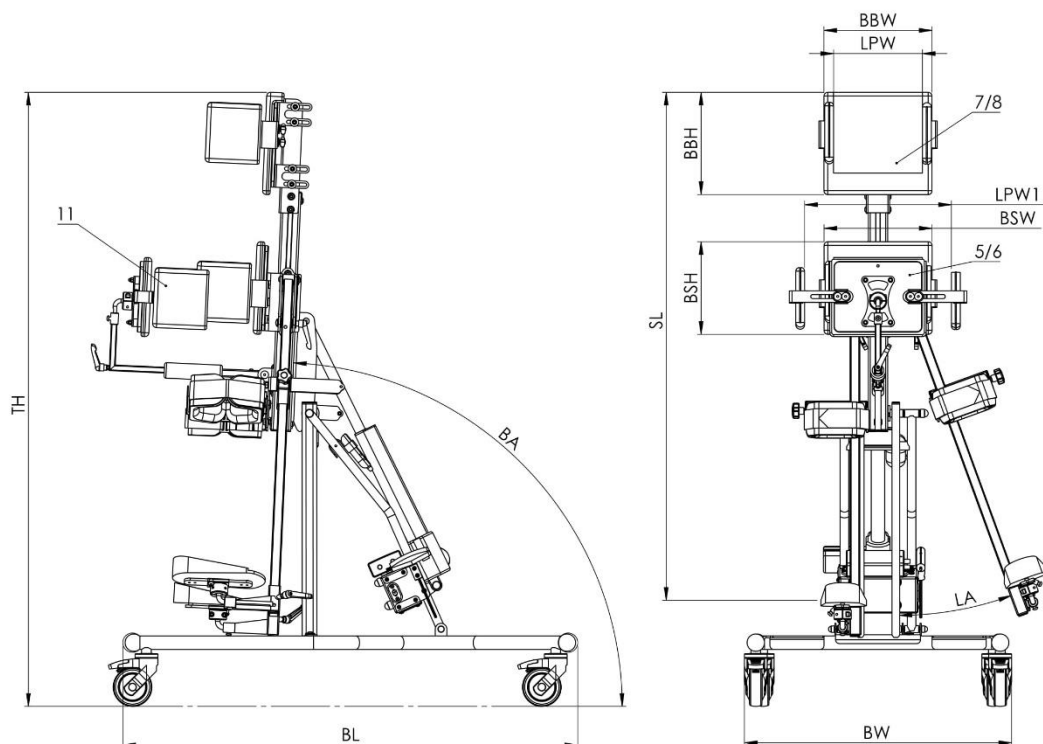




# Lori Electric

## Technical data



No.	Name		Dimension [cm]
1	Base dimensions	BW x BL	69 x 118
2	Total height (without headrest)	TH	160
3	Platform length	SL	81 ÷ 130
4	Pivot angle range	BA	88° ÷ -2°
5	Main back support – size 2	BSW x BSH	25 x 20,5
6	Main back support – size 3	BSW x BSH	28 x 26,5
7	Main chest support – size 2	BBW x BBH	25 x 22
8	Main chest support – size 3	BBW x BBH	28 x 26,5
9	Lateral supports hip or chest distance between for “Main supports” size 2	LPW	20 ÷ 32
10	Lateral supports hip or chest distance between for “Main supports” size 3	LPW	23 ÷ 35
11	3D Pelvic&Hip support and positioning system – distance between lateral supports	LPW1	26 ÷ 38
12	Lower limb abduction	LA	30°
13	Maximum user weight		75 kg
14	Total device weight		40 kg