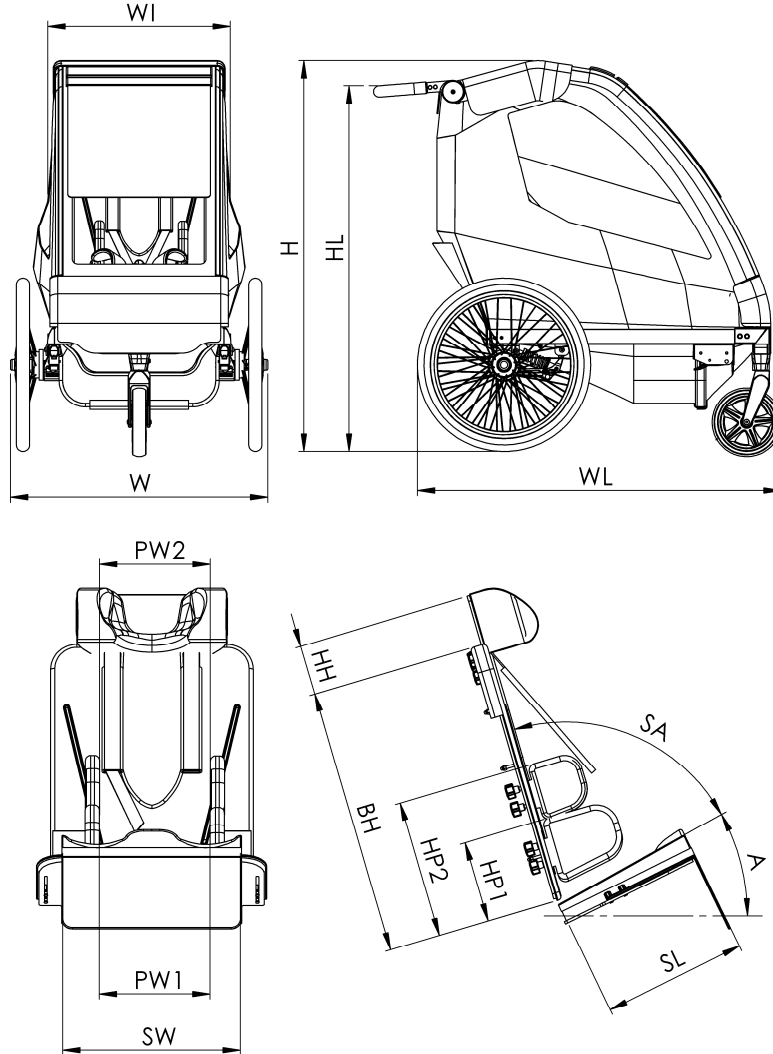




HIRO BUGGY

Technical Data



No.	Dimension name	Unit	Symbol	
1	Seat depth	cm	SL	20÷27
2	Seat width	cm	SW	33,5
3	Seat angle	°	A	6/12/18/22/28
4	Backrest angle	°	SA	A=6 (112/118/125) A=12 (106/112/119) A=18 (100/106/113) A=22 (96/102/109) A=28 (90/96/103)
5	Backrest height	cm	BH	55
6	Headrest extension height	cm	HH	10
7	Side support height	cm	HP2	27÷40
8	Chest supports spacing	cm	PW2	13,5÷30
9	Pelvic supports height	cm	HP1	16÷27
10	Pelvic supports spacing	cm	PW1	13,5÷30
11	Handle height	cm	HL	86÷115
12	Total base width	cm	W	67,5
13	Base width inside	cm	W1	52
14	Height	cm	H	110
15	Maximum user's weight	kg		30
16	Maximum load	kg		35
17	Trailer's weight	kg		20