



## REHABILITATION SYSTEM

moovife

**Play therapy**  
the most effective way of  
development



## ABOUT MOOVIE

This is my daughter Sophie. Smiling, with her friends. Full of energy, having fun, singing and dancing going through life with all the enthusiasm you expect from a young child. But I always worried what future held for Sophie.

Watching my daughter's physical and mental development, I noticed that not all processes related to it run properly. At the age of two, Sophie had a very limited vocabulary, a poorly developed menu and nightly incidents resembling epilepsy. With little interested in the outside world, she directed all her attention and energy to colliding with objects, strong pressure and movement and sensations resulting from it. I got my first tips and help from a physiotherapist who worked with rehabilitating children. She observed that Sophie has a small spectrum of autism and aphasia, and her sensory disorders were linked to this. Therefore, the topic of sensory integration became the starting point in my search for products which could help Sophie which led me to issues related to children's motor skills, early intervention related to their neurological development and rehabilitation.

The result of the research was a set of MOOVIE rehabilitation blocks that can be used in early intervention for children with sensorimotor disorders. Thanks to various combinations and arrangement of blocks, the child perfects and stimulates most of the elements of the musculoskeletal system in conjunction with the vestibular, tactile and kinesthetic systems. It integrates motor skills into a sequence of movements, adapts motor skills to changing environmental conditions. The child improves hand-eye coordination and language skills. A set of blocks supporting the physical development of a child can be used in schools during physical education lessons, in rehabilitation offices, nurseries and family homes.

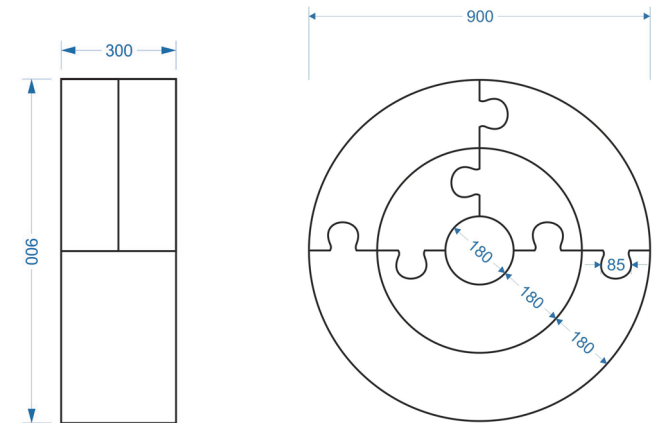
Eva, Inventor of MOOVIE and Sophie's Mom



## MOOVIE 15

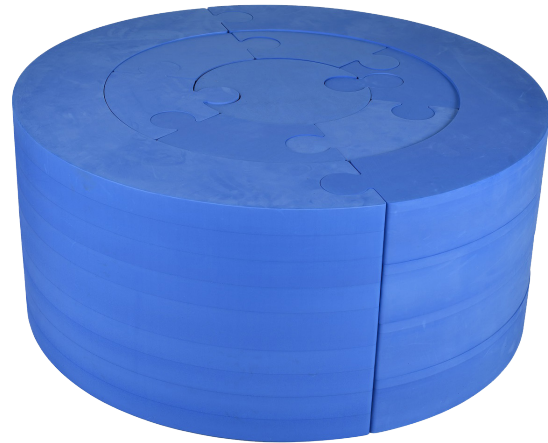


consisting of 15 elements  
[Ø900 mm, h. 300 mm]

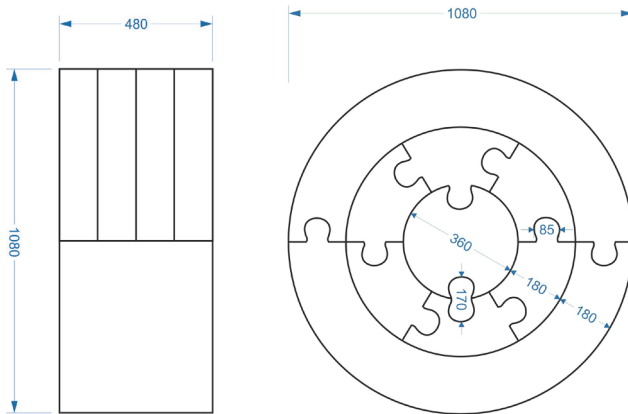


**i** The modules of both sets can be connected with each other using grooves and splines, as in jigsaw puzzles. The uniform colour allows children to calm down and focus on exercise. Both sets can be used together, then they can be used by larger groups of users.

# MOOVIE 23



consisting of 23 elements  
[Ø1080 mm, h. 480 mm]



Our product allows to freely prepare exercises that are best for the needs of each Patient. Thanks to this, it is easy to organize exercises for children with sensory motor disorders.



moovife

## Rehabilitation blocks for children WITH GROSS MOTOR DISORDERS



Baffin Technology Systems Limited  
Bragborough Business Hall, Daventry  
NN11 3JG

07985562652

monika@baffin.co.uk



**B A F F I N**