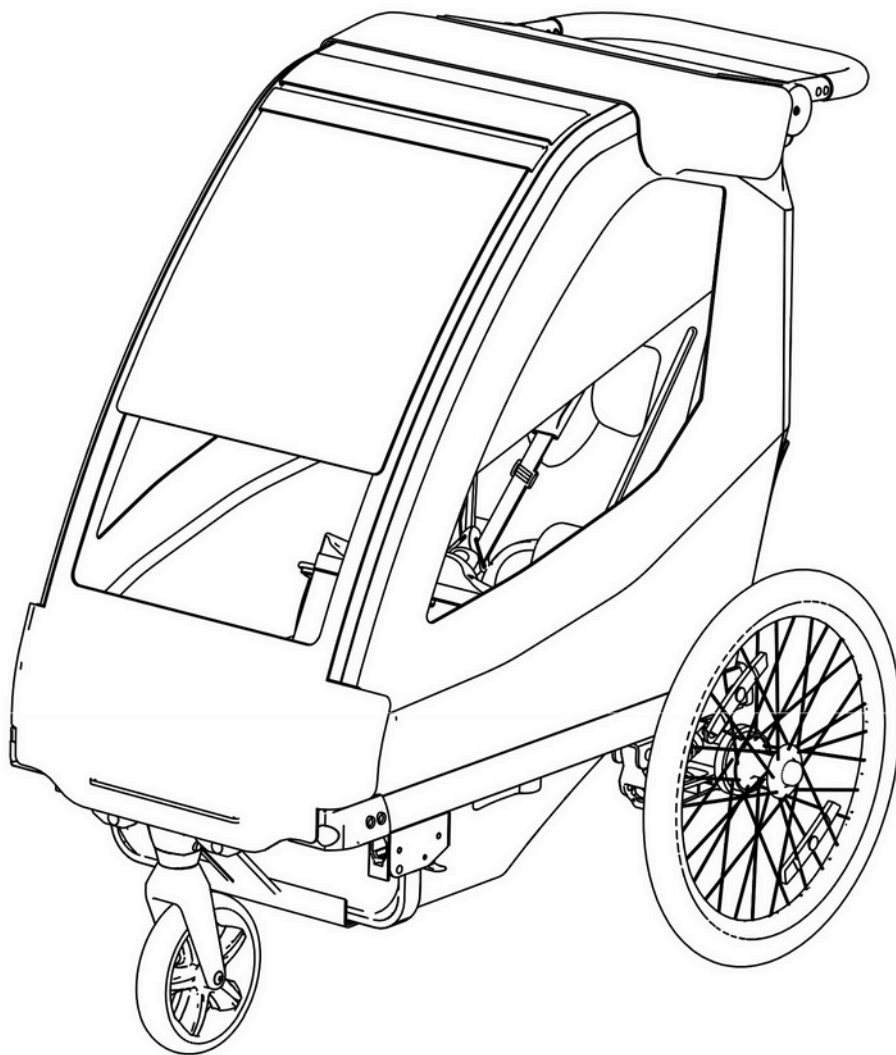




USER'S MANUAL FOR
Stroller for Special Needs Children

HIRO BUGGY



Revision 2 – 30/06/2023



Distributor's contact details:



Baffin Technology Systems Limited

Michaelmas House

Royal Oak Way North

Daventry NN11 8PQ

Company number 10131813

Vat Registration No 242 5610 31

Phone 01788 711 904 | Mail: office@baffin.co.uk



ATTENTION! THE MANUFACTURER IS RESPONSIBLE ONLY FOR EQUIPMENT PURCHASED FROM A DIRECT REPRESENTATIVE OF LIW CARE TECHNOLOGY OR AT A SPECIALIST MEDICAL STORE REPRESENTING LIW CARE TECHNOLOGY IN POLAND.



ATTENTION! DURING USE, MAINTENANCE, ASSEMBLY AND MECHANISM ADJUSTMENTS, THERE IS A RISK OF ENTRAPMENT AND/OR PINCHING OF THE USER'S / ASSISTING PERSON'S BODY PARTS IN THE HOLES / GAPS BETWEEN THE ELEMENTS. SPECIAL CARE NEEDS TO BE EXERCISED WHEN PERFORMING THESE ACTIVITIES. HAVING FINISHED ADJUSTMENTS, FIX THE POSITION BY CAREFULLY TIGHTENING NUTS/BOLTS.



ATTENTION! IF POSSIBLE, KEEP THE PRODUCT PACKAGING IN CASE THE PRODUCT NEEDS TO BE TRANSPORTED FOR THE PURPOSES OF A WARRANTY REPAIR.



ATTENTION! DO NOT LEAVE THE CHILD IN THE STROLLER UNATTENDED. THE STROLLER IS NOT INTENDED FOR CHILDREN UNDER 1 YEAR OLD.



ATTENTION! DO NOT EXCEED THE MAXIMUM LOAD OF THE HIRO BUGGY STROLLER.



ATTENTION! DO NOT USE THE HIRO BUGGY STROLLER IF THERE ARE DEFECTIVE, DAMAGED OR MISSING PARTS.



ATTENTION! WHEN USING THE HIRO BUGGY STROLLER AS A CYCLE TRAILER, CLOSE THE FRONT COVER WITH MAGNETS AT THE BOTTOM AND HOOK-AND-LOOP FASTENERS AT THE SIDES.



ATTENTION! WHEN USING THE HIRO BUGGY STROLLER AS A CYCLE TRAILER, DO NOT EXCEED THE MAXIMUM SPEED OF 24 KM/H. THE SPEED ALWAYS NEEDS TO BE ADAPTED TO THE EXISTING CONDITIONS.



ATTENTION! WHEN USING THE HIRO BUGGY STROLLER ATTACHED TO A CYCLE, MAKE SURE THE CONNECTION IS RELIABLE AND SECURE. MAKE SURE THAT THE CYCLE CONNECTION DOES NOT RESTRICT THE BRAKING AND STEERING PERFORMANCE OF THE CYCLE.



ATTENTION! THE CYCLE MOUNT CAN BE INSTALLED AT THE LEFT SIDE OF THE FRAME ONLY. WHEN USING THE STROLLER AS A TRAILER, A FLAG NEEDS TO BE USED.



ATTENTION! WHEN USING THE HIRO BUGGY SPECIAL NEEDS STROLLER ATTACHED TO A CYCLE, REMEMBER THAT THE TRAILER INCREASES THE SIZE OF THE ENTIRE VEHICLE. A CYCLE WITH THE TRAILER ATTACHED ACCELERATES SLOWER AND HAS DELAYED BRAKING PERFORMANCE.



ATTENTION! WHEN USING THE HIRO BUGGY SPECIAL NEEDS STROLLER IN REDUCED VISIBILITY OR AFTER DARK, NECESSARY LIGHTING AS PER TRAFFIC REGULATIONS NEEDS TO BE USED.



ATTENTION! BEFORE STARTING AND USING THE DEVICE, IT IS VITAL THAT YOU READ THE INSTRUCTIONS FOR USE.



1	Introduction	4
1.1	General conditions of safety	4
2	Symbols	5
3	Compliance with medical device requirements	5
4	Indications for use of the device	5
5	Technical specification	6
6	HIRO BUGGY Special Needs Stroller general design	7
6.1	HIRO BUGGY Special Needs Stroller seat components	8
6.2	HIRO BUGGY Special Needs Stroller frame components	8
6.3	Lighting	9
7	Folding and adjustment instructions	9
7.1	Stroller folding	9
7.2	Rear wheel lock – parking brake	12
7.3	Push handle adjustment	12
7.4	Seat adjustment	13
7.5	Backrest angle adjustment	14
7.6	Preparing for adjusting supporting elements	14
7.7	Upper strap fastener adjustment	15
7.8	Suspension adjustment	16
7.9	Setting up sunshades and front upholstery	16
8	Accessories.....	17
8.1	Chest supports	17
8.2	Hip supports	18
8.3	Stabilising belt	18
8.4	Footrest	19
8.5	Headrest	19
8.6	16” front wheel.....	20
9	Cleaning and maintenance	20
10	Storage and transported	21
11	Handling the device	21
12	Nameplate of the stroller for special needs children	22
13	Guarantee/service	22

1 Introduction

The HIRO BUGGY Stroller for Special Needs Children developed and created by LIW Care Technology is intended for transporting people with disabilities. It is designed for people with disorders that make it impossible for them to move independently. The stroller allows for outdoor transport on any type of paved surfaces. The device can be used in many ways, depending on the configuration. As a special needs stroller, the device can be used to transport people with disabilities in an urban environment without a need to use any additional devices. As a special needs stroller with a large front wheel, the device can be used while jogging. As a cycle trailer, the device can be attached to a cycle and used as a cycle trailer.

The medical device HIRO BUGGY Stroller for Special Needs Children is mostly used in the following conditions:

- Cerebral palsy (CP);
- Paralysis of various etiology;
- Cleft spine;
- Myelomeningocele;
- Status post spinal injury;
- Status post cranial and cerebral injury;
- Status post stroke;
- Faulty posture, especially scoliosis;
- Multiple sclerosis;
- Motor coordination problems;
- Body balance problems.

We have made every effort so that the special needs stroller is as simple as possible, provides good stabilisation during use, allows for adjusting the structure to the position and limitations of the user and is safe to use.

We pay particular attention to the quality of our products; therefore, please read these instructions carefully – this will ensure safe and comfortable use of the device, which will be effective and allow you to make the most of all its advantages.

These instructions are to be stored in an easily accessible place. The instructions are intended for an adult user and persons who take direct care of users with disabilities.

1.1 General conditions of safety

The biggest concern for LIW Care Technology Sp. z o.o. is making sure that patients who use our devices are safe. In order to ensure the full safety of the device users, you need to comply with the following recommendations at all times:

1. Before starting any attempts at using the device, read these instructions for use and if you have any doubts, contact the seller or the manufacturer.
2. Make sure that all the information, recommendations and warnings specified in these chapters are fully comprehensible.
3. Before starting any attempts at using the device, check all the screw joints. No play is allowed.
4. Before starting any attempts at using the device, check the condition of the wheels. The wheels should turn without significant resistance. Make sure that the tires are properly inflated. The tires should be in good working order, not worn or damaged.
5. Before starting any attempts at using the device, make sure the parking brake is in good working order.

The instructions for use of devices manufactured by LIW Care Technology Sp. z o.o. contain paragraphs marked with the ATTENTION symbol, which draws special attention to their content. The meaning of the aforementioned symbol is as follows:





ATTENTION! THIS SYMBOL IS USED TO DRAW THE READER'S ATTENTION TO THE CONTENT MARKED WITH THE SYMBOL. A FAILURE TO COMPLY WITH THE CONTENT UNDER THIS SYMBOL MAY CONSTITUTE A LIFE OR HEALTH HAZARD FOR THE USER.



ATTENTION! SPECIAL NEEDS STROLLER IS NOT DESIGNED TO BE TRANSPORTED IN MOTOR VEHICLES WITH A PERSON SITTING IN THE STROLLER.



ATTENTION! THE DEVICE SHOULD BE SERVICED REGULARLY. THIS WILL MAXIMISE ITS USEFUL LIFE.

2 Symbols



Name of manufacturer



Production date



Serial number



Acceptable user weight



Follow the instructions for use



Arrows indicating the directions of movement



Medical device



Compliance symbol in line with the Regulation (EU) 2017/745 of the European Parliament and of the Council of 5 April 2017 on medical devices, Annex V.



Do not discard with household waste

3 Compliance with medical device requirements

The device Stroller for Special Needs Children meets the Regulation (EU) 2017/745 of the European Parliament and of the Council of 5 April 2017 on medical devices.

The device Stroller for Special Needs Children, based on Annex VIII to the Regulation (EU) 2017/745 of the European Parliament and of the Council of 5 April 2017 on medical devices, is a non-invasive, active, class I medical device according to rule 1.

The device's declaration of compliance is available at the Sales Department of the manufacturer.



ATTENTION! IN CASE THE DEVICE IS MODIFIED, UNORIGINAL SPARE PARTS ARE USED OR THE DEVICE IS USED WITH PRODUCTS OF A DIFFERENT MANUFACTURER, THE CE MARKING MUST BE REMOVED.

4 Indications for use of the device

The HIRO BUGGY Stroller for Special Needs Children is dedicated to children who are no more than 130 cm tall. The stroller can be used in persons with faulty posture, muscular dysfunction or balance disorders. It proves excellent in children with cerebral palsy, muscular dystrophy, in paralysis of various etiology, tetraplegias and paraplegias, as well as in children with faulty posture. The device stabilises the body in an optimum position. Thanks to the adjustable back support with side supports, it can be perfectly adapted to the position and height of a child. The use of the device should be consulted with a physician or a physical therapist.

5 Technical specification

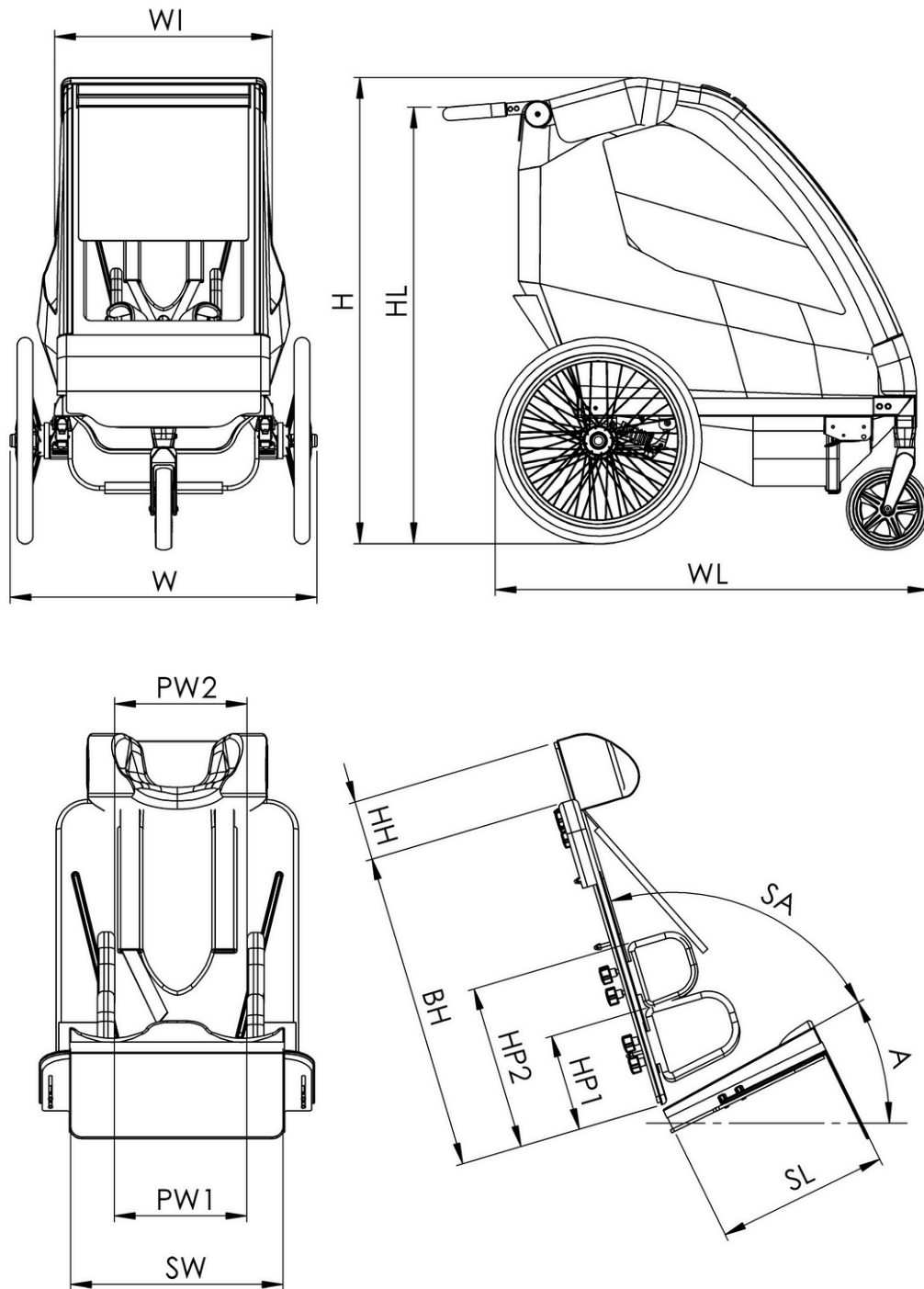


Fig. 1

No.	Parameter	Unit	Symbols	Value
1	Seat length	cm	SL	20÷27
2	Seat width	cm	SW	33,5
3	Angle	°	A	6/12/18/22/28
4	Seat angle	°	SA	A=6 (112/118/125) A=12 106/112/119) A=18 100/106/113)

				A=22 96/102/109 A=28 (90/96/103)
5	Back height	cm	BH	55
6	Headrest height	cm	HH	10
7	Chest support height	cm	HP2	27÷40
8	Chest support width	cm	PW2	13,5÷30
9	Hip support height	cm	HP2	16÷27
10	Hip support width	cm	PW2	13,5÷30
11	Ground-to-handle height	cm	HL	86÷115
12	Width	cm	S	67,5
13	Inner width	cm	W1	52
14	Height	cm	H	110
15	Maximum patient weight	kg		30
16	Maximum load	kg		35
17	Unladed weight	kg		20

6 HIRO BUGGY Special Needs Stroller general design

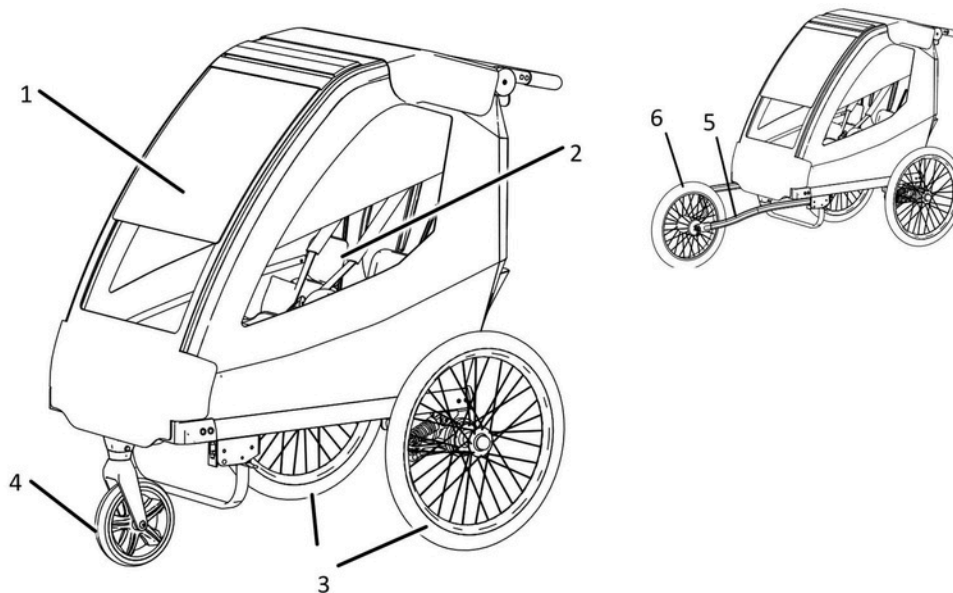
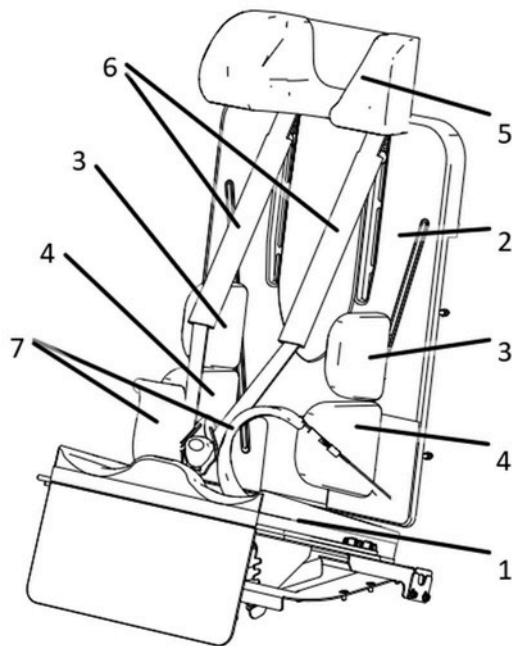


Fig. 2

1. HIRO BUGGY Special Needs Stroller cab
2. Adjustable seat
3. 20" wheel
4. 8" front caster wheel
5. 16" wheel mount
6. 16" wheel

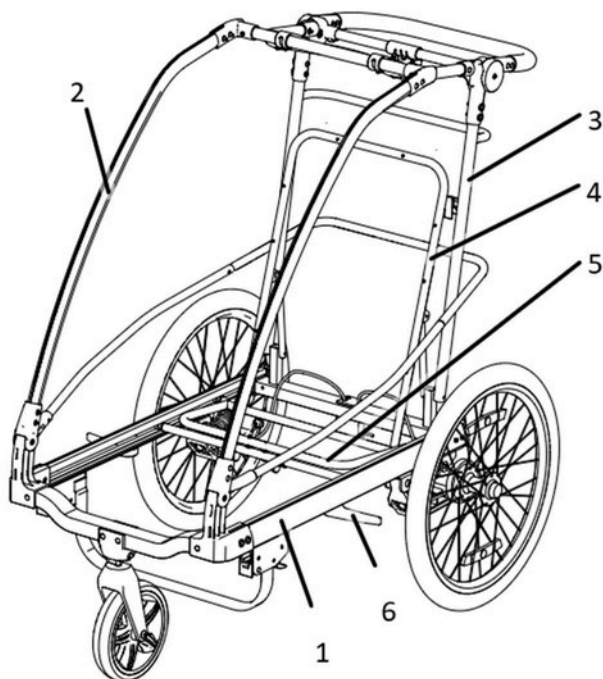
6.1 HIRO BUGGY Special Needs Stroller seat components



1. Seat with adjustable angle and adjustable length
2. Backrest with adjustable recline angle
3. Chest supports
4. Hip supports
5. Headrest
6. Straps
7. Hip belts

Fig. 3

6.2 HIRO BUGGY Special Needs Stroller frame components



1. Main frame
2. Front frame
3. Frame with push handle
4. Backrest frame
5. Seat frame
6. Safety guards

Fig. 4

6.3 Lighting

The HIRO BUGGY Special Needs Stroller is equipped with red reflectors (1) located at the rear wheel axle level. In the front part of the stroller, there are white reflectors (3). In addition, there are orange reflectors mounted on the wheels (4).

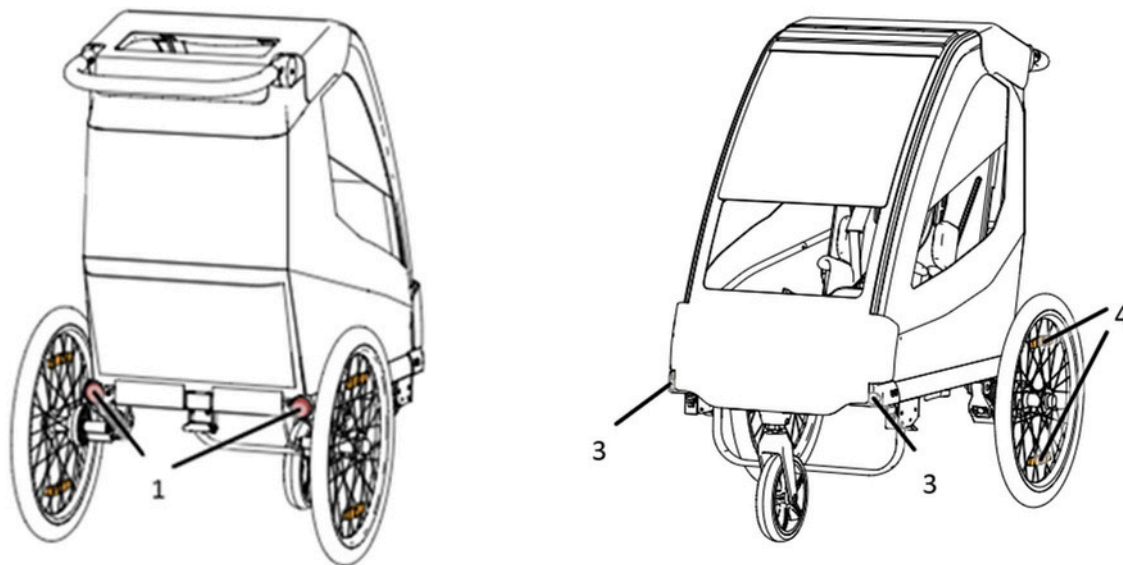


Fig. 5

7 Folding and adjustment instructions

7.1 Stroller folding

Before starting to fold the stroller, first remove the driving wheel from the frame and any additional accessories attached to the frame. In order to remove the rear wheels (1), press the button (2) located at the wheel hub and pull the wheel away from the frame.

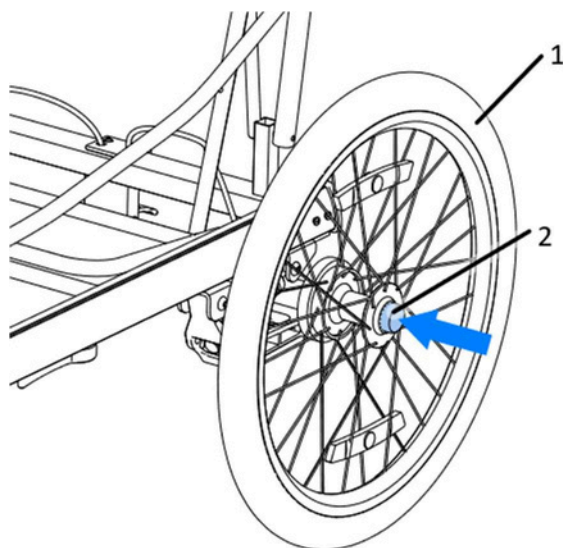


Fig. 6

The front wheel (1) of the stroller is removed by pressing the button (2) at the side of the wheel mount and then pulling the wheel downwards.

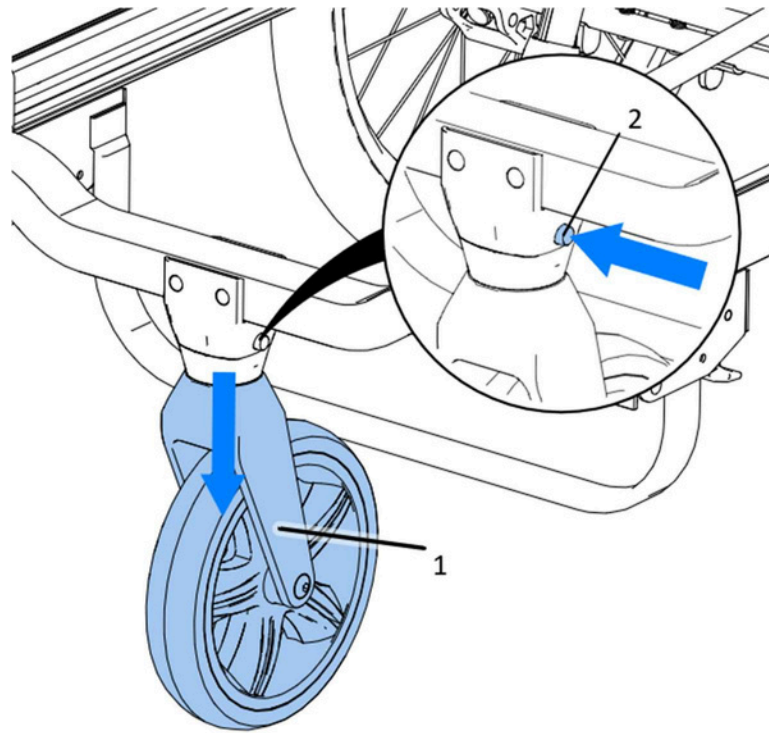


Fig. 7

Then, you can start to fold the stroller. Move away the upholstery (1) where indicated in the picture, unlock the latches (2) that connect the front frame with the handle frame and release the handle position adjustment lock (3).

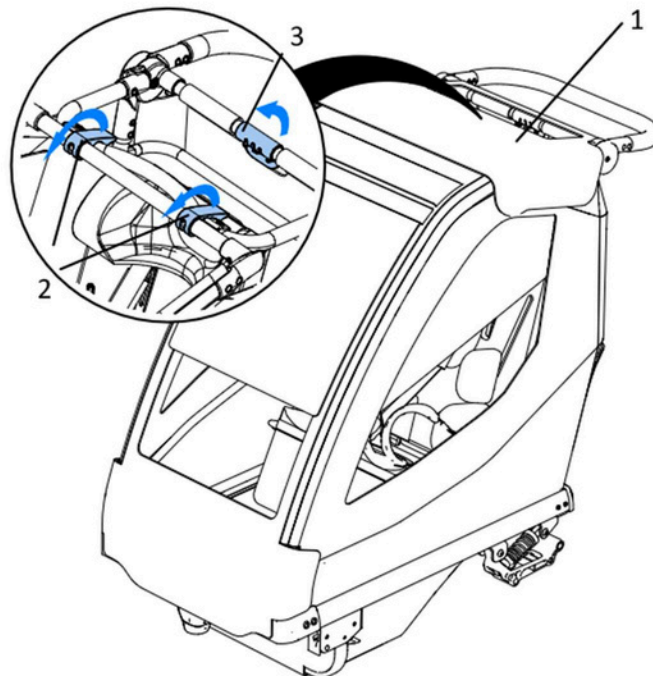


Fig. 8

Now, unlock the seat (1) by moving the lock towards (2) and move the seat to the frontmost position. Leave the seat loose for further folding.

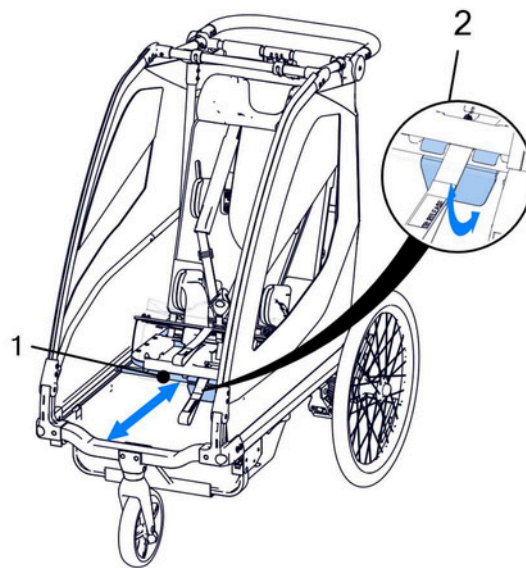


Fig. 9

Lower the handle (1) so that it does not interfere with the folding operation, lift the front frame (2) slightly so that it is possible to fold the frame (3), with the handle facing forward, under the bar of the front frame (2).

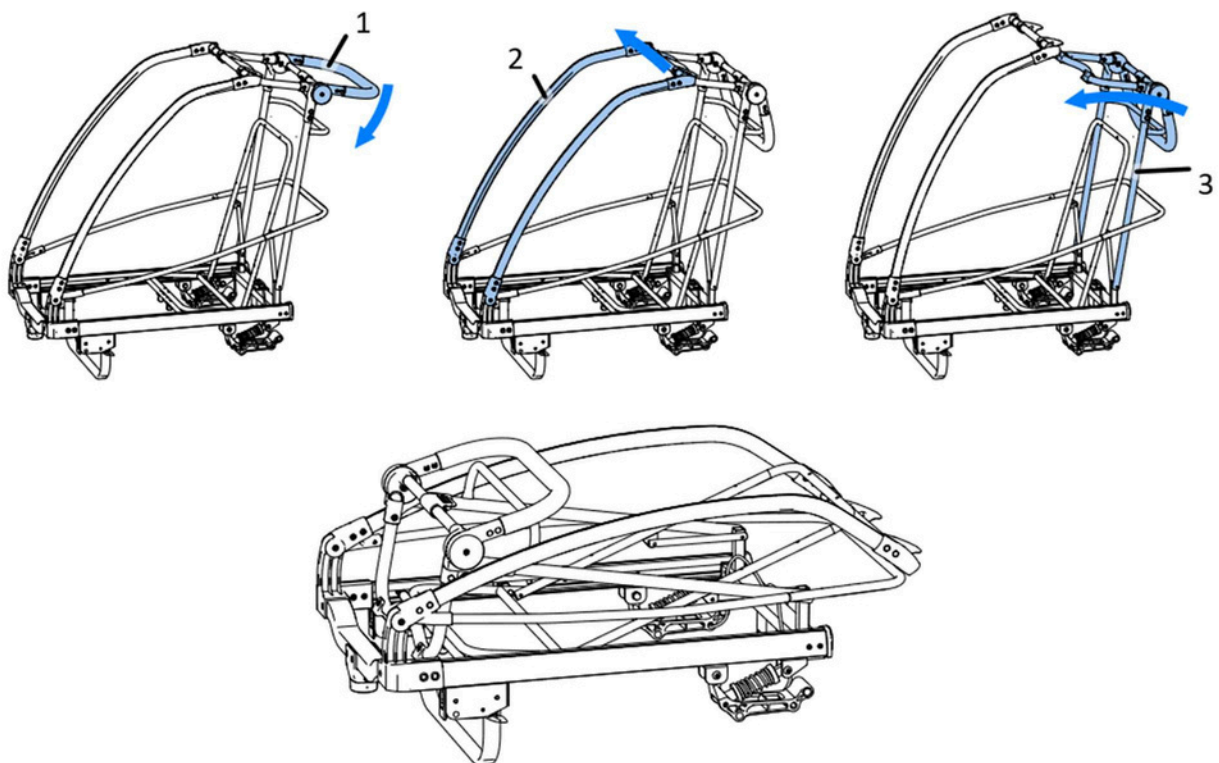


Fig. 10



ATTENTION! When folding the frame, pay particular attention to potential pinch points created by the movable elements.

7.2 Rear wheel lock – parking brake

The HIRO BUGGY Special Needs Stroller is equipped with a parking brake that locks the right and left wheel simultaneously. Pressing the brake pedal (1) locks the brake pins in the openings of the wheel rosettes (2). The brake is released by moving the brake pedal (1) upwards.

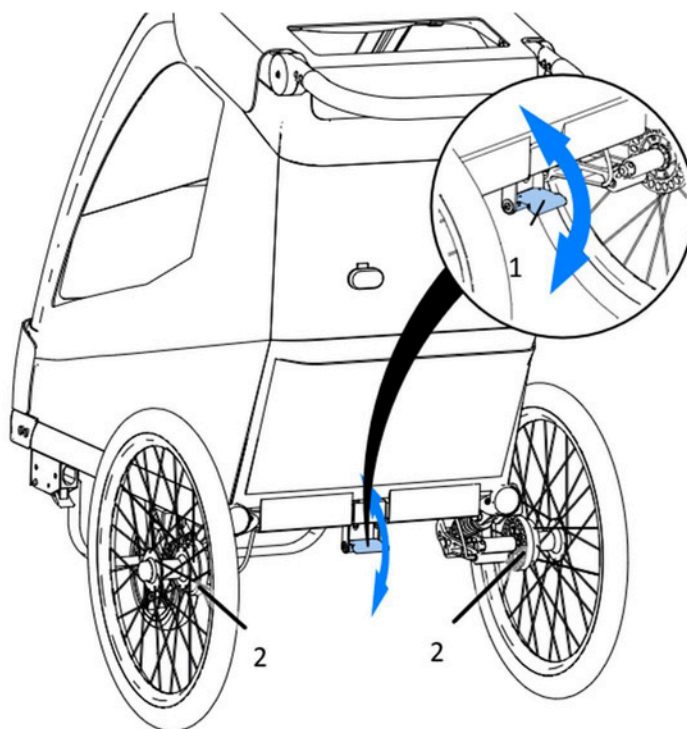


Fig. 11



ATTENTION! The brake condition needs to be regularly checked and any accumulated dirt and mud removed.

7.3 Push handle adjustment

The push handle (1) is adjusted using a lever (2) located under the back part of the upper upholstery. In order to change the position of the handle, unfasten this part of the upholstery and pull the lever (2). This will unlock the handle (1) and now you can adjust its position. After choosing the right handle position, push the lever (2) down in order to lock the handle.

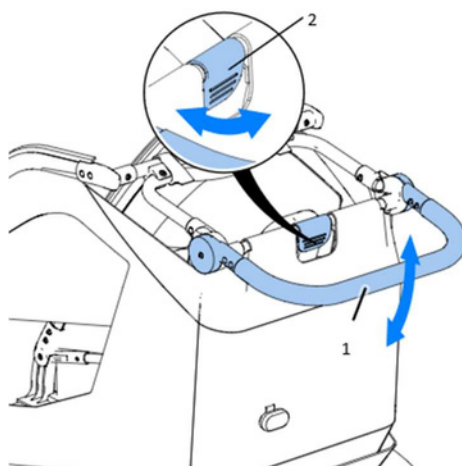


Fig. 12

7.4 Seat adjustment

In order to adjust the seat length (1), loosen the nuts (2) located at the sides of the seat using an 8-mm wrench. Then, move the upholstery together with the plastic base along the guiding grooves until a desired position is achieved. Then, tighten the nuts (2).

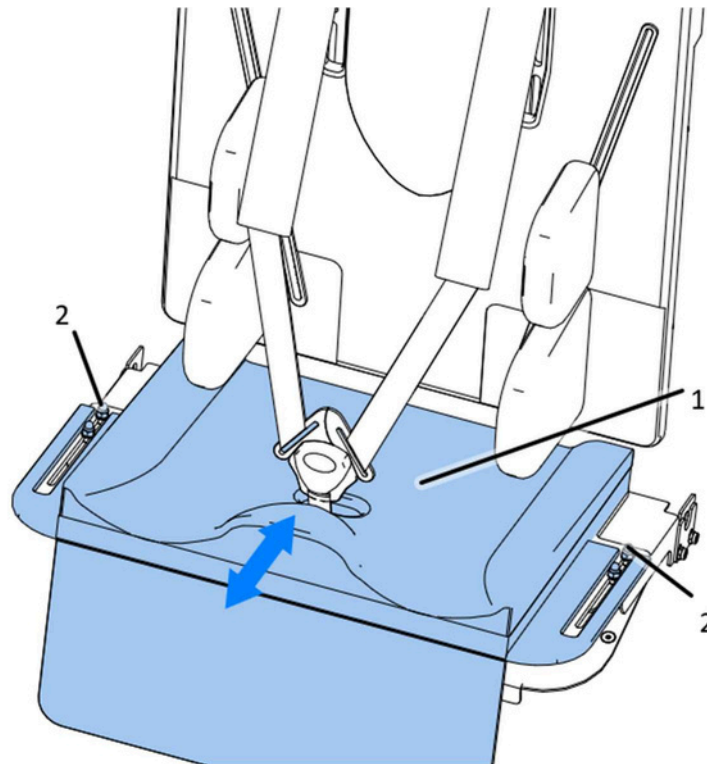


Fig. 13

The seat can be tilted to five angle positions. In order to tilt the seat (1) to a desirable position, pull up the grey stripe (2) "Tilt Lift" located under the front of the seat (Fig. 14). Every position will lock automatically. To put seat down release locking by pulling blue stripe (3) "Tilt Release" and by the grey stripe get the seat down. After releasing blue stripe the seat will lock in nearest position.

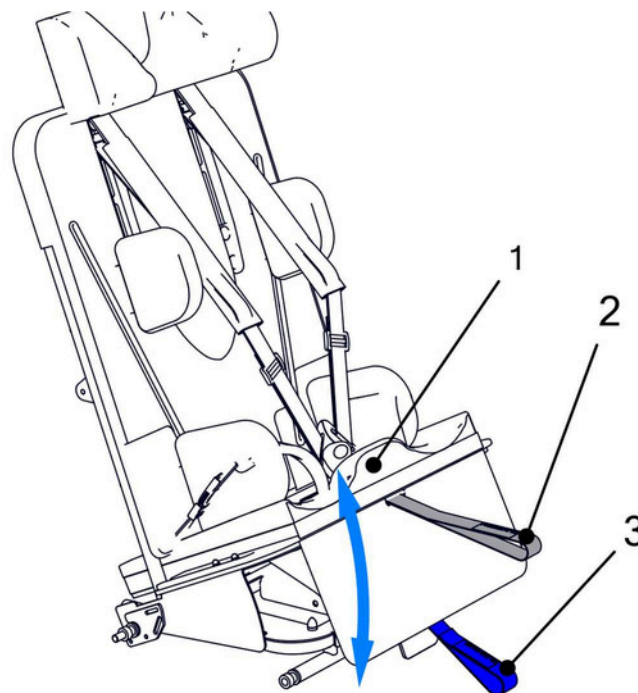


Fig. 14



ATTENTION! When adjusting the seat, pay particular attention to potential pinch points created by the movable elements.

7.5 Backrest angle adjustment

The backrest (1) can be set in three positions by moving the seat (3) forward or backward. Fig. 15 shows the seat position and backrest angle adjustment. Move the locks (2) toward and move the seat (3) to one of the three available positions. There is possibility to set backrest both sitting and semi reclining positions

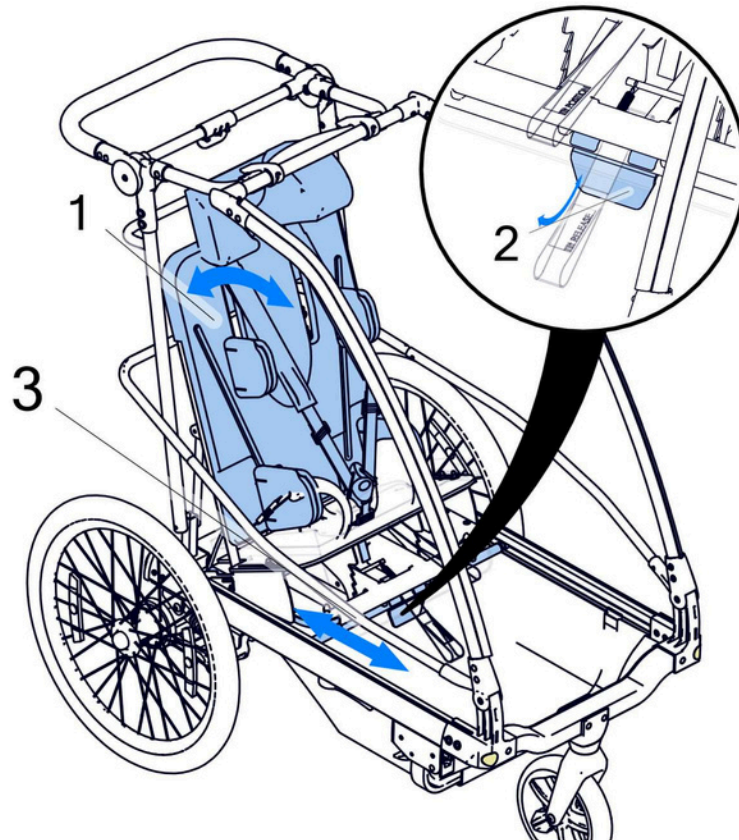


Fig. 15



ATTENTION! When adjusting the backrest, pay particular attention to potential pinch points created by the movable elements.



ATTENTION! It is recommended to adjust the backrest angle when the seat is unloaded. After regulations make sure that pins are locked on both sides of seat

7.6 Preparing for adjusting supporting elements

For making adjustments on backrest easier in upholstery were specially made zipped flap on back of stroller cabin. Fig. 16.



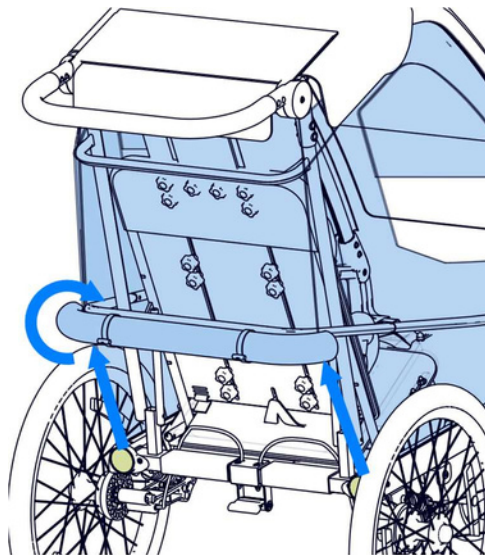


Fig. 16

After unzipping sides there is possibility to roll and hatch back upholstery above zippers, and pin it with rubber bands with pins.

7.7 Upper strap fastener adjustment

The stroller is equipped with three-point straps (1) allowing the child to be appropriately secured. The straps offer adjustable height of the upper fasteners and adjustable strap length.

The height of the upper strap fasteners is determined based on the height of the child's shoulders. The fasteners should be located slightly above the shoulders, so that the child is not pushed downwards when the straps are tightened. The adjustment is made by loosening the knobs (2) located at the back of the backrest. After setting the fasteners at the desired height, tighten the knobs (2).

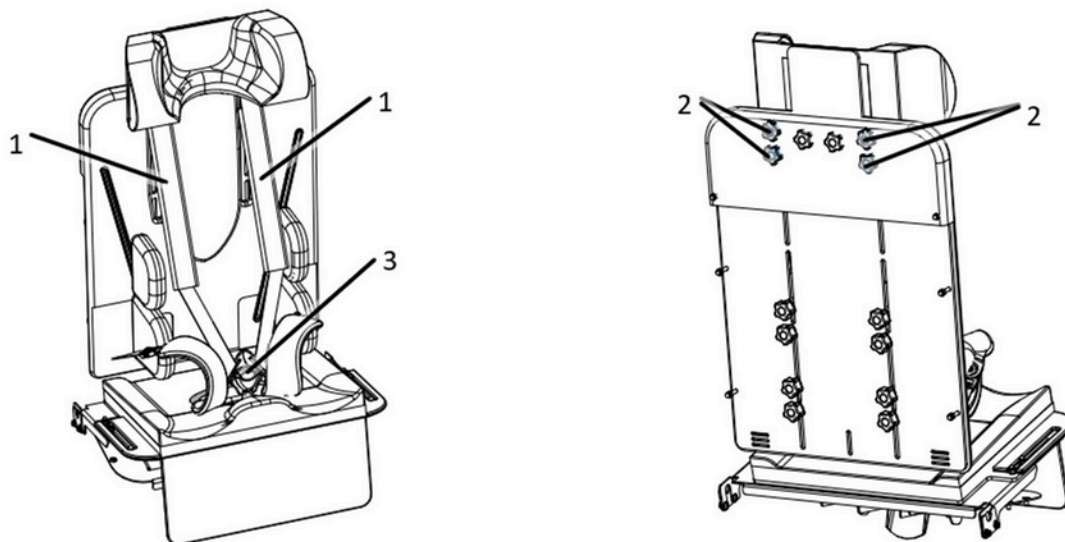


Fig. 17

The straps are equipped with plastic grommets for strap length adjustment. Their position needs to be adapted to the child's body posture. In order to change the location of the strap buckle (3), readjust the strap attached in the plastic part of the seat under the upholstery.

7.8 Suspension adjustment

The stroller allows adjusting the hardness of the rear wheel suspension. Between the frame and the rear wheel suspension arms, there are adjustable shock absorbers (1). By turning the nut (2) of the shock absorber, the suspension hardness can be increased or decreased. The nut is serrated, which facilitates manual adjustment. Changing the shock absorber settings does not require any tools.

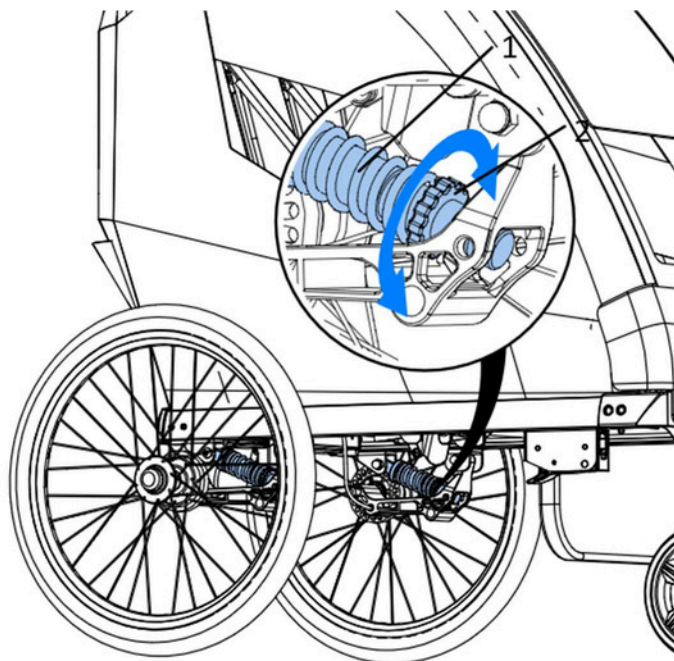


Fig. 18

7.9 Setting up sunshades and front upholstery

The HIRO BUGGY Special Needs Stroller is equipped with black fabric sunshades allowing for restricting the access of light to the person sitting in the stroller. The front part of the sunshades is attached from the outside using hook-and-loop fasteners. It can be folded up and hidden in the pocket located on the top of the front upholstery. This element cannot be entirely removed but only folded upwards. Side covers are attached from the inside. They are folded upwards and are also fastened with hook-and-loop fasteners.

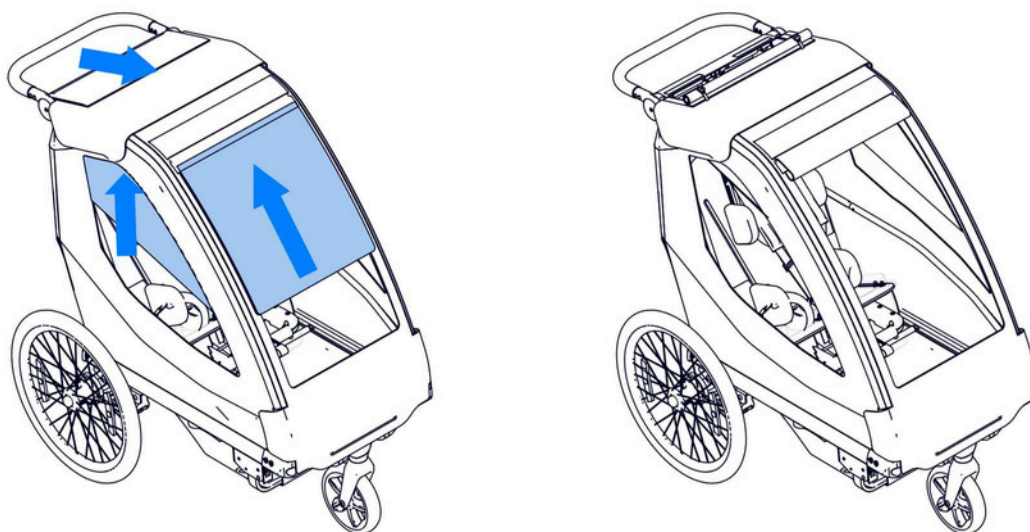


Fig. 19

The front upholstery is attached at the bottom sides with hook-and-loop fasteners and with a magnet in the middle. From the front part, along the entire length of the sides, the upholstery is fastened with a zip fastener. Having been unfastened, the upholstery can be folded and pulled upwards into the special pocket on the top of the upholstery.

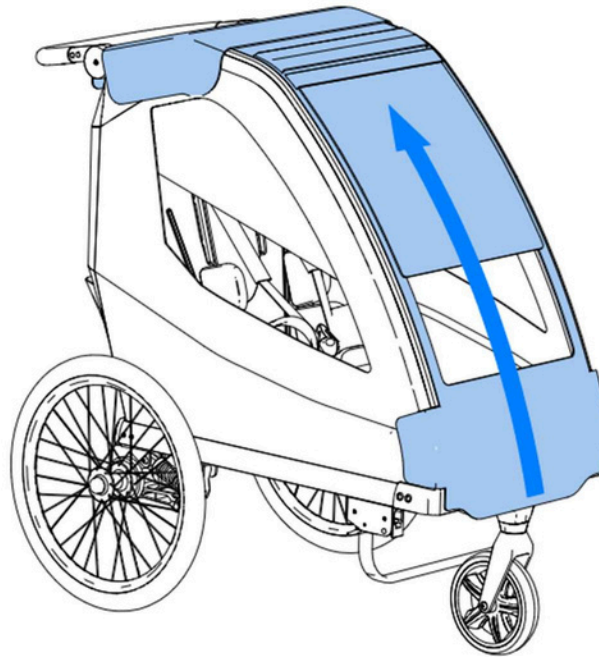


Fig. 20

8 Accessories

8.1 Chest supports

The chest supports (1) ensure correct position and stabilisation of the child's trunk. The supports can also be used to improve the body posture. The height and width adjustment of the chest supports is possible after loosening the knobs located at the back of the backrest. After setting up the chest supports, tighten the knobs.

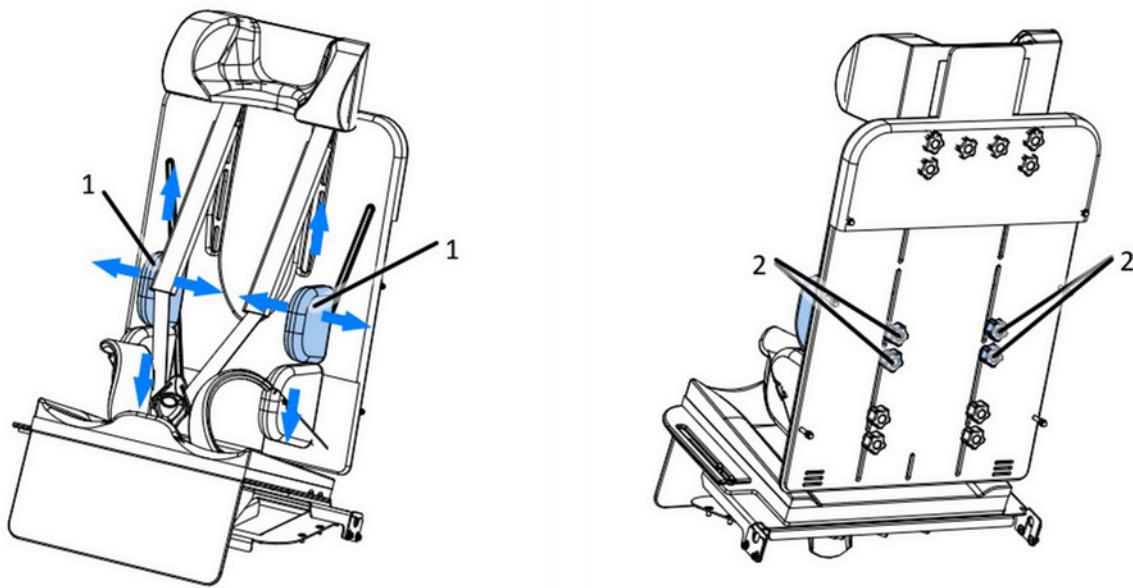


Fig. 21

8.2 Hip supports

The hip supports (1) ensure correct position and stabilisation of the child's pelvis and hips. The supports can also be used to improve the body posture. The height and width adjustment of the hip supports is possible after loosening the knobs (2) located at the lower back of the backrest. After setting up the hip supports, tighten the knobs.

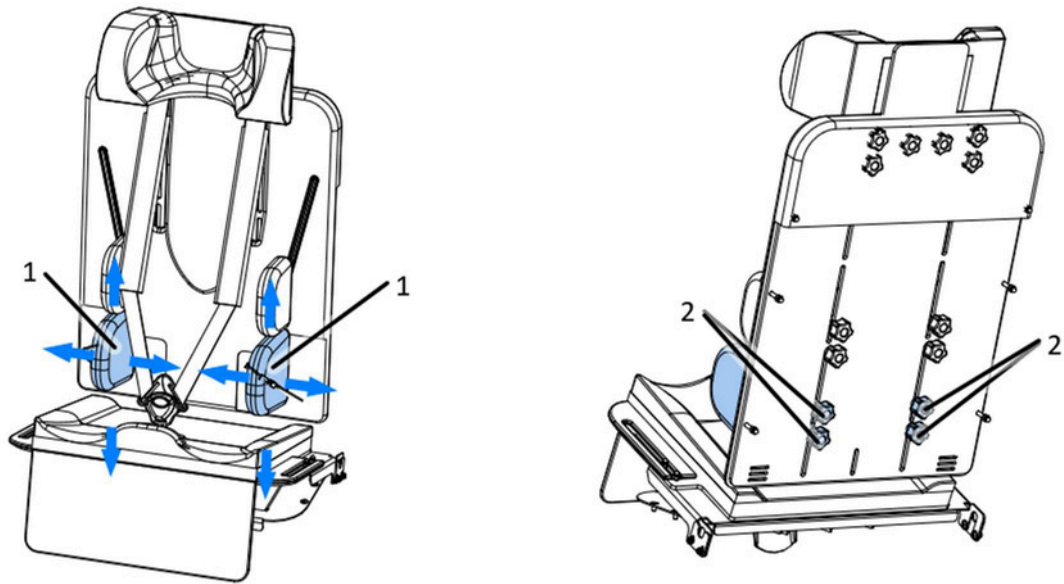


Fig. 22

8.3 Stabilising belt

The stabilising belt (1) is designed to stabilise the pelvis and hips. The belt length is adjusted directly on the fastening buckles (2).

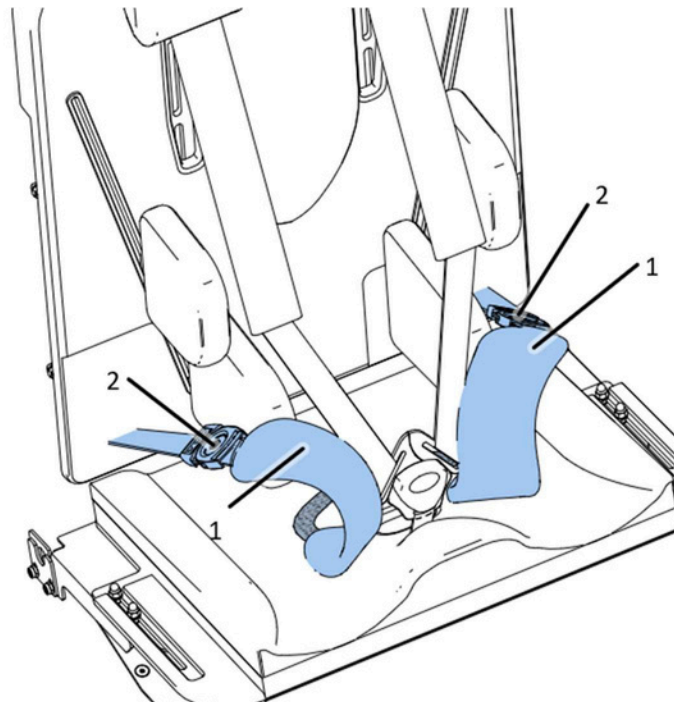


Fig. 23

8.4 Footrest

Footrest is intended to support feet during ride. To adjust footrest there is need to unscrew wingnuts on carriage bolts (2) and move footrest (1) in position allowing comfortable resting feet. After getting satisfying position fix wingnuts for locking footrest.

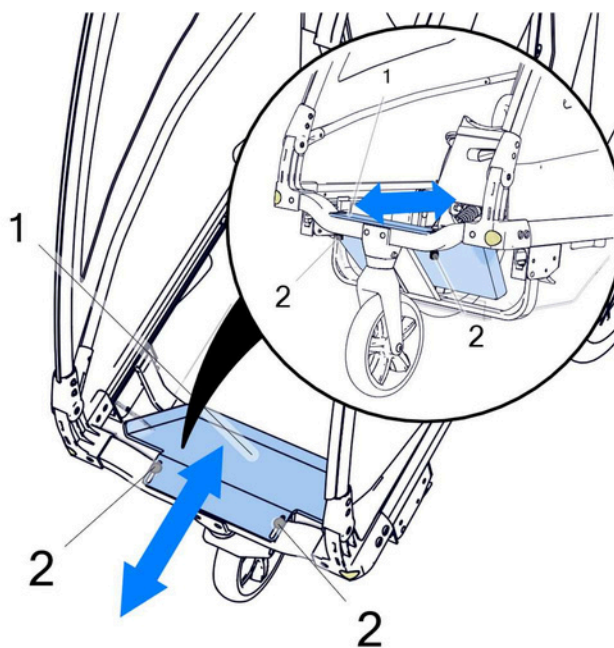


Fig. 24

8.5 Headrest

The headrest (1) is responsible for supporting the child's head when he or she cannot keep their head in the correct position. The headrest can be attached using a hook-and-loop fastener on the upholstery of the backrest or above the backrest if required. In order to mount the headrest above the backrest, unfasten the zip fastener located in the upper middle of the backrest upholstery, leaving a slot of approximately 15 cm. Then, unfasten the knobs (2) located at the back of the backrest and, holding the knobs (2), slide out the headrest bracket (3), to which the headrest needs to be mounted. After setting the headrest position, tighten the knob (2).

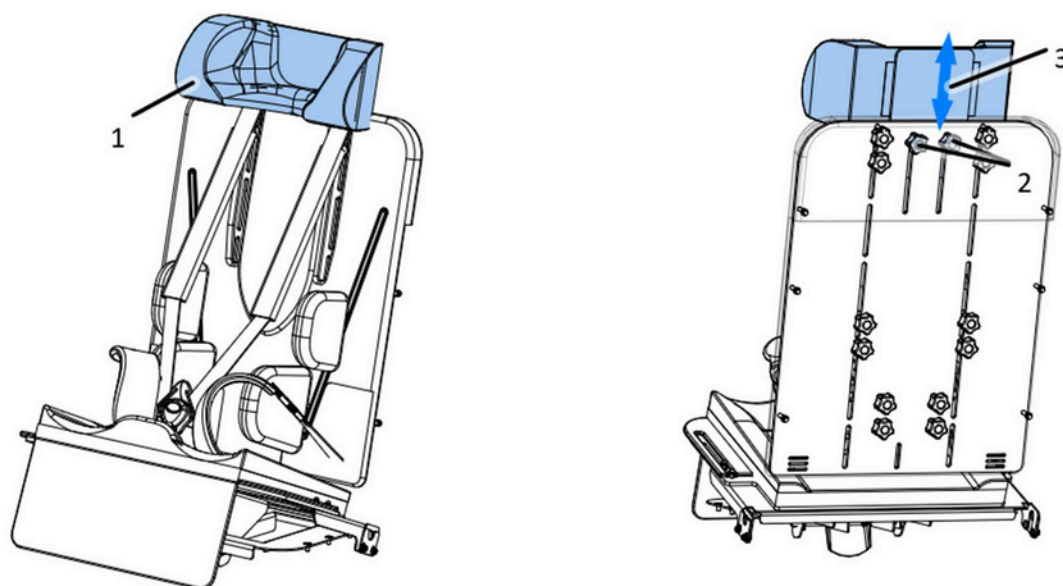


Fig. 25

8.6 16" front wheel

The 16" front wheel is an accessory that is especially recommended when the stroller is used during walks on an irregular terrain. Having installed the large front wheel, you can also use the stroller when, for example, jogging. In order to mount the large wheel, slide the guide bars (1) of the 16" wheel into the locks (2) located at the side of the frame, then insert the pins (3) and engage the locking lever (4). Subsequently, mount the 16" wheel (5) in the yokes (6) and lock the wheel axle with the lever (7).

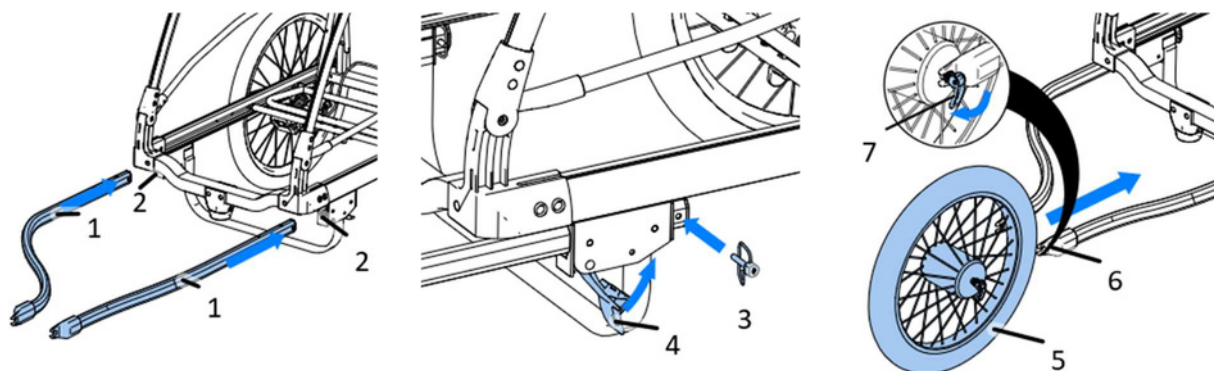


Fig. 26



ATTENTION! After mounting the wheel, make sure that all the elements are properly secured.

9 Cleaning and maintenance

In order to maintain the device in good working order, regularly clean the stroller and its accessories and check the mechanical components for any loose connections and wear and tear of wear parts.

Before each use, check the tyre pressure and check the tyres for damage (tears, cuts, wear) and make sure the rear wheel lock is in good working order.

Clean the stroller regularly. If the stroller is used in bad weather conditions and on an unfavourable terrain (mud, snow, salt or sand), the stroller needs to be cleaned after each use.

- Regularly remove dirt and mud from the frame and the movable parts of the mechanisms.
- The paint coats of the frame and plastic elements are to be cleaned using a cloth moistened with water. Using mild cleaning agents is acceptable.
- For cleaning, do not use aggressive chemicals and strong water jets because such measures could damage the paint coat and expose the components to faster wear and tear.
- Avoid long exposure to sunlight and always check the seat temperature before use.

Cleaning the accessories with upholstered elements:

- Do not machine wash the upholstery elements.
- For cleaning, do not use aggressive chemicals and strong water jets.



ATTENTION! Before using the device again, the upholstery should be dry.



ATTENTION! The stroller should be maintained at least once a year (every 12 months) by a qualified service person. During the maintenance, perform a safety check of the stroller, which includes the condition of movable fixing points, fastening mechanisms and adjustments. The periodic maintenance of the device ensures long and trouble-free operation.



10 Storage and transported

NOTE!

The device can be stored/transported and used at -20°C to +40°C and 10% to 90% RH; however, it is recommended that the device be stored/transported at room temperature and humidity.



If the device has been stored/transported at a high ambient temperature and been exposed to direct sunlight, make sure the device has a safe temperature of use, i.e. the guardian should check whether the device temperature is not too high before the user has any contact with the device.

11 Handling the device

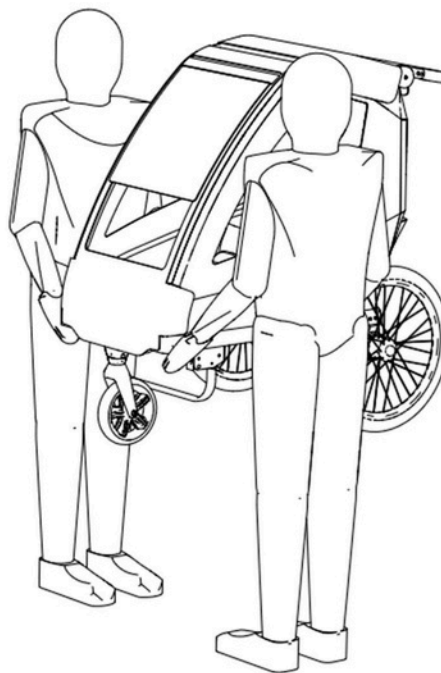


Fig. 27

The HIRO BUGGY Special Needs Stroller should be handled two-handedly by two persons. Lift the device by fixed frame elements. The proper handling of the device is shown in Fig. 27.



ATTENTION! Under no circumstances should you carry the device when it is occupied.

12 Nameplate of the stroller for special needs children

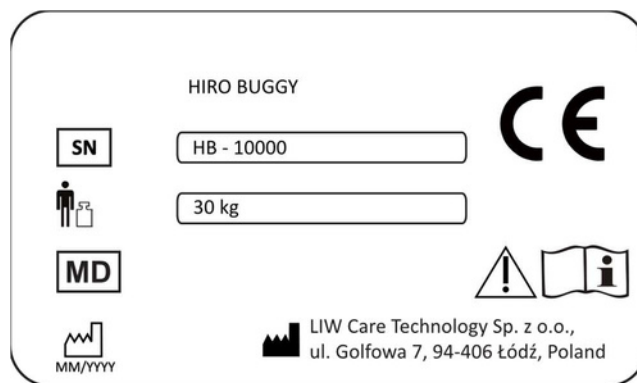


Fig. 28

The nameplate is attached to the frame. The nameplate contains information on the manufacturer, product name, serial number, maximum patient weight and other annotations.

13 Guarantee/service

If you notice any defects or damage, immediately stop using the device and contact the seller or the manufacturer. A damaged device needs to be secured against further damage to the affected area. Do not attempt at repairing the device by yourself. Do not substitute the original parts of the device with home-made parts or parts obtained from a source different than the one recommended by the manufacturer.

- If the user ceases to use the device, they are required to dispose of it in accordance with the environmental regulations.
- According to the manufacturer, the useful life of the device is 5 years.
- The post-warranty service is carried out by the manufacturer.

Service contact details:

LIW Care Technology Sp. z o.o., ul. Golfowa 7, 94-406 Łódź.

www.liwcare.pl

Tel.: 42 212 35 18 e-mail: reklamacje@liwcare.pl

- The up-to-date address details are available at www.liwcare.pl.
- The terms and conditions of warranty are specified in the warranty card that forms an integral part of these instructions.

The warranty card is on the last page of these instructions.

WARRANTY CARD

This Limited Warranty is extended only to the original purchaser. Baffin Technology Systems Limited warrants Baffin Trio against defects in materials and workmanship from the date the product is delivered to the original purchaser by Baffin Technology Systems Limited.

Your new HIRO buggy is guaranteed from the date of delivery as listed below:

1. Two years for all material and manufacturing defects of mechanical parts.
 2. One year for all electronic components, including the actuators.
 3. Upholstered components, plastic, rubber, painted surfaces, and bearings.
 4. 180 Days for batteries and other parts not specifically identified above.
- If the product is rented or otherwise not sold to a consumer, the warranty period commences from the invoice date from Baffin Technology Systems Limited.
 - Any product proven to be to Baffin Technology Systems Limited's satisfaction to be defective and within the warranty period shall be repaired or replaced by Baffin Technology Systems Limited free of charge.
 - Baffin Technology Systems Limited's sole obligation and customers' exclusive remedy Under this warranty, such repair and replacement shall be limited.
 - Freight charges (if necessary) to the factory are at the customer's expense. Return Baffin Technology Systems Limited will prepay freight charges.
 - Baffin Technology Systems Limited will not repair or replace free of charge any part or Parts were found to be defective due to abuse, misuse, or lack of maintenance.
 - The Customer has no claim on warranty if there has been any design, mechanic, or electronic modifications have been made (except those done by Baffin Technology Systems in partnership with Liw Care Technology) on the Baffin Trio without the approval from Baffin Technology Systems.
 - Baffin Technology Systems Limited and Liw Care Technology SHALL NOT BE
LIABLE
FOR ANY CONSEQUENTIAL OR INCIDENTAL DAMAGES WHATSOEVER.

Baffin Technology Systems Limited, in partnership with LIW Care Technology, maintains a policy of continual product improvement and reserves the right to change features, specifications and prices without prior notification. Check with Baffin Technology Systems Limited for the latest information. Your statutory rights are not affected.

Baffin Technology Systems Limited



EU DECLARATION OF CONFORMITY

Manufacturer:

LIW Care Technology Sp. z o.o.
ul. Golfowa 7
94-406 Łódź, Poland

SRN (Single Registration Number): PL-MF-000034242

Hereby declares that

HIRO BUGGY
intended purpose: assistive pushchair

bearing CE mark is a Class I medical device, Rule 1 in accordance with Annex VIII of Regulation (EU) 2017/745 of the European Parliament and of the Council of 5 April 2017 on medical devices and fulfills the requirements specified in this Regulation.

The conformity assessment was done according to Regulation (EU) 2017/745 of the European Parliament and of the Council of 5 April 2017 on medical devices.

Medical device is in conformity with the relevant harmonized standards.

Basic UDI-DI: 5904384015HIRO5H

EU declaration of conformity is issued under the sole responsibility of the manufacturer.

On behalf of the manufacturer:
Tomasz Chmielecki, CEO

Signature:

LIW CARE TECHNOLOGY Sp. z o.o.
94-406 Łódź, ul. Golfowa 7
NIP: 729-266-53-87, REG. 100715121
KRS:0000333719

Łódź, 11th of June 2024

Manufacturer's seal