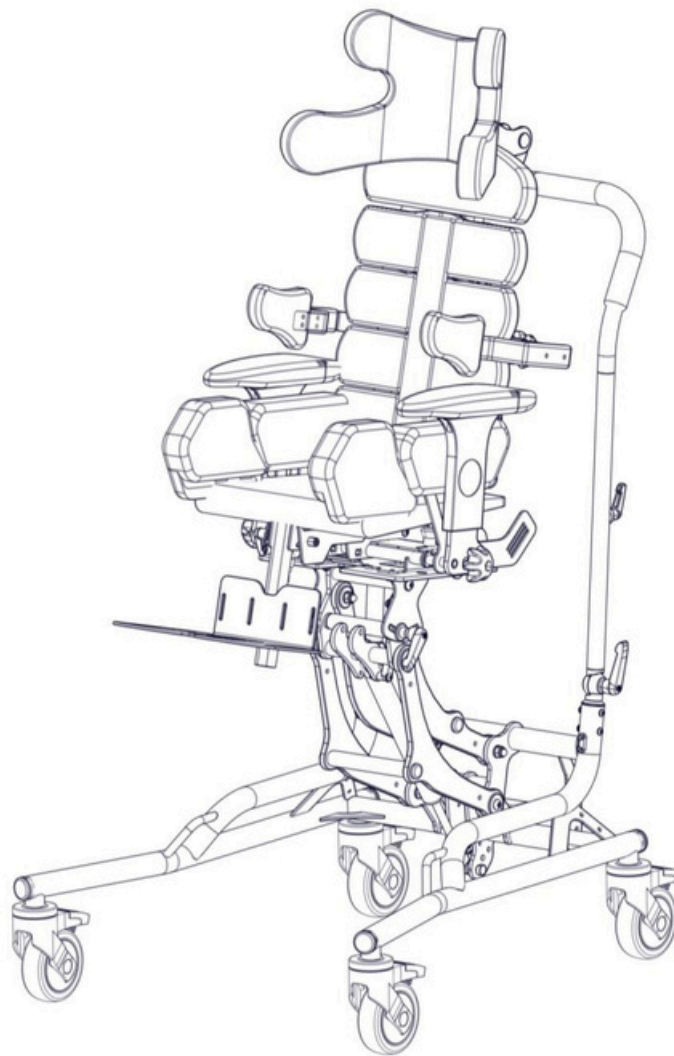


MANUAL FOR  
ORTHOPAEDIC SEAT STABILISING BACK  
AND HEAD FOR CHILDREN

# BAFFIN neoSIT HL



sizes: S,M,L  
control: manual



*Edition 3 – 26.05.2021*





SCAN FOR VIDEO MANUAL

**Distributor's contact details:**



**Baffin Technology Systems Limited**

**Michaelmas House  
Royal Oak Way North  
Daventry NN11 8PQ**

**Company number 10131813**

**Vat Registration No 242 5610 31**

**Phone 01788 711 904 | Mail: office@baffin.co.uk**



**NOTE!** THE MANUFACTURER IS SOLELY RESPONSIBLE FOR THE EQUIPMENT PURCHASED FROM A DIRECT REPRESENTATIVE OF LIW CARE TECHNOLOGY, OR IN SPECIALISED MEDICAL SHOP REPRESENTING LIW CARE TECHNOLOGY IN POLAND.



**NOTE!** USE ONLY INDOOR WITH NO THRESHOLDS.



**NOTE!** WHEN USING THE PRODUCT, IT SERVICE, MECHANISMS SUBMITTING AND REGULATING, MAY BE DANGER OF ENTRAPMENT AND COMPRESSION OF THE USER'S/ACCOMPANYING PERSON'S BODY IN HOLES/SLOTS BETWEEN THE ELEMENTS. IT IS ADVISED TO PERFORM THESE STEPS VERY CAREFULLY. AFTER ADJUSTMENT, STABILISE THE POSITION BY ACCURATELY TIGHTENING NUTS AND BOLTS.



**NOTE!** DO NOT LEAVE A CHILD IN BAFFIN NEOSIT HL UNSUPERVISED.



**NOTE!** DO NOT EXCEED MAXIMUM USER WEIGHT FOR BAFFIN NEOSIT HL ORTHOPAEDIC SEAT FOR CHILDREN.



**NOTE!** DO NOT USE BAFFIN NEOSIT HL ORTHOPAEDIC SEAT FOR CHILDREN IF THERE ARE FAULTY, BROKEN OR MISSING PARTS.



**NOTE!** READ THE MANUAL NECESSARILY BEFORE START-UP.

1.	Introduction .....	3
2.	Symbol meaning.....	3
3.	Intended Use of the Device .....	4
4.	Indications for product use .....	4
5.	Technical Specification .....	5
6.	Adjustments and fitting .....	6
1.	Adjustment .....	6
6.1	Width Adjustment .....	6
6.2	Depth Adjustment .....	6
6.3	Backrest Adjustment.....	7
6.4	Backrest Angle Adjustment.....	8
6.5	Raising and lowering the seating system .....	8
6.6	Buttock Support Height Adjustment .....	9
6.7	Footrest Length Adjustment .....	10
6.8	Footrest Angle Adjustment.....	10
6.9	Armrest Height Adjustment.....	11
6.10	Adjusting the seat angle .....	12
6.10.1	Regulating the seat's tilt angle using the lever .....	12
6.10.2	Adjusting the angle by using the gas spring.....	13
6.11	Wheel brakes .....	13
6.12	Adjusting the push handle .....	14
6.12.1	Regulating the push handle – folding in one position.....	14
6.12.2	Regulating the push handle – folding in two position.....	14
7.	Accessories.....	15
7.1	Headrest .....	15
7.1.1	Headrest Assembly.....	16
7.1.2	Headrest Adjustment .....	16
7.2	Side Supports.....	16
7.2.1	Assembly of side supports .....	16
7.2.2	Width adjustment of side supports .....	16
7.2.3	Height adjustments of side supports .....	16
7.3	Space adjustment of thigh supports .....	16
7.4	Fixing and Adjusting the Vest, Legs abduction belts and Pelvic Belts .....	17
7.5	Push handles for the seating system .....	18
7.6	Table .....	18
7.6.1	Adjusting the Spacing of the Table Handles .....	18
7.6.2	Table Assembly.....	19
7.6.3	Table Tilt Angle Adjustment .....	20
7.7	Separate Footplates.....	20
7.8	Spine interlock adjustment.....	21
7.9	Seat interchangeable system – polyamide trapezoid .....	22
8.	Moving device .....	23
9.	General Care & Cleaning .....	24
10.	Service & Maintenance.....	25
11.	Identification plate .....	25

## 1. Introduction



Thank you for purchasing BAFFIN neoSIT HL, an orthopaedic seat for children stabilising the back and head, by LIW Care Technology Care Sp. z o.o. We are confident that the innovative device with advanced anatomical body adjustment features

will improve the comfort of work and leisure time for the user in the sitting position.

Developed by LIW Care Technology Sp. z o.o., the BAFFIN neoSIT HL - orthopaedic seat for children stabilising the back and head has been designed to provide an alternative to standard orthopaedic seats with limited anatomical adjustment ranges and bespoke seats which perfectly map out the body curvatures. However, they do not allow correcting the user's body posture.

We ensured that the seat was as simple to use as possible while allowing fitting the anatomical shape of the user and correct the posture.

For safety and comfort whilst using the BAFFIN neoSIT HL and to avoid the risk of any damage to the equipment, it is very important to read these instructions before use and to ensure the recommendations and warnings, are read and understood, by the user and any others involved in operating the equipment.

### Warnings & Safety Information

For LIW Care Technology Sp. z o. o., the most important thing is to protect the patients who use our equipment. To ensure the safety of BAFFIN neoSIT HL users, the following recommendations should be adopted:

1. Please read the instructions before first use. If any questions or doubts should arise, please contact your dealer or the manufacturer.
2. Please make sure that all information, tips and warnings included in these chapters are well understood.

In these instructions for LIW Care Technology Sp. z o. o. products, you will find information marked with the "NOTE!" symbol. It is used to draw the reader's particular attention to the text. It looks as follows:



**NOTE!** THE SYMBOL IS USED TO DRAW THE READER'S ATTENTION TO THE TEXT WHICH IS MARKED WITH THIS SYMBOL. FAILURE TO COMPLY WITH THE INSTRUCTIONS MAY ENDANGER THE HEALTH AND SAFETY OF THE USER OR CAUSE DAMAGE THE PRODUCT.



**NOTE!** THE USER SHOULD NOT BE TRANSPORTED IN THE BAFFIN NEOSIT RS IN A VEHICLE.



**NOTE!** IT IS IMPORTANT THAT REGULAR SERVICE AND MAINTENANCE ARE CARRIED OUT. THIS WILL MAXIMISE THE LIFE OF THE EQUIPMENT.

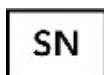
## 2. Symbol meaning



Manufacturer's name



Date of manufacture



Serial Number



Maximum user weight



Avoid contact with water



Note! Follow product instructions



Unlocking direction



Movement direction



Mark of conformity according to the Regulation 2017/745 of the European Parliament and of the Council (EU) dated from April 5th, 2017 on medical devices, Annex V.



Medical device

### 3. Intended Use of the Device



Hereby we confirm that the BAFFIN neoSIT HL - orthopaedic seat for children meets the requirements of the Regulation of the European Parliament and of the Council (EU) 2017/745, dated April 5th, 2017, on medical devices.

The BAFFIN neoSIT HL - orthopaedic seat for children by Annex VIII of the Regulation of the European Parliament and of the Council (EU) 2017/745 dated April 5th, 2017, on medical devices is a non-invasive, active class I medical device according to rule 1.

Declaration of Conformity for this product is available from the manufacturer's Sales Department.



**NOTE! IF PRODUCT HAS BEEN MODIFIED USING NON - AUTHENTIC PARTS OR PARTS PRODUCED BY ANOTHER MANUFACTURER, REMOVE THE CE MARK.**

### 4. Indications for product use



The BAFFIN neoSIT HL is intended for users whose height is within the 85 -130 cm range, with a weight limit of 60 kg. Intended Users are those with faulty postures and muscle dysfunction. Particular conditions include cerebral palsy, muscular dystrophy, paralysis of various types, tetra and paraplegia. It can be used in treatment to help prevent the consequences of postural defects and malfunctioning of the body connected with them. The device makes it possible to put the spine and pelvis in a correct (optimal) position. An innovative feature of this device is that it “grows” with the child as it can be adjusted to their current position and height. If you have any questions or doubts, contact your equipment provider/clinician in the first instance.

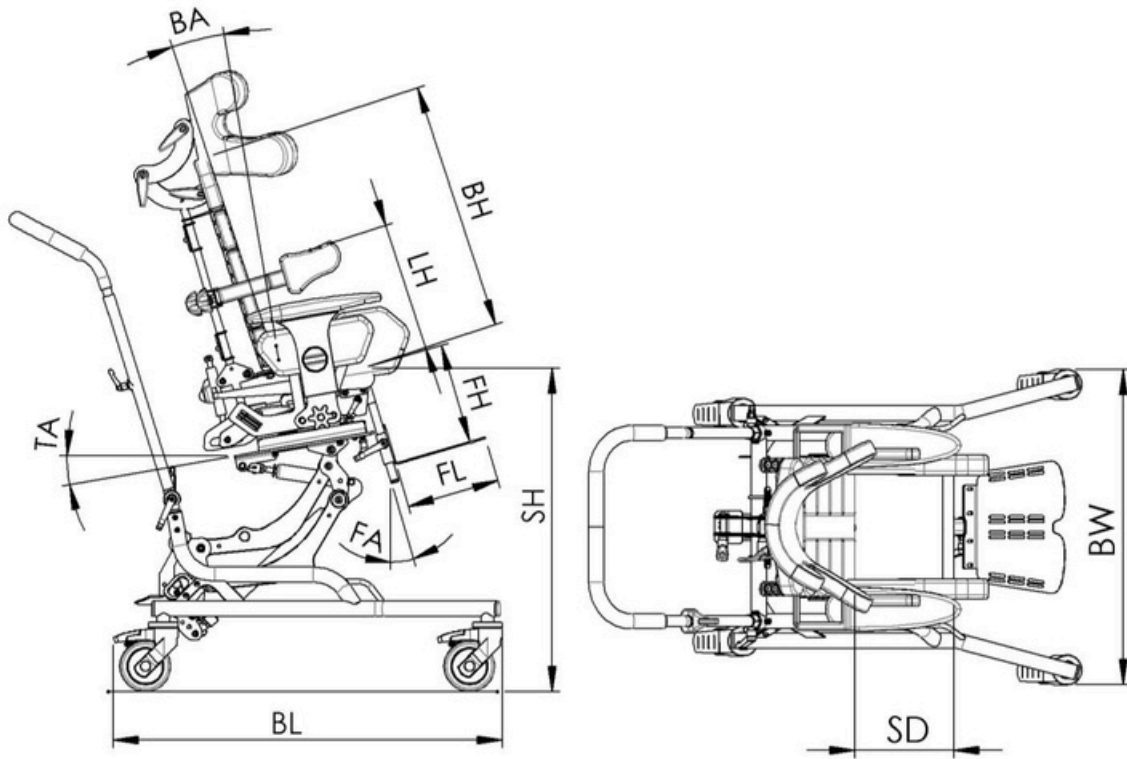


Fig. 1

There are three sizes of the Baffin neoSIT HL. Size details are shown in the table below:

No.	Dimension	Dimension symbol	Dimension [cm]		
			S	M	L
1	Seat height	<b>SH</b>	37÷68	37÷68	37÷68
2	Back height	<b>BH</b>	42	50	58
3	Back angle	<b>BA</b>	-5°÷25°	-5°÷25°	-5°÷25°
4	Base length	<b>BL</b>	77	77	77
5	Base width	<b>BW</b>	63	63	63
6	Foot platform height	<b>FH</b>	17÷27	17÷27	28÷38
7	Foot platform length	<b>FL</b>	18	18	21
8	Wheel diameter	<b>RW</b>	10	10	10
9	Seat depth	<b>SD</b>	16÷31	20÷31	27÷40
10	Seat width	<b>SW</b>	15÷30	15÷30	20÷32
11	Footplate angle	<b>FA</b>	-10°÷45°	-10°÷45°	-10°÷45°
12	Tilt angle	<b>TA</b>	-10°÷30°	-10°÷30°	-10°÷30°
13	Lateral support height	<b>LH</b>	16÷35	16÷40	20÷45
14	Maximum user's weight		60kg	60kg	60kg



**NOTE!** PRIOR TO USING THE DEVICE, MAKE THE FOLLOWING ADJUSTMENTS TO FIT IT TO THE USER'S BODY.



**NOTE!** AFTER EVERY SINGLE ADJUSTMENT, YOU NEED TO MAKE SURE THAT ALL THE COMPONENTS ARE CORRECTLY POSITIONED AND LOCKED.

### 6.1 Width Adjustment

To adjust the side pelvic supports turn the knob one right or left until the required dimensions are obtained.

The adjustment elements are situated on the left and right, allowing for symmetrical and asymmetrical positioning of the user's pelvis.

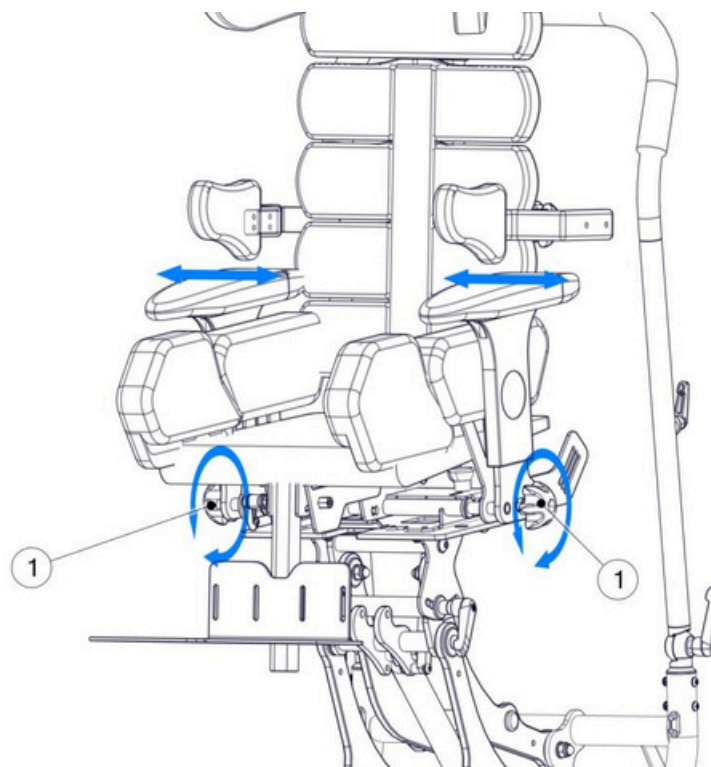


Fig. 2

### 6.2 Depth Adjustment

To unlock, loosen bolts 3 located on each side. After unlocking the screws, set the depth by pushing or pulling the front part of the device. To lock, tighten bolts 3. If the adjustment range provided by bolt 3 is not sufficient, additional adjustment may be obtained by loosening bolt 7 and pulling or pushing the backrest. After completing the adjustment procedure, make sure the bolts 7 are tightened.



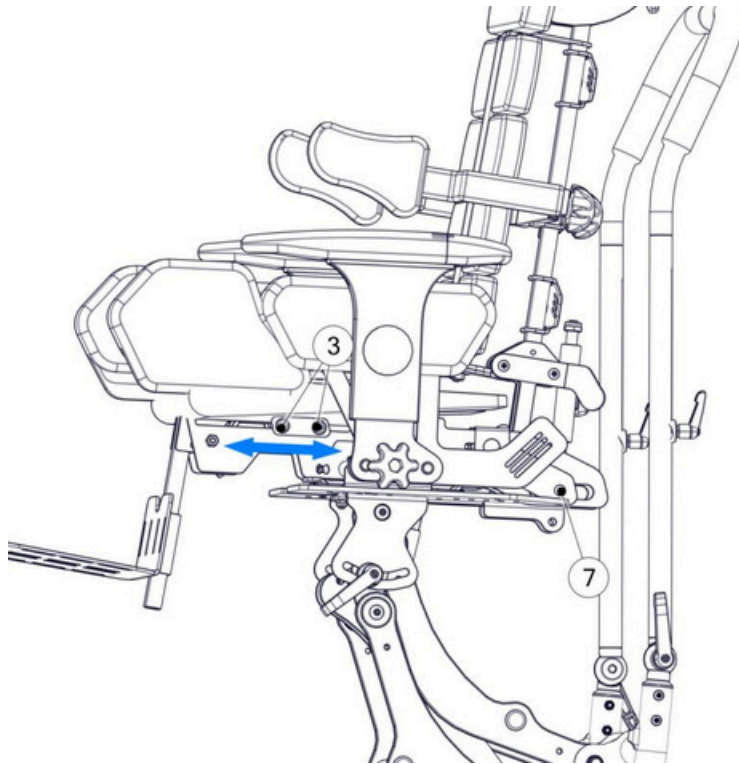


Fig. 3

### 6.3 Backrest Adjustment

The backrest has a unique design, enabling the user to obtain its corrective or anatomical shape. The central core comprises several independent segments. The backrest can be modelled anatomically after loosening the adjustment screw 10. After the backrest optimum shape is obtained, re-tighten the adjustment screw 10.

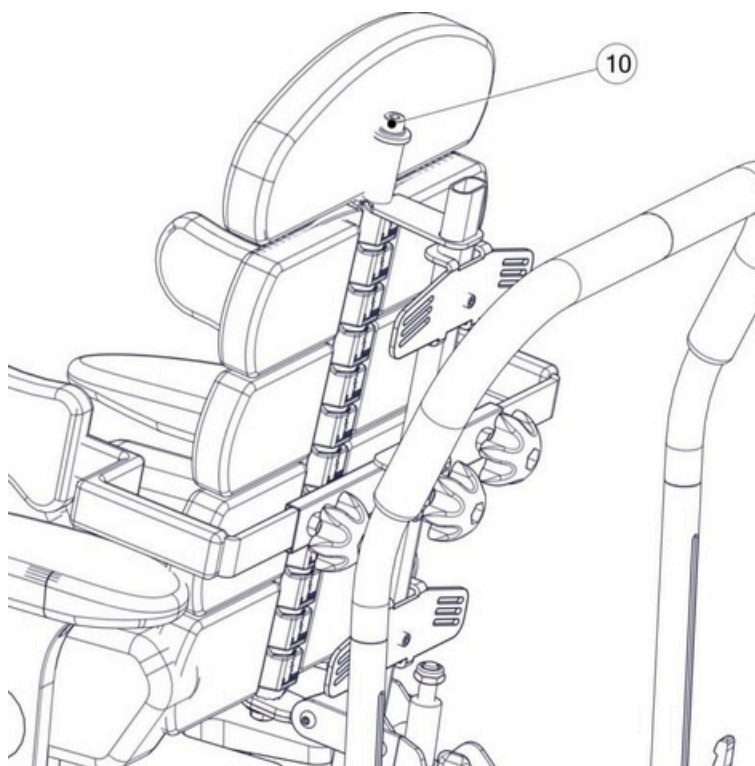


Fig. 4



**NOTE!** THE ADJUSTMENTS MUST BE CARRIED OUT PRECISELY AS THEY HAVE IMPACT ON THE SPINE POSITION.

#### 6.4 Backrest Angle Adjustment

To change the angle of the backrest, lever 4 should be turned and held. The required angle position should be adjusted with a hand, and then the lever should be released.

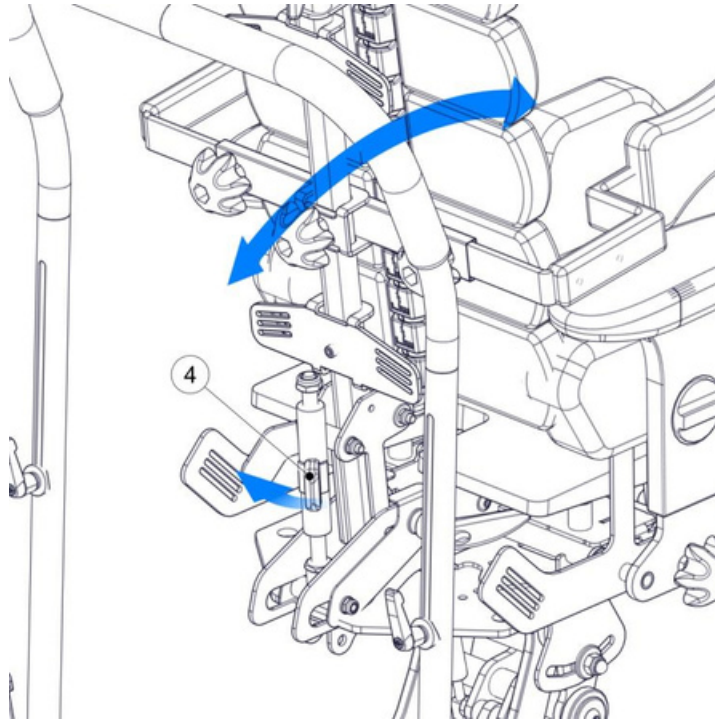


Fig. 5



**NOTE!** WHILE THE PATIENT IS GIVING PRESSURE TO THE BACK, RELEASING OF THE LEVER WILL CAUSE THE RAPID FALL OF ONE, SO THE FALLING BACK SHOULD BE ALWAYS PROTECTED BY THE HAND!

#### 6.5 Raising and lowering the seating system



**NOTE!** WHILST LOWERING THE SEAT PLATFORM WITH THE USER, PRESS THE RETARDANT PEDAL AND HOLD THE HANDLE UNDER IN THE SEAT BASE WITH BOTH HANDS. UNSER NO CIRCUMSTANCES HOLD/ PUT HANDS NEAR THE MOTION MECHANISM OF THE SEAT BASE; THERE IS A RISK OF HAND ENTRAPMENT!

One of the features of Baffin neoSIT HL, orthopaedic seat stabilising the head and back for children, is the option to adjust its height. The motion mechanism is designed in such a way that while changing the seat height, the tilt angle does not change in relation to the basis. The seat movement is supported by a gas spring. The spring has been selected in such a way that it prevents the seat from raising independently with its user; it is only possible with the aid of a carer. The upward and downward movement of a slow character and is suppressed by the force of the gas spring.

In order to change the seat height, press the retardant pedal (1) and set the required height. The retardant mechanism has an immobiliser to prevent accidental operation in the form of a bolt (2).

To unlock the adjustment feature, pull away the bolt lever (2) and turn it by approximately 90°; this will permanently unlock the lifting mechanism. After setting up the platform height, you must secure the mechanism against an accidental use by turning the bolt lever again (2) so that the locking mechanism is inserted again.

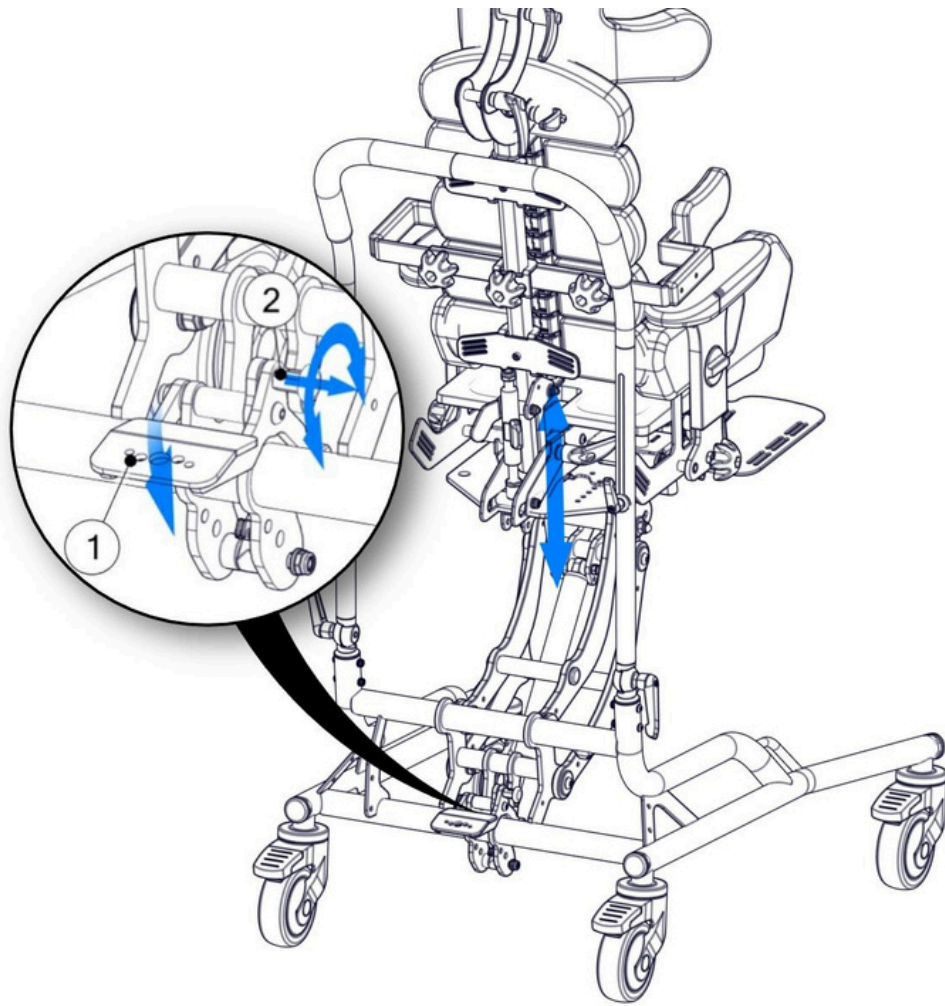


Fig. 6

### 6.6 Buttock Support Height Adjustment

Turn screw 9 until the required height is obtained.

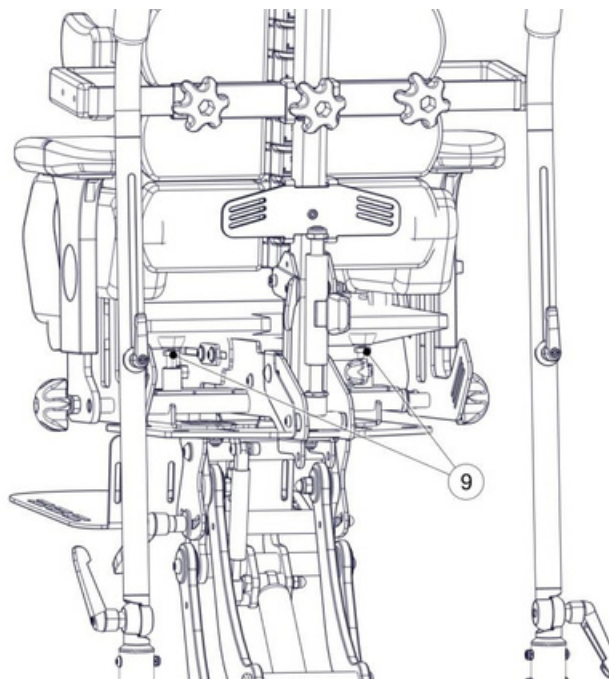


Fig. 7



**NOTE!** SCREWS 9 ARE LOCATED ON THE LEFT AND RIGHT SIDE OF THE DEVICE AND ARE INDEPENDENT FROM EACH OTHER, TO ENSURE ASYMMETRICAL ADJUSTMENT OF THE BUTTOCK SUPPORTS.



**NOTE!** TAKE PARTICULAR CARE WHEN ADJUSTING THE GLUTEAL SUPPORT, AS IT AFFECTS THE POSITIONING OF THE SPINE.

To facilitate the adjustment, the upholstery from the seat can be removed to provide access to the buttock ports.

### 6.7 Footrest Length Adjustment

To unlock, loosen knob 5. Move the footrest to the required length. Re-tighten knob 5 to lock into position.

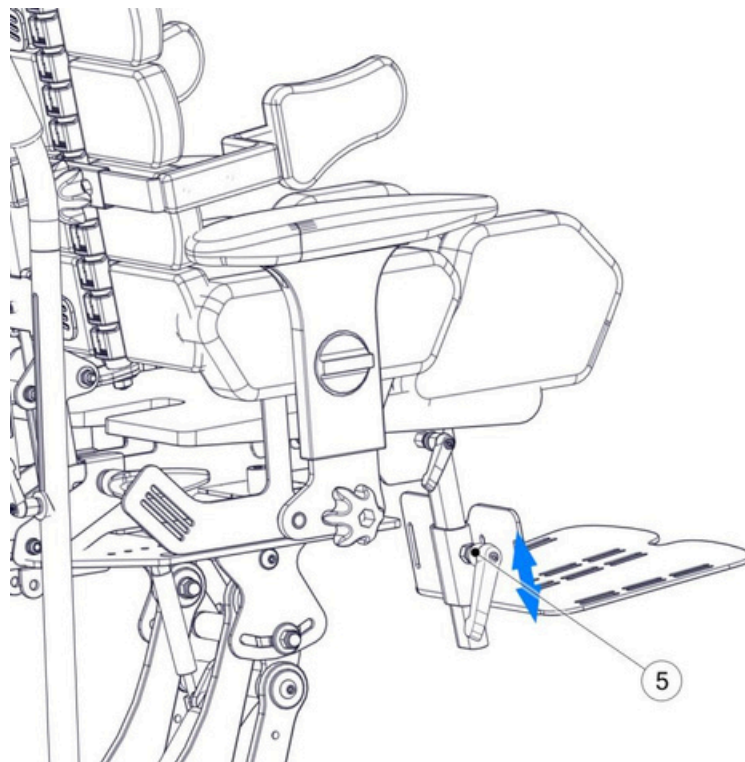


Fig. 8

### 6.8 Footrest Angle Adjustment

Loosen handle knob 8, set the required angle and re-tighten knob 8.

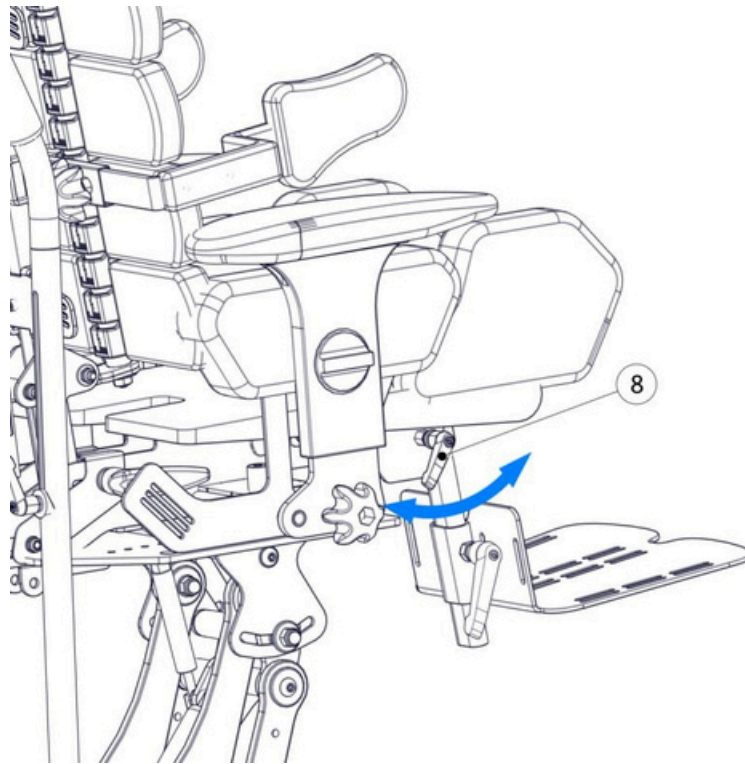


Fig. 9

### 6.9 Armrest Height Adjustment

Turn knob 12 until the required height is set. The knobs are located on the left and right side. They operate independently from each other, making it possible to adjust the armrest height asymmetrically.

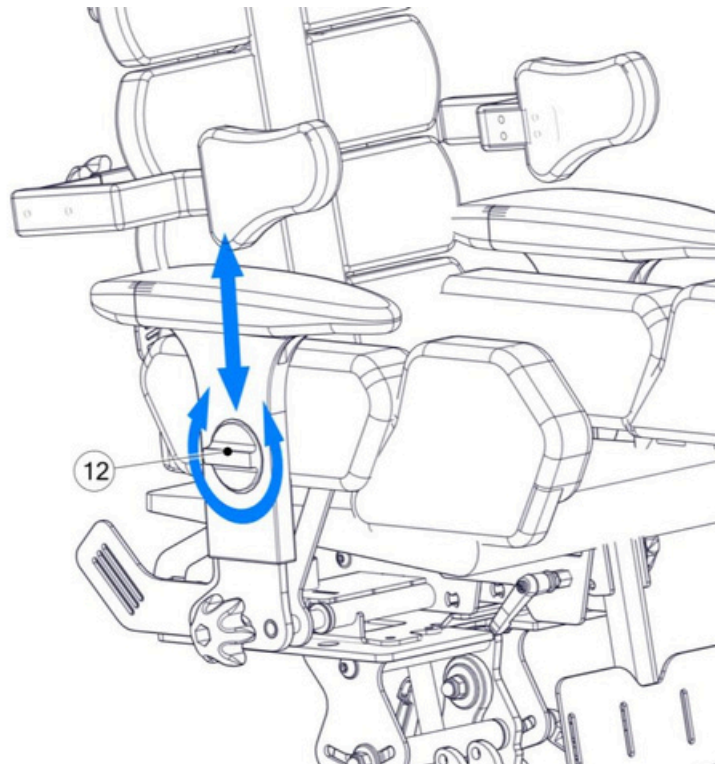


Fig. 10



**NOTE!** ONLY AUTHORISED PEOPLE CAN SET AND ADJUST THIS PRODUCT. THE SETTING AND ADJUSTMENT MUST BE CARRIED OUT BY A QUALIFIED CLINICIAN OR AUTHORISED QUALIFIED PERSONNEL.

CHECK PRECISELY THAT THE ADJUSTMENT IS CORRECT:

1. NO ELEMENT EXERTS EXCESSIVE PRESSURE ON THE USER'S BODY.
2. THERE IS NOT TOO MUCH FREE SPACE BETWEEN THE USER AND THE DEVICE.
3. ALL ADJUSTMENT SCREWS AND KNOBS ARE RE-TIGHTENED AFTER THE THE ADJUSTMENT PROCESS IS COMPLETED.

### 6.10 Adjusting the seat angle

The BAFFIN neoSIT HL seat's tilt can be adjusted in relation to the basis. Depending on the device's version, it is operated either manually using a lever or supported by a gas spring.



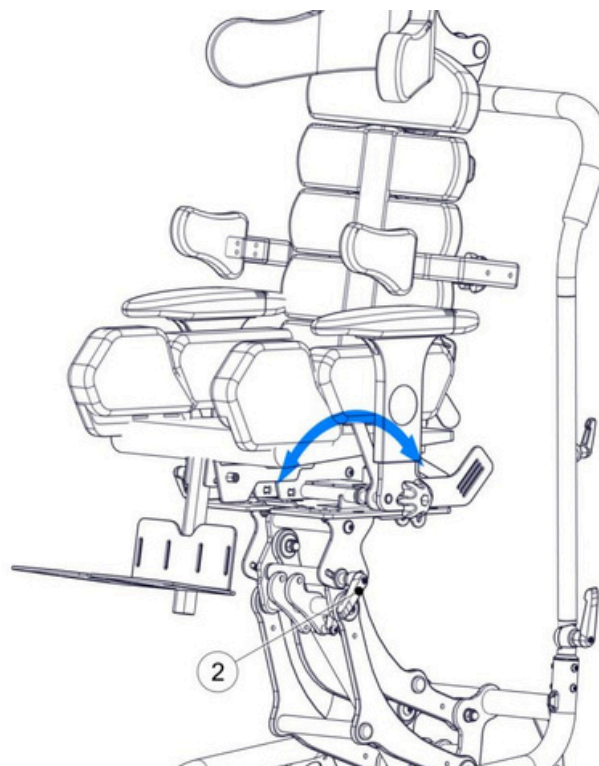
**NOTE!** AT THE MAXIMUM BACKWARDS TILT OF THE SEAT (30 DEGREES), THE POSSIBILITY OF LOWERING THE SEAT COMPLETELY BECOMES RESTRICTED; IT RESULTS FROM THE KINEMATIC SYSTEM OF THE DEVICE AND DOES NOT RESTRICT ANY REHABILITATION FUNCTIONS.

#### 6.10.1 Regulating the seat's tilt angle using the lever



**NOTE!** DURING ADJUSTING THE TILT ANGLE OF THE SEAT WITH ITS USER, HOLD THE RETARDANT'S LEVER WITH ONE HAND AND THE HANDLE WITH THE OTHER ONE. UNDER NO CIRCUMSTANCES HOLD/ PUT HANDS NEAR THE SEAT MECHANISM; THERE IS A RISK OF HAND ENTRAPMENT!

To set the required tilt angle of the seat, hold the seat by the handle, loosen the tilt lock by gently opening the release lever (2), arrange the seat in the required position and retighten the release lever. (2). Remember that the forward tilt is done by the force of the person operating the device. This may be more difficult for a patient with a maximum weight permitted. In this case, adjusting with the patient out of the seat would be best.



Rys. 11

### 6.10.2 Adjusting the angle by using the gas spring



**NOTE!** WHILE ADJUSTING THE TILT ANGLE OF THE SEAT WITH THE USER IN IT, HOLD THE RETARDANT'S LEVER WITH ONE HAND AND THE HANDLE WITH THE OTHER ONE. UNDER NO CIRCUMSTANCES HOLD/ PUT HANDS NEAR THE PLATFORM MECHANISM; THERE IS A RISK OF HAND ENTRAPMENT!

To set the seat at the required tilt angle, hold the seat by the handle and release the gas spring lever (3); the gas spring supports the platform's movement. Once the required position has been achieved, release the gas spring lever – this will lock it. Remember that the forward tilt is done by the force of the person operating the device. This may be more difficult for a patient with a maximum weight permitted. In this case, where possible, it is advisable to perform adjustments with the patient out of the seat.

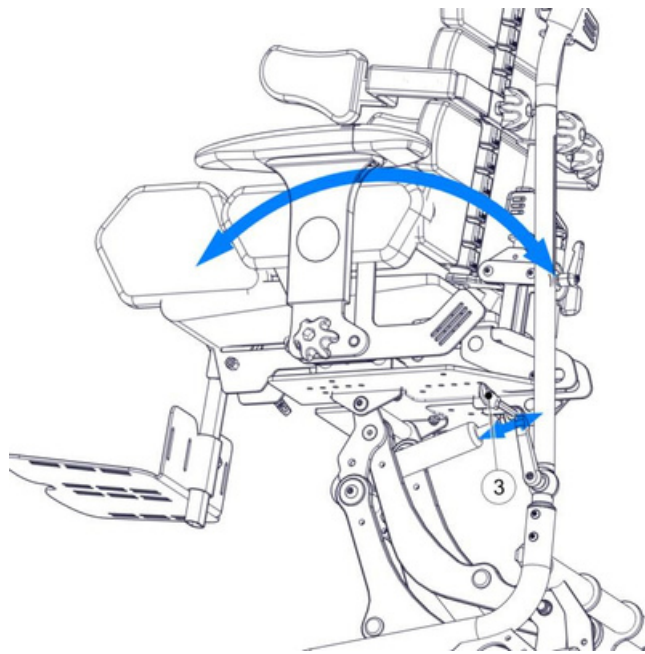


Fig. 12

### 6.11 Wheel brakes

Baffin neoSIT's HL Frame has four independent wheel brakes (1); brake levers are located directly on the wheels. To apply the brake, press the brake lever down (2). To release the brake, lift the brake. The wheel brakes are operated by foot.

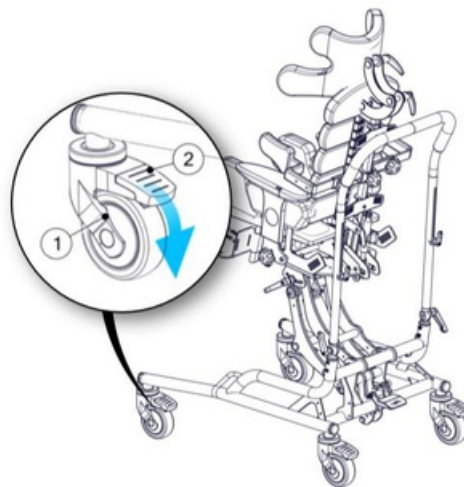


Fig. 13



**NOTE!** STABILITY OF THE DEVICE MAY BE AT RISK IN THE EVENT OF UNEXPECTED PUSH, TILTING OR LEANING ON IT.

## 6.12 Adjusting the push handle

Baffin neoSIT HL is equipped with a push handle used for transporting the device. Depending on the version, the seating system can be equipped with a push handle -folding in one or two positions.

### 6.12.1 Regulating the push handle – folding in one position.

To tilt the angle of the adjustable push handle (3), gently undo both levers (1) located at either side of the handle, set the required angle and retighten both levers. To set the handle height (3), gently loosen both levers (2), then set the height of the handle needed and retighten them.

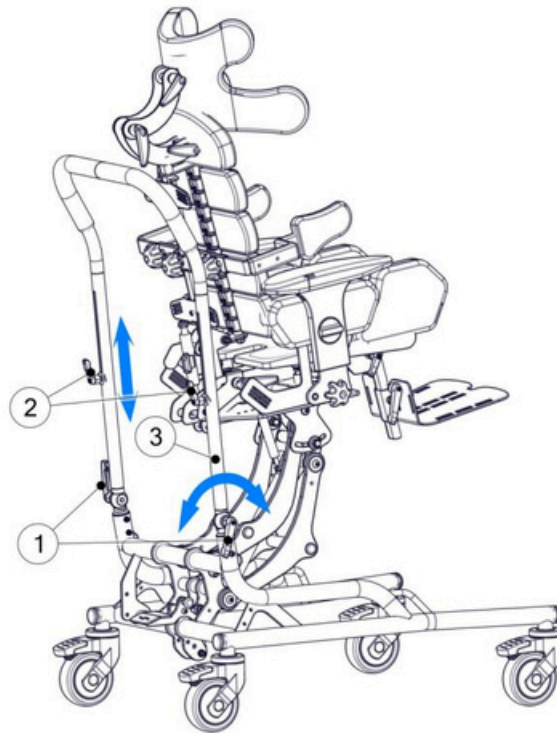


Fig. 14

### 6.12.2 Regulating the push handle – folding in two position.

To tilt the angle of the adjustable push handle (4), gently undo both levers (1) located at either side of the handle, set the required angle and retighten both levers. To set the appropriate position of the top part of the handle (5), gently undo both levers (3) at each side of the handle, set the proper position of the top of the handle and retighten both levers. To set the height of the handle (4), gently loosen up both levers (2), set the required height of the handle and retighten both levers.



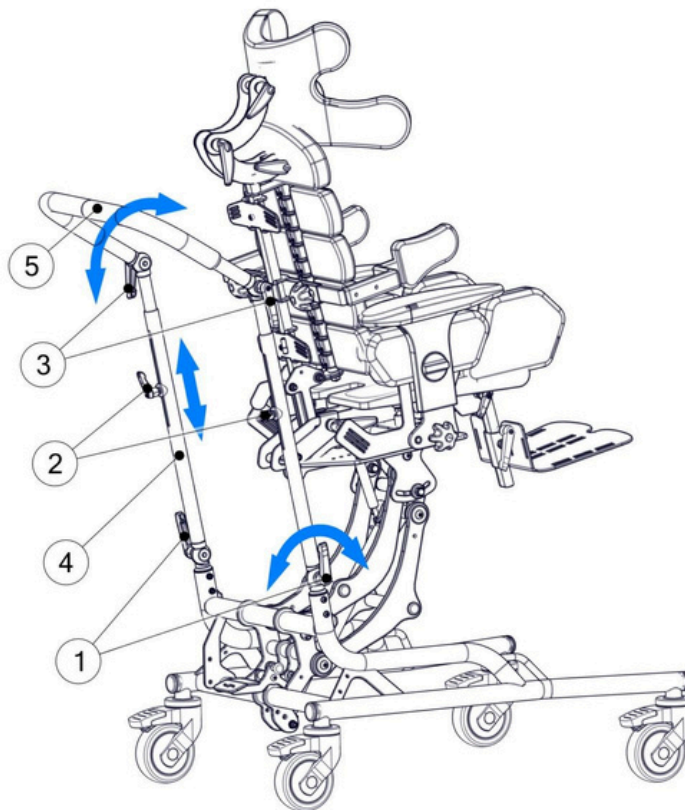


Fig. 15

7. Accessories ○○●●

7.1 Headrest

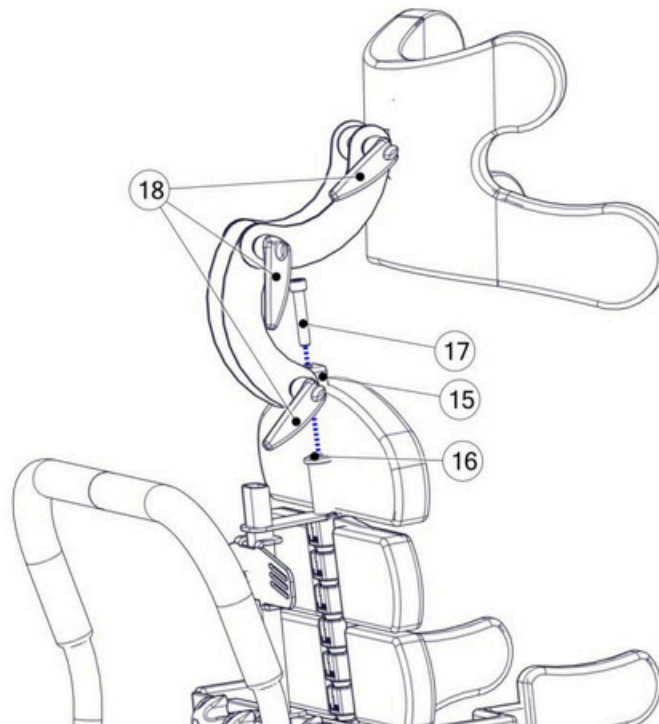


Fig. 16

### 7.1.1 Headrest Assembly

- Loosen the top adjustment screw spine 17.
- Insert the headrest fixing bracket 15 onto the backrest profile 16.
- Tighten the top adjustment screw 17.

### 7.1.2 Headrest Adjustment

- Loosen the adjustment knobs 18.
- Set the headrest in the correct position.
- Tighten the adjustment knobs 18.

## 7.2 Side Supports

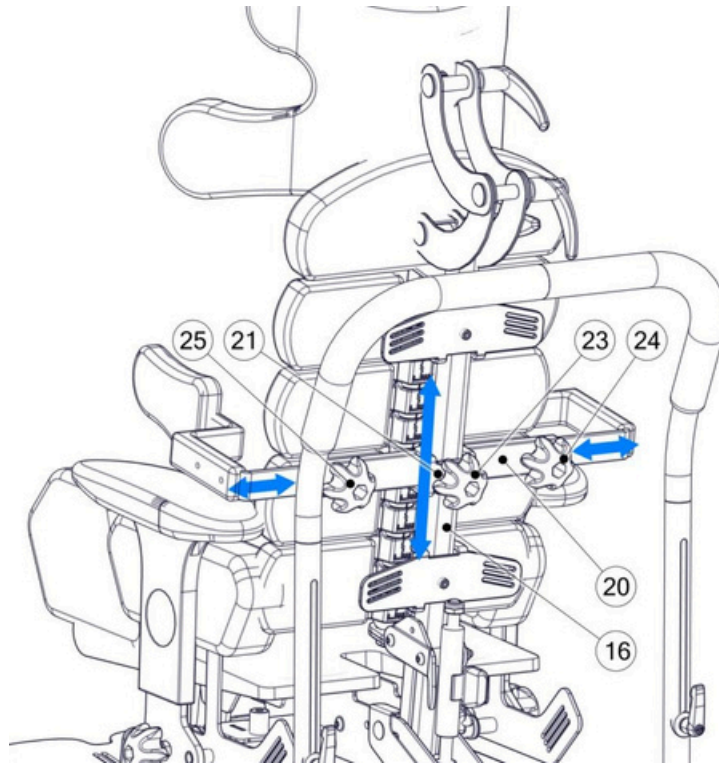


Fig. 17

### 7.2.1 Assembly of side supports

- Insert the arm support fixing bracket 20 onto the backrest profile 16.
- Slide the support plates 21 through the opening 22 located in the support fixing bracket.
- Tighten the fixing screw 23.

### 7.2.2 Width adjustment of side supports

- Loosen the screws 24 and 25.
- Draw the arm supports aside or towards each other until the required width is obtained.
- Tighten the screws 24 and 25.

### 7.2.3 Height adjustments of side supports

- Loosen the screw 23.
- Move the arm support 20 up or down until the required height is obtained.
- Tighten the screw 23.

## 7.3 Space adjustment of thigh supports

Space regulation of thigh supports is done by using two regulatory screws (1), found underneath the thigh supports. To regulate, lift the upholstery covering the thigh brackets and loosen the regulatory screw (1) to allow for unrestricted movement and setting the thigh supports into position. After setting the desired position, tighten the regulatory screw to lock the thigh supports in a particular position. Thigh Supports can be set at an angle relative to the device's length, allowing for ten ways of setting the thighs. Adjusting the thigh supports affects the proper positioning of the knee and pelvis. Independent regulation of the thigh supports allows for asymmetric adjustments.

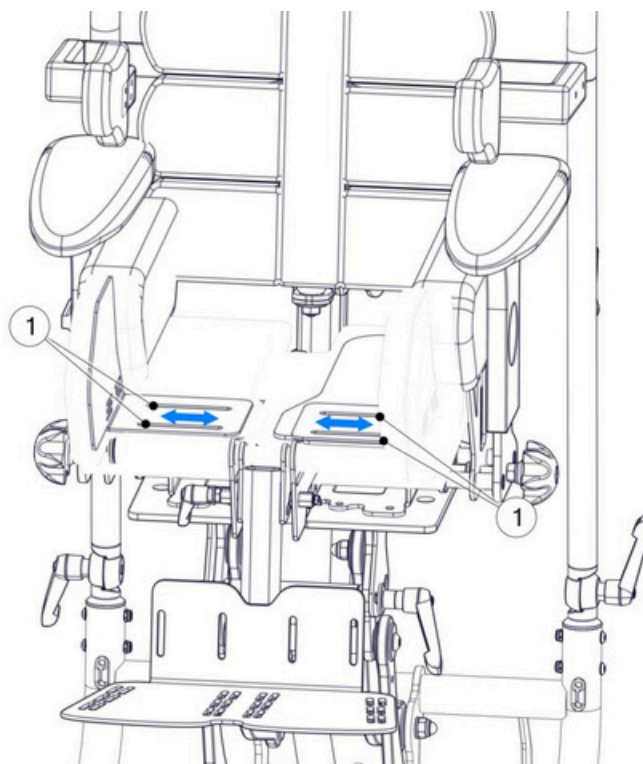


Fig. 18

#### 7.4 Fixing and Adjusting the Vest, Legs abduction belts and Pelvic Belts

The vest and the pelvic belts are fixed to the device using belts. To fix the vest correctly, pass the fastening belts through the holes in fastening loops 26. The length of the fastening belts can be adjusted by passing the belts through fastening loops on the backrest or through the buckles that fix the belts to the vest. The pelvic belts are fixed to the fastening loops behind the armrests 27. The length of the belts is adjusted by passing the fastening belts (loosening or tightening) through the fastening buckles or loops.

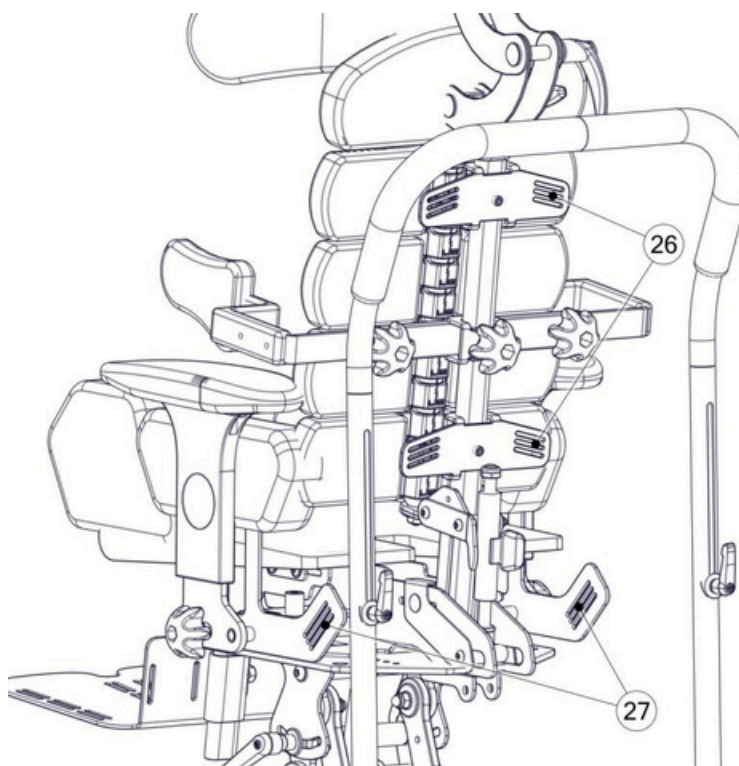


Fig. 19



**NOTE!** CHECK PRECISELY THAT THE ADJUSTMENT IS CORRECT:

1. NO ELEMENT EXERTS EXCESSIVE PRESSURE ON THE USER'S BODY.
2. THERE IS NOT TOO MUCH FREE SPACE BETWEEN THE USER AND THE DEVICE.
3. ALL ADJUSTMENT SCREWS AND KNOBS ARE RE-TIGHTENED AFTER THE THE ADJUSTMENT PROCESS IS COMPLETED.
4. MAKE SURE ALL BELTS ARE CORRECTLY FIXED IN THE FASTENING LOOPS ALL VEST AND HIP BELT BUCKLES ARE CORRECTLY SECURED.

### 7.5 Push handles for the seating system

The push handles of the seating system (1) are used when the handlebar is dismantled (3). They are mounted directly on the platform and used to raise the seating system (2) by joining elements.

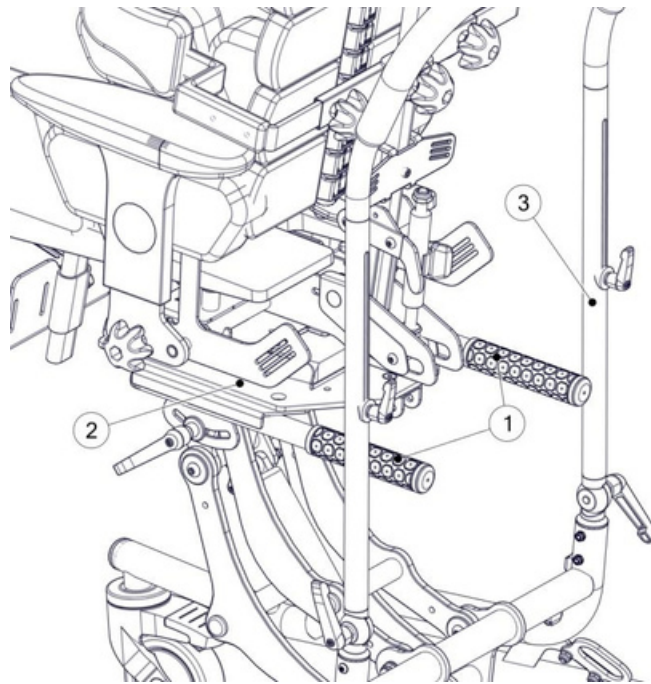


Fig. 20

## 7.6 Table

### 7.6.1 Adjusting the Spacing of the Table Handles

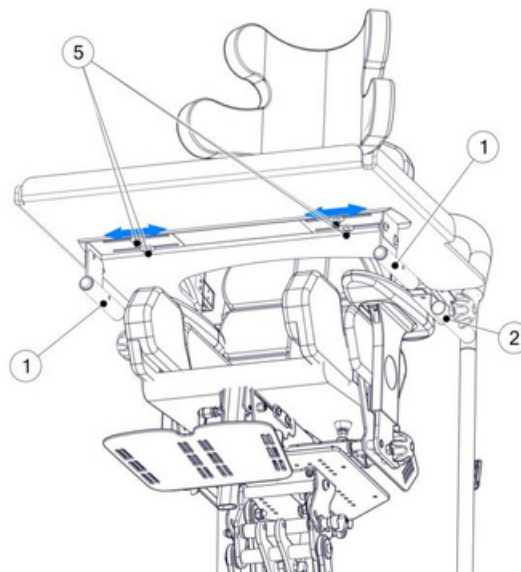


Fig. 21

To adjust the spacing of the table handles 1 to the spacing of the table sockets 2 located in the armrests, loosen the screws 5, which can be found on the table handles under the tabletop. Join or draw the handles apart adjusting them to the spacing of the sockets and tighten the table handles screws.

### 7.6.2 Table Assembly

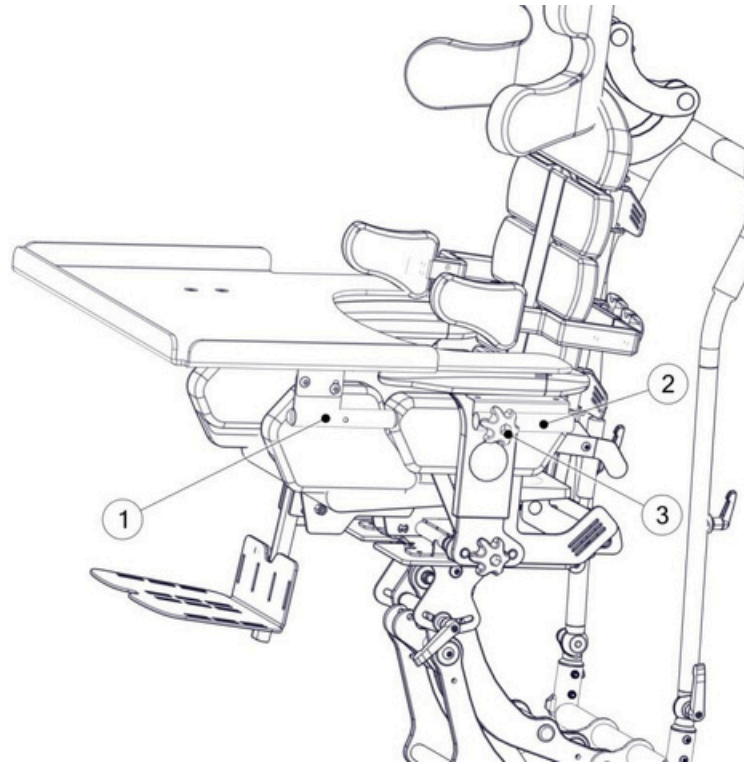


Fig. 22

To fit the table, loosen the locking knobs 3 and slide the table handles 1 into the sockets located under the armrests 2. After inserting the table to the proper depth, re-tighten the locking knobs 3.

### 7.6.3 Table Tilt Angle Adjustment

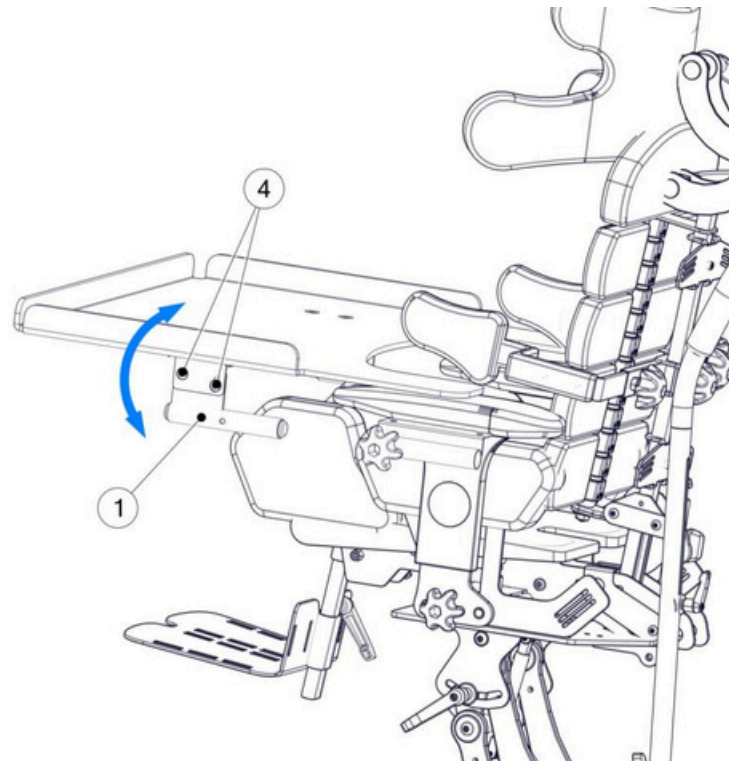


Fig. 23

Loosen both handle knobs 4 located over the table handles 1, below the table top. After setting the required tilt angle, re-tighten the handle knobs 4.

### 7.7 Separate Footplates

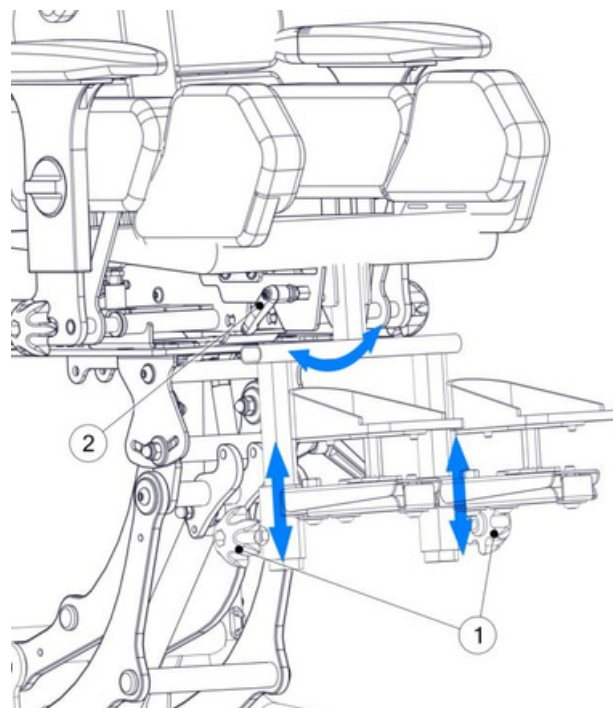
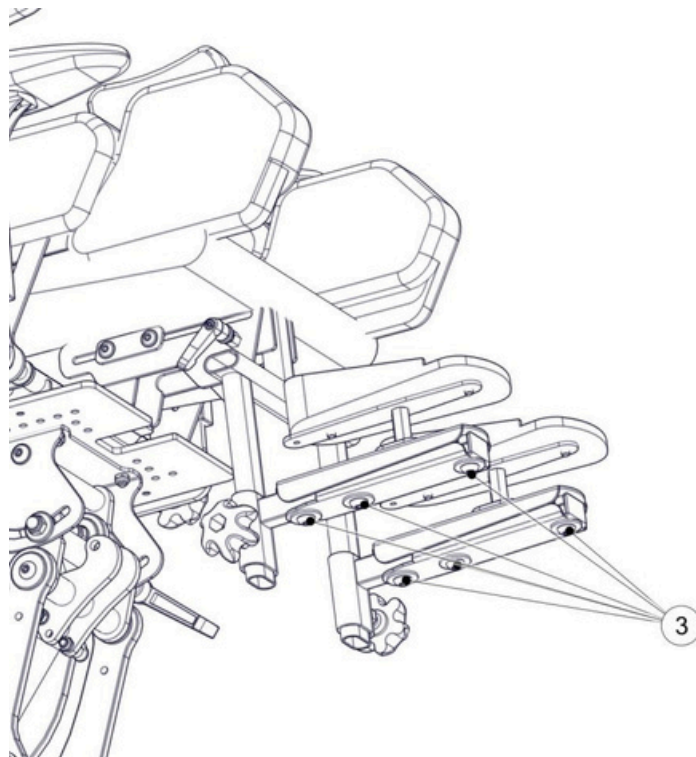


Fig. 24

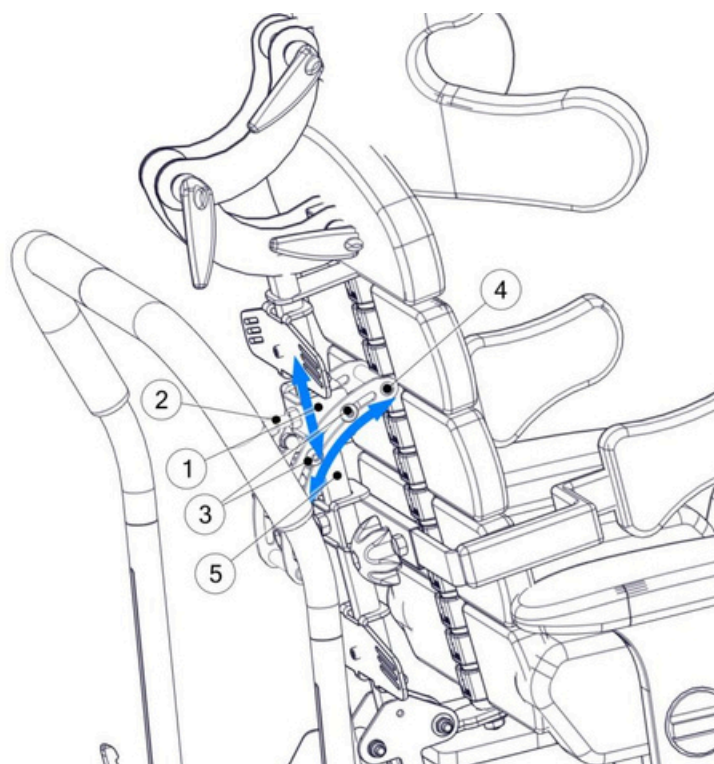
To adjust the proper height of the foot platform, loosen both knobs 1, slide the platforms to the desired height and tighten the knobs 1. They operate independently from each other, making it possible to adjust the platform height asymmetrically. To set the proper angle of the foot platform loosen the angle knob (2), set the desired angle and tighten the knob.



**Fig. 25**

To set the precise position of each platform loosen the screws 3, set the proper position and tighten the screws 3. This adjustment enables the independent setting of each platform's angle, tilt, and position.

**7.8 Spine interlock adjustment**



**Fig. 26**

The spine interlock is a mechanical support, that prevents spine movement in the event of being subject to a large force or impact.

To set up the spine lock:

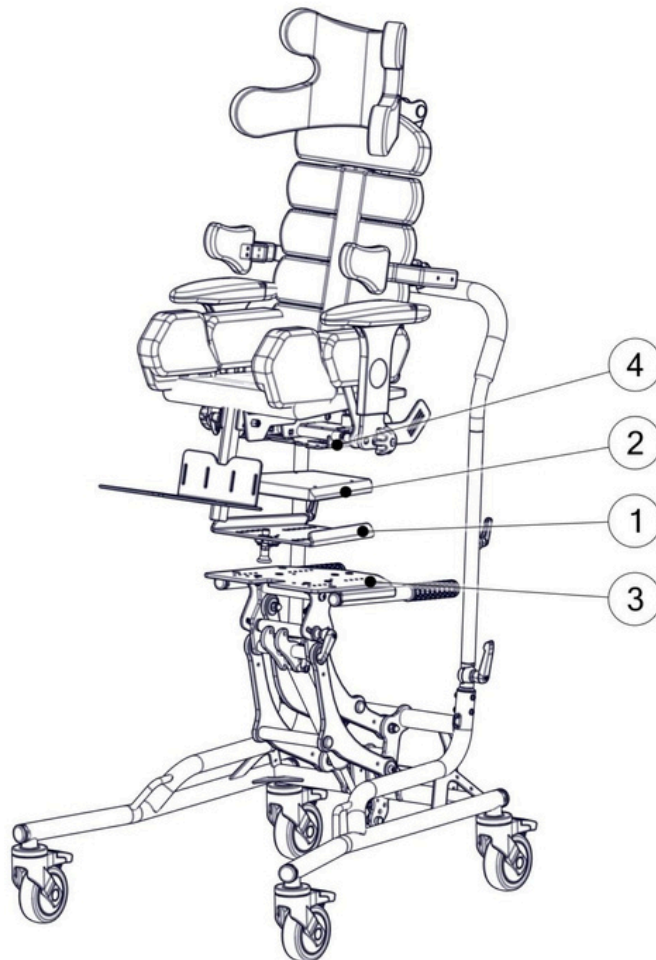
- Loosen the adjustment screw 2
- Set the lock 1 to the desired position along the backrest profile 5
- Loosen the two carriage screws 3 located on the left and right side
- Set the bumper lock 4 such that it lies on the spine
- In the event, whereby the bumper does not want to move, make sure that screws 3 are loose
- Lock the interlock by tightening screws 3

### 7.9 Seat interchangeable system – polyamide trapezoid



**NOTE!** AFTER MOUNTING THE ELEMENTS OF THE SEAT INTERCHANGEABLE SYSTEM ON THE SEAT PLATFORM FRAME, CHECK IF ALL BOLTS AND NUTS ARE TIGHTENED. ELEMENTS THAT ARE NOT TIGHTENED MAY CAUSE THE INTERCHANGEABLE SYSTEM TO DETACH, AND THIS MAY RESULT IN INJURING THE PATIENT.

BAFFIN neoSIT HL can be equipped with a fast seat interchangeable system. To mount the system, fit the bottom part of the system (1) onto the seat platform (3) using the joining elements (4). The system's top part (2) is fitted directly on the seat. Using the polyamide trapezoid will raise the seat height by approximately 1.5 cm.

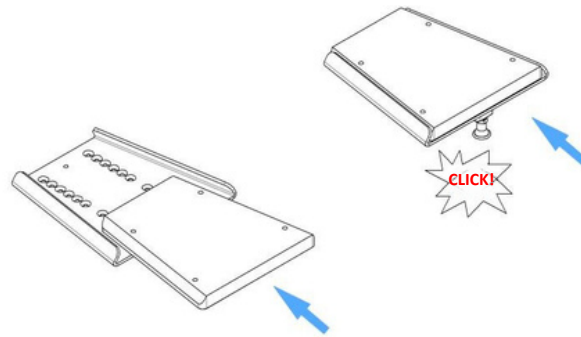


**Fig. 27**

Fitting the seat using the polyamide trapezoid shown in Fig. 28

- place the seat with the fitted trapezoid over the interchangeable system;
- slide the seat into the interchangeable system according to the blue arrow till it stops. You will hear a spontaneous lock of the seat on the base;
- check the system lock by pulling the seat in the direction opposite to the blue arrow.

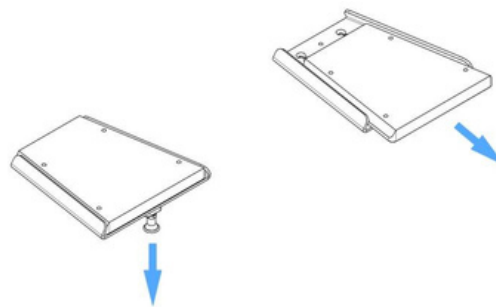




**Fig. 28**

Removing the seat using the polyamide trapezoid is shown in Fig. 29

- pull the release handle marked with the red arrow in the direction of the blue arrow,
- hold the handle and push the seat while sliding it out of the base of the interchangeable system (1),
- lift and remove the seat with the trapezoid element (2) from the base of the interchangeable system.

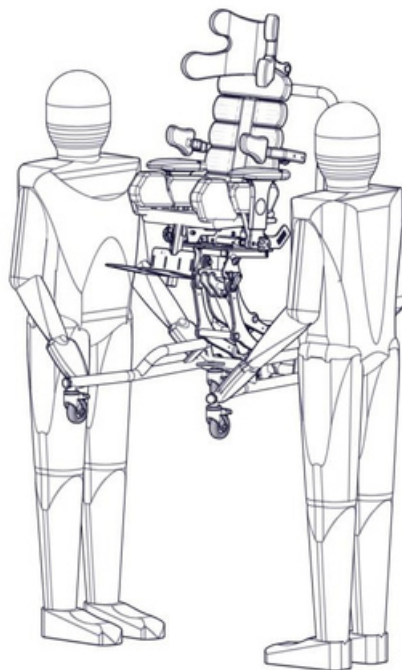


**Rys. 29**

## 8. Moving device



Baffin neoSIT HL can be carried by holding the legs of the frame with both hands. Example of the correct way of transporting the device shown in Fig. 30.



**Fig. 30**

## 9. General Care & Cleaning



Baffin neoSIT HL—an orthopaedic seat for children that stabilises the back and head—is a mechanical device with a supporting structure made of steel and aluminium covered with powder coating. Sponge-foam inserts are fixed to the metal structure, and the foam inserts are enclosed with covers made of textile fabrics.

The equipment must be kept clean and regularly maintained following these instructions.



**NOTE!** THE DEVICE IS NOT WATERPROOF. DO NOT ALLOW FOR DIRECT CONTACT WITH WATER. THE DEVICE IS FOR INDOOR USE AT ROOM TEMPERATURE. DO NOT EXPOSE IT TO DIRECT CONTACT WITH WEATHER CONDITIONS.

### Cleaning and maintenance recommendation

Paint coatings and plastic covers should be cleaned with a damp cloth. Mild household detergents can also be used.

The upholstery we offer is made of a unique breathable fabric. It is produced in accordance with the OEKO-TEX. STANDARD100 standards confirm the complete security of the users, including children. The fabrics used in upholstery covers are free of harmful substances such as: pesticides, chlorophenols, formaldehyde, causing allergy dyes, forbidden azo dyes and extractable heavy metals.

OEKO-TEX STANDARD100 mark is granted only for fabrics where all components at each manufacturing stage have been tested and obtained favourable results.

- Do not wash covers with sponges inside.
- Covers should be either hand washed or in a washing machine at the max temperature of 40C.
- For washing, you should use delicate detergents with appropriate attestation in proportions on the packing.
- For children with allergies, use mild soap or special detergents.
- To remove excess water – use a short spin cycle; do not wring.
- Drying – hang to dry at room temperature. DO NOT TUMBLE DRY.



**NOTE!** WHILE WASHING THE UPHOLSTERY COVERS, EXTRA ATTENTION SHOULD BE PAID TO THE VELCRO FASTENERS. TO PREVENT ANY DAMAGE, ENSURE THE VELCRO FASTENERS ARE REMOVED SO THAT THEY DO NOT COME INTO CONTACT WITH THE UPHOLSTERY.



**NOTE!** DO NOT WASH WITH THE FOAM INSERTS INSIDE.

Sponge-foam filling:

- vacuum mechanically or by using a soft-bristled brush.
- it is acceptable to wash with a damp cloth and a mild detergent; dry thoroughly at room temperature.

### Disinfection

If the device is used by more than one person (i.e., in a rehabilitation centre), disinfectants should be used. For manual disinfection, it is advisable to use INCIDIN PLUS in solution 0,25% - 0,5% or similar disinfectant.

Follow instructions given by the manufacturer.

Hint: before the disinfection process, clean both the upholstery and handles.

## 10. Service & Maintenance



Should you detect any faults or defects, it is crucial to cease using the device immediately and take prompt action by contacting your dealer or manufacturer. This proactive step is essential to prevent the defective unit from causing further damage. Remember, never attempt to disassemble or repair the product, and refrain from replacing original parts with ones not recommended by the manufacturer.

If the user decides not to continue using the product it is bound to its disposal in accordance with the applicable environmental regulations.

The economic lifetime of the product is five years.

The manufacturer provides post-warranty service. Contact details:

LIW Care Technology Sp. z o.o., ul. Golfowa 7, 94-406 Łódź, Poland.






reklamacje@liwcare.pl

Current contact details are available on: [www.liwcare.pl](http://www.liwcare.pl)

Warranty terms are specified in the warranty card, which is an integral part of this statement. The warranty card is available on the last page of this document.

## 11. Identification plate



	BAFFIN neoSIT HL	
<b>SN</b>	BAFHL - S0000	<b>CE</b>
rozmiar/size:	S	
	60 kg	
<b>MD</b>		 
 MM/YYYY	 LIW Care Technology Sp. z o.o., ul. Golfowa 7, 94-406 Łódź, Poland	

## WARRANTY CARD

This Limited Warranty is extended only to the original purchaser. Baffin Technology Systems Limited warrants Baffin Trio against defects in materials and workmanship from the date the product is delivered to the original purchaser by Baffin Technology Systems Limited.

**Your new Baffin neoSIT HL is guaranteed from the date of delivery as listed below:**

1. Two years for all material and manufacturing defects of mechanical parts.
  2. One year for all electronic components, including the actuators.
  3. Upholstered components, plastic, rubber, painted surfaces, and bearings.
  4. 180 Days for batteries and other parts not specifically identified above.
- If the product is rented or otherwise not sold to a consumer, the warranty period commences from the invoice date from Baffin Technology Systems Limited.
  - Any product proven to be to Baffin Technology Systems Limited's satisfaction to be defective and within the warranty period, shall be repaired or replaced by Baffin Technology Systems Limited free of charge.
  - Baffin Technology Systems Limited's sole obligation and customers' exclusive remedy Under this warranty, such repair and replacement shall be limited.
  - Freight charges ( if necessary ) to the factory are at the customer's expense. Return Baffin Technology Systems Limited will prepay freight charges.
  - Baffin Technology Systems Limited will not repair or replace free of charge any part or Parts were found to be defective due to abuse, misuse, or lack of maintenance.
  - The Customer has no claim on warranty, if there has been any design, mechanic or electronic modifications been made ( except those done by Baffin Technology Systems in partnership with Liw Care Technology ) on the Baffin Trio without the approval from Baffin Technology Systems.
    - Baffin Technology Systems Limited and Liw Care Technology SHALL NOT BE LIABLE

FOR ANY CONSEQUENTIAL OR INCIDENTAL DAMAGES WHATSOEVER.

**Baffin Technology Systems Limited, in partnership with LIW Care Technology, maintains a policy of continual product improvement and reserves the right to change features, specifications and prices without prior notification. Check with Baffin Technology Systems Limited for the latest information. Your statutory rights are not affected.**

***Baffin Technology Systems Limited***



## EU DECLARATION OF CONFORMITY

Manufacturer:

**LIW Care Technology Sp. z o.o.**  
**ul. Golfowa 7**  
**94-406 Łódź, Poland**

Hereby declares that

**Baffin neoSIT HL**  
**size S, M, L**

bearing CE mark is a Class I medical device, Rule 1 in accordance with Annex VIII of Regulation (EU) 2017/745 of the European Parliament and of the Council of 5 April 2017 on medical devices and fulfills the requirements specified in this Regulation.

The conformity assessment was done according to Regulation (EU) 2017/745 of the European Parliament and of the Council of 5 April 2017 on medical devices.

Medical device is in conformity with the following harmonized standards:

- PN-EN 12182:2012
- PN-EN ISO 14971:2012
- PN-EN 1041+A1:2013-12
- PN-EN ISO 15223-1:2017-02
- PN-EN ISO 13485:2016

Basic UDI-DI: 5904384015NEOSITHL87

EU declaration of conformity is issued under the sole responsibility of the manufacturer.

On behalf of the manufacturer:  
Tomasz Chmielecki, CEO

Signature:

**LIW CARE TECHNOLOGY Sp. z o.o.**  
94-406 Łódź, ul. Golfowa 7  
NIP: 729-266-53-87, REG. 100715121  
KRS:0000333719

Łódź, 26th of May 2021

Manufacturer's seal