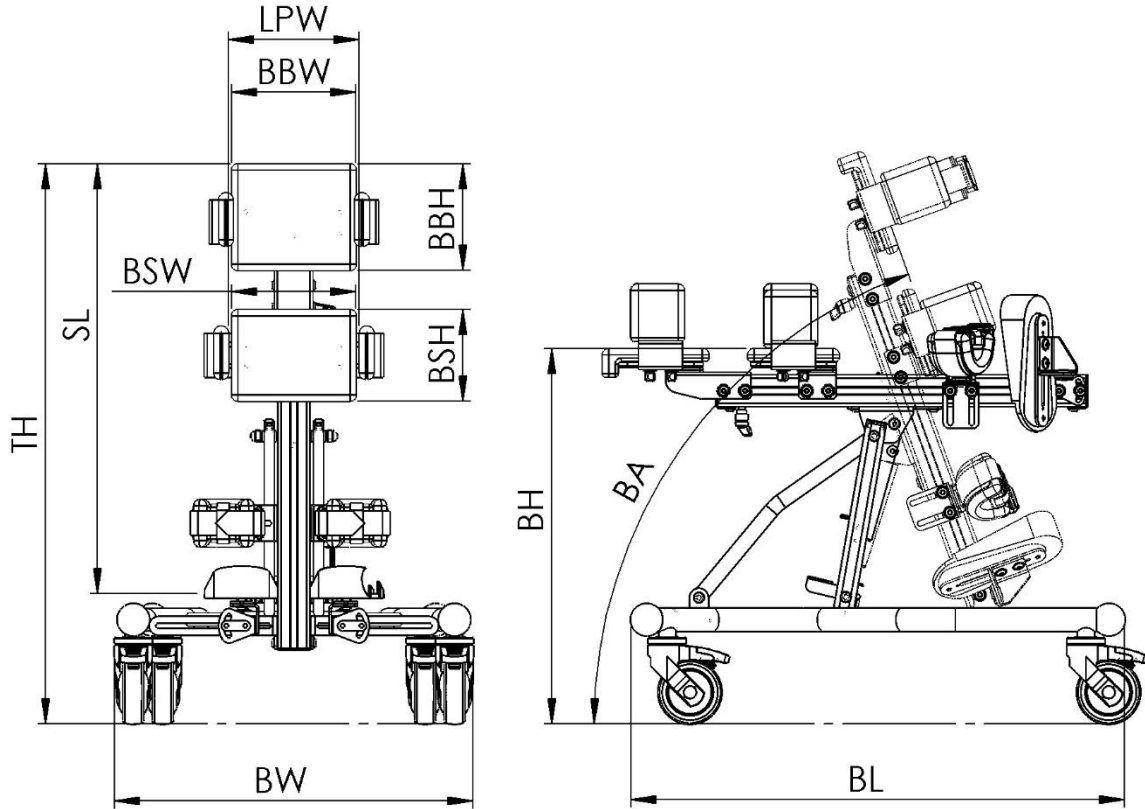




LORI Stander

Technical Data



| No. | Dimensions | Symbol | Size [cm] | |
|-----|---------------------------------|--------|-----------|------------|
| | | | 1 | 2 |
| | | | Baby | Junior |
| 1 | Base width | BW | 63 | 63 |
| 2 | Base length | BL | 78 | 78 |
| 3 | Total height (without headrest) | TH | 94 | 120 |
| 4 | Platform height | BH | 60 | 75 |
| 5 | Platform length | SL | 44 ÷ 78 | 55 ÷ 108 |
| 6 | Pivot angle range | BA | 90° ÷ -8° | 90° ÷ -15° |
| 7 | Hip/lateral support spacing | LPW | 12 ÷ 20 | 17 ÷ 25 |
| 8 | Hip support height | BSH | 15 | 20 |
| 9 | Hip support width | BSW | 20 | 25 |
| 10 | Chest support height | BBH | 18 | 22 |
| 11 | Chest support width | BBW | 20 | 25 |
| 12 | Maximum user weight | | 35 kg | 50 kg |