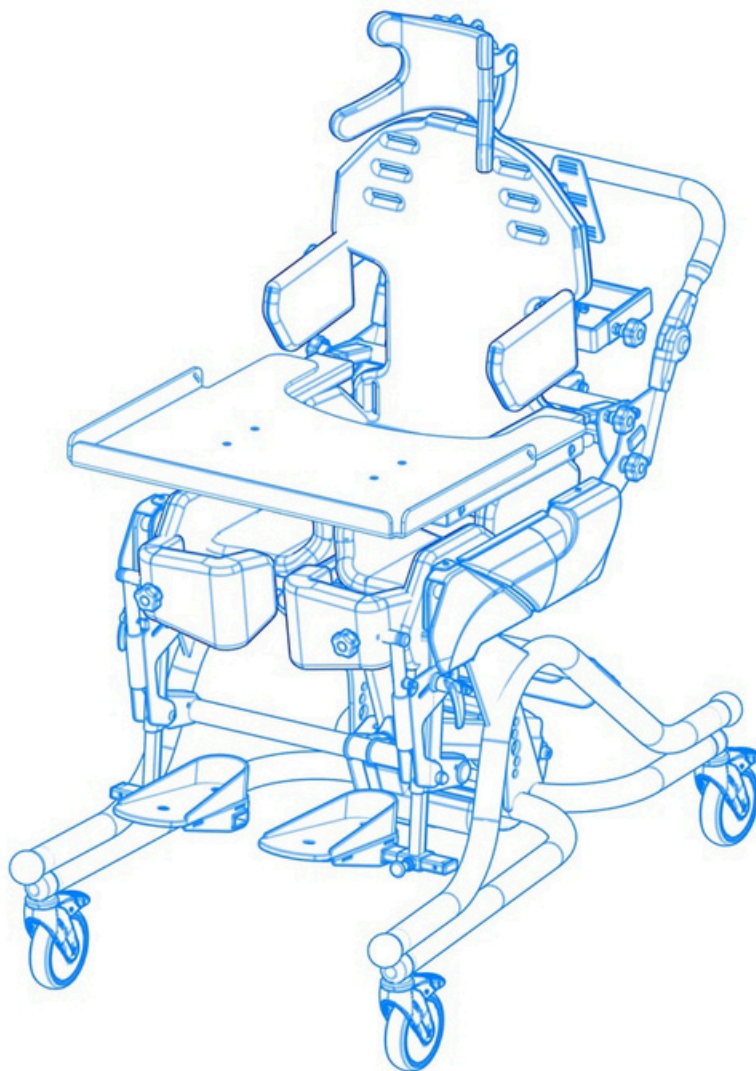




MANUAL FOR

Baffin TRIO 4W



Edition 5 - 26.05.2021





SCAN FOR VIDEO MANUAL

Distributor's contact details:



Baffin Technology Systems Limited

**Michaelmas House
Royal Oak Way North
Daventry NN11 8PQ**

Company number 10131813

Vat Registration No 242 5610 31

Phone 01788 711 904 | Mail: office@baffin.co.uk



NOTE! THE MANUFACTURER IS SOLELY RESPONSIBLE FOR THE EQUIPMENT PURCHASED FROM A DIRECT REPRESENTATIVE OF LIW CARE TECHNOLOGY, OR IN SPECIALISED MEDICAL SHOP REPRESENTING LIW CARE TECHNOLOGY IN POLAND.



NOTE! USE ONLY INDOORS WITH NO THRESHOLDS.

THE RANGE OF THE TEMPERATURES FOR WORKING DEVICE: +5°C » +45°C



NOTE! WHEN USING THE PRODUCT, IT SERVICE, MECHANISMS SUBMITTING AND REGULATING MAY OCCUR DANGER OF ENTRAPMENT AND COMPRESSION OF USER'S/ACCOMPANYING PERSON BODY IN HOLES/SLOTS BETWEEN THE ELEMENTS. IT IS ADVISED TO PERFORM THESE STEPS VERY CAREFULLY. AFTER ADJUSTMENT STABILISE POSITION BY ACCURATELY TIGHTENING NUTS AND BOLTS.



NOTE! READ THE MANUAL NECESSARILY BEFORE START-UP.

1 Table of contents

1	Table of contents	3
2	Introduction	4
3	Warnings & Safety Information	4
4	Intended Use	4
5	Symbol meaning.....	5
6	Manufacturer	5
7	Compliance with the safety requirements for medical devices	6
8	Technical Specification	6
9	Technical Information	7
10	Control panel	8
11	Emergency brakes	9
12	Setting and adjustment	10
12.1.1	Width and Depth Adjustment of the Multifunctional device	10
12.1.2	Width Adjustment	10
12.1.3	Removing pelvic supports	12
12.1.4	Removing the plastic covers	13
12.1.5	Depth adjustment	15
12.1.6	Seat position adjustment	17
12.2	Lateral supports adjustment	18
12.2.1	Lateral supports width adjustment	18
12.2.2	Dismantling lateral supports	19
12.3	Armrests adjustment	20
12.3.1	Removing the armrests	21
12.4	Footrest adjustment	21
12.4.1	Adjusting the Height of the Footrest	21
12.4.2	Adjusting the angle and the position of the foot platform	22
12.4.3	3D Feet system angle and platform adjustment	23
12.4.4	Fastening the feet onto the foot platform	24
12.5	Adjusting and regulating the knee supports	24
12.5.1	Unfastening and closing the knee supports	24
12.5.2	Regulating and adjusting the knee supports	25
12.6	Adjusting the back support	27
12.7	Fitting and adjustment of the vest and hip belts	28
13	Changing position	30
13.1	Changing position/verticalization	30
13.1.1	Changing position from sitting into standing	31
13.1.2	Changing position from sitting into laying	31
14	Additional equipment	32
14.1	Headrest	32
14.1.1	Adjusting the headrest	32
14.2	Table	33
14.2.1	Adjusting the width of table handles	33
14.2.2	Assembling the table	34
14.3	Upholstery.....	35
14.4	Battery	35
14.5	Built-in-spine system lock	35
15	Handling the device	36
16	Cleaning & maintenance	37
16.1	Disinfection	37
17	Disposal of the product	37
18	Identification plate	38
19	Service & maintenance	39
	WARRANTY CARD	40

2 Introduction

The BAFFIN TRIO Multifunctional device developed by LIW Care Technology Sp. z o.o. was designed and patented to provide a new approach to rehabilitation. Every effort has been made to ensure that the BAFFIN TRIO 4W Multifunctional device is extremely easy to use and offers a wide range of anatomical adjustment and posture correction. Please make sure this manual is read thoroughly before you use the device. It is essential to follow all the guidelines and recommendations to ensure complete safety and comfort for the user and caregivers and avoid potential damage to the equipment. Where there are multiple or new caregivers, all concerned should receive training on the equipment and have a copy of this document or be aware of its location for reference purposes. Complimentary training is available from the Distributors. To benefit from all the features of the Baffin TRIO 4W, it is essential to ensure that the product is set correctly and adjusted to the User's particular needs before use.

3 Warnings & Safety Information

The biggest concern of LIW Care Technology Sp. z o.o. is to ensure the safety of our patients using the device. In order to guarantee full safety of the user of our stander, you have to follow these recommendations:

1. Before any attempt to use the device, thoroughly familiarise yourself with this manual. If in doubt, contact the seller or manufacturer.
2. Ensure that all the information, recommendations and warnings in these chapters are entirely comprehensible. This manual includes paragraphs marked WARNING, which is meant to call special attention to its contents. It means the following:



NOTE! THIS SYMBOL IS USED TO CALL THE READER'S ATTENTION TO THE TEXT BELOW. FAILURE TO FOLLOW THE CONTENTS OF THIS PARAGRAPH MAY BE HAZARDOUS TO THE USER'S HEALTH AND LIFE, AS WELL AS TO THE SAFETY OF THE DEVICE.



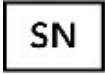



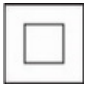
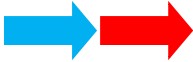




4 Intended Use

BAFFIN TRIO 4W Multifunctional device can be used in patients with posture and muscle dysfunction. It is perfect for children with cerebral palsy, muscular dystrophy, palsies of various origins, tetra and paraplegias, and abnormal body posture. It can be used therapeutically and prophylactically to prevent the inevitable consequences of childhood illnesses (postural deformities and related malfunctions of the body). The device allows for optimal placement of a child's spine and pelvis. Proper posture improves the quality of life.

The three basic systems: respiratory, circulatory and digestive function better. Using a Multifunctional device following exercise will increase the chances of full postural recovery. Owing to a design that, when properly adjusted, attempts to restore the physiological curvature of the spine, it perfectly and smoothly corrects scoliosis and passively restores proper alignment of the spine's kyphosis and lordosis. Pelvis adjustment (the pelvis is the base of the body in a sitting position) corrects the spine position, which forces the patient's whole body to be more correct. Smooth adjustment of buttock load prevents and cures sores and decreases skin abrasion. The device allows for correctly maintaining the child's head, facilitating feeding, education and playing. Each device is individually fitted for a given child. Our innovative device "grows" with a child. It can be adapted to the current position and height of the child.



5 Symbol meaning

	Manufacturer's name and
	Date of manufacture
	Serial Number
	User's permissible weight
	Avoid contact with water
	Note! Follow product instructions
	Electrical appliance protection class II 100-240V - Current voltage 50/60 Hz – Current frequency
	The pointer showing the discussed element and direction of the movement
	Mark of conformity according to the Regulation 2017/745 of the European Parliament and of the Council (EU) dated April 5th, 2017, on medical devices, Annex V.
	Ban on disposal of the device to household waste-bin
	The temperature of the working device
	Medical device

6 Manufacturer

The manufacturer of the multifunctional device Baffin Trio 4W is:

**LIW Care Technology Sp. z o.o.,
ul. Golfowa 7
94-406 Łódź, Poland**

7 Compliance with the safety requirements for medical devices

Hereby we confirm that the multifunctional device Baffin TRIO 4W meets requirements of the Regulation of the European Parliament and of the Council (EU) 2017/745 dated April 5th, 2017 on medical devices.

The multifunctional device Baffin TRIO 4W in accordance with Annex VIII of the Regulation of the European Parliament and of the Council (EU) 2017/745 dated April 5th, 2017, on medical devices, is a non-invasive, active class I medical device according to the rule 13thThe.

Declaration of Conformity for this product can be found in manufacturer's Sales Depart

8 Technical Specification

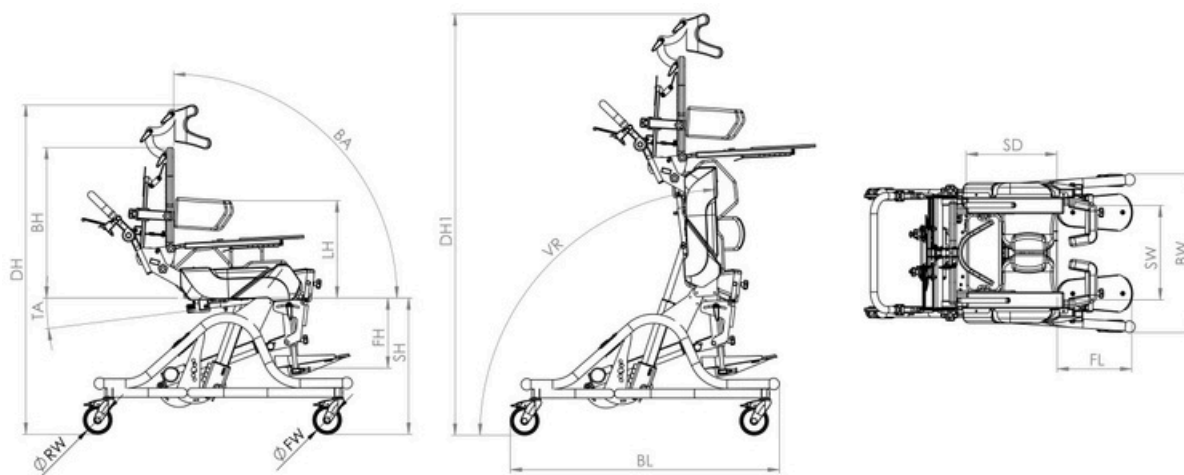


Fig. 1

L.p.	Dimension	Dimension symbol	Size [cm]	
			1	2
1	Seat height	SH	61	61
2	Back height	BH	61	*61 *77
3	Backrest Angle	BA	80° ÷ 115°	80° ÷ 115°
4	Verticalization Range	VR	0° ÷ 85°	0° ÷ 85°
5	Base length	BL	116	122
6	Base width	BW	69	77
7	Foot platform height	FH	32÷42	35÷49
8	Foot platform length	FL	28	32
9	Rear wheel diameter	RW	10	10
10	Front wheel diameter	FW	10	10
11	Seat depth	SD	36÷50	*36-50 *50÷64
12	Seat width	SW	27÷40	34÷45
13	Footplate angle	FA	+/-14°	+/-14°
14	Tilt angle	TA	7°	7°
15	Lateral suport height	LH	26÷44	31÷62
16	¹⁾ Height of device in restful position	DH	140	150
17	²⁾ Height of device in vertical position	DH1	190	211
18	Weight of the device		57 kg	67 kg
19	Maximum user's weight		90 kg	90 kg

¹⁾ Height of the device is being measured together with the headrest. The device's height excluding headrest is 20 cm lesser.

²⁾ Height of the device in standing position is dependent of the adjusting of the seat's depth.

* to choose from when ordering

9 Technical Information

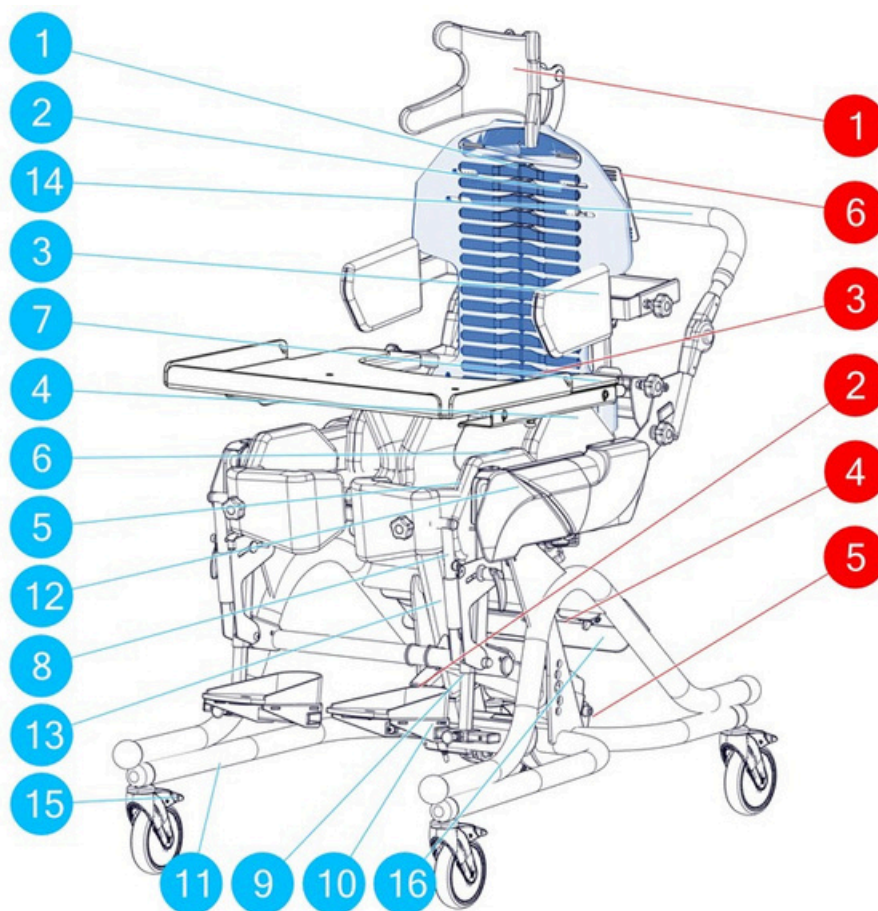


Fig. 2

Standard equipment:

1. Central Core
2. Back supports
3. Side supports
4. Hip supports
5. Legs abduction belts
6. Knee Support
7. Footrest
8. Feet platform
 - standard version
 - 3D feet
9. Verticalizing base
10. Seat
11. Actuators
12. Push Handle
13. Brakes
14. Control panel

Additional equipment:

1. Head rest
2. Heel Supports
3. Table
4. Battery
5. Respirator Shelf
6. Spine Interlock

10 Control panel

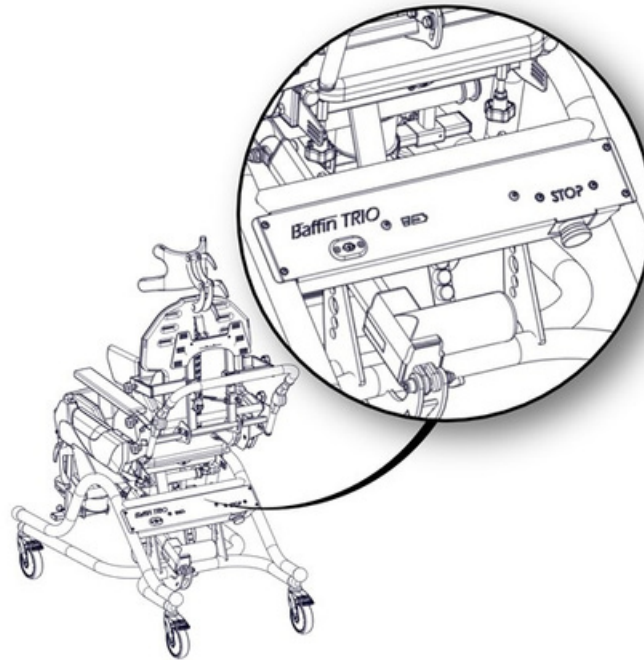


Fig. 3

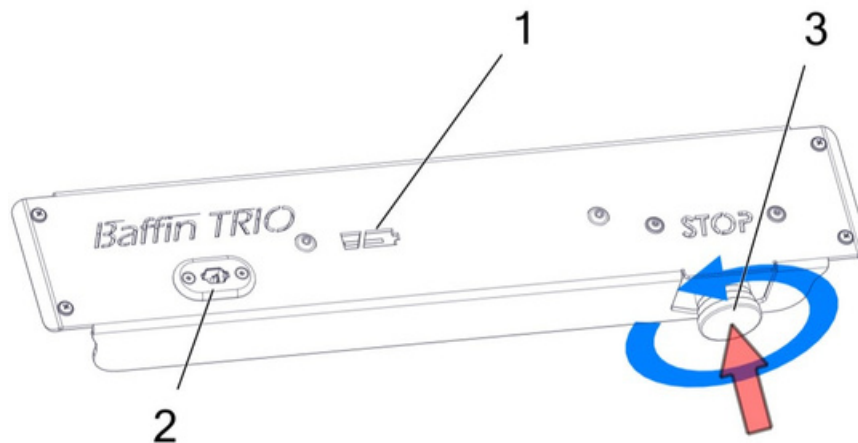


Fig. 4

At the back of the multifunctional device Baffin TRIO 4W there is a control panel (Fig. 3), which enables to:

- Observation of the battery charging level by controlling the change of the control lamp colour – Fig.4, the number 1 marker.
- Connection of the charger to the battery – Fig.4, power outlet number 2.
- Emergency stop of the device with the emergency switch, which cuts off the power source from the device – Fig.4 the switch marked by number 3.



NOTE! THE REMOTE CONTROL'S OPERATION COULD BE ADDITIONALLY BLOCKED BY PUSHING THE EMERGENCY SWITCH BUTTON JUST IN FIG.4, MARKED WITH A RED POINTER. IT IS ADVISED FOR ONE TO BE PRESSED DURING THE ADJUSTING THE PATIENT AND REGULATING THE DEVICE TO PREVENT UNCONTROLLED MOVEMENT OF THE DEVICE. UNBLOCKING THE EMERGENCY SWITCH IS DONE BY TWISTING THE BUTTON TO THE DIRECTION COUNTERCLOCKWISE.

11 Emergency brakes

The multifunctional device Baffin TRIO 4W is equipped with 4 swivel wheels. Those wheels are equipped with parking brakes, enabling complete stop of the wheel movement. To block the wheels, the lever brake should be pushed (1), until the 'CLIC' sound will appear. To unlock the wheel, the lever (1) should be pulled back up.

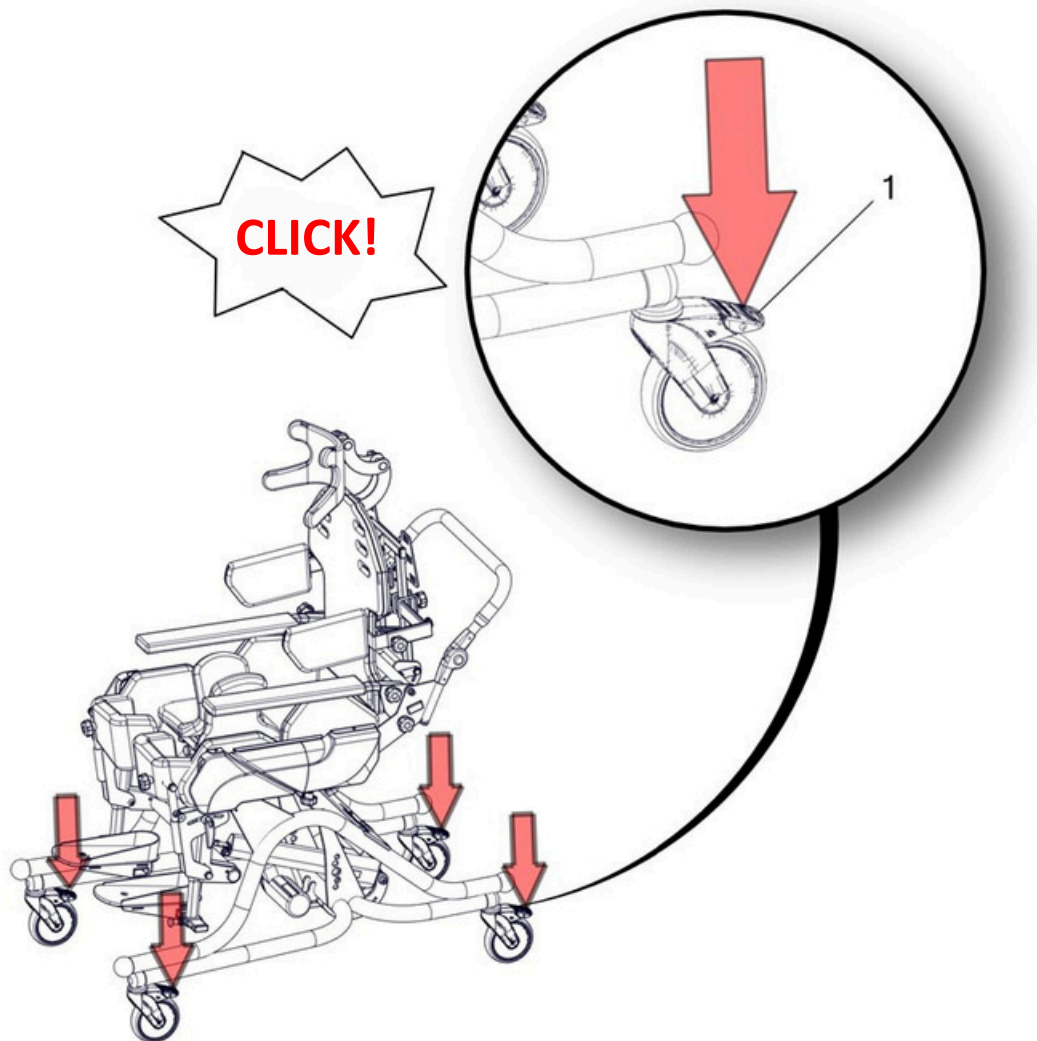


Fig. 5

12 Setting and adjustment



NOTE! ONLY AUTHORISED PEOPLE CAN SET AND ADJUST THIS PRODUCT. IT IS STRONGLY RECOMMENDED THAT SETTING AND ADJUSTMENT IS CARRIED OUT BY A QUALIFIED CLINICIAN OR PERSONNEL AUTHORISED BY A QUALIFIED CLINICIAN.

12.1.1 Width and Depth Adjustment of the Multifunctional device

12.1.2 Width Adjustment

The width of the seat can be regulated with the use of knob marked with blue arrow (Fig. 6). Loosening the knob enables the width adjustment of the side support for pelvis (Fig. 7).

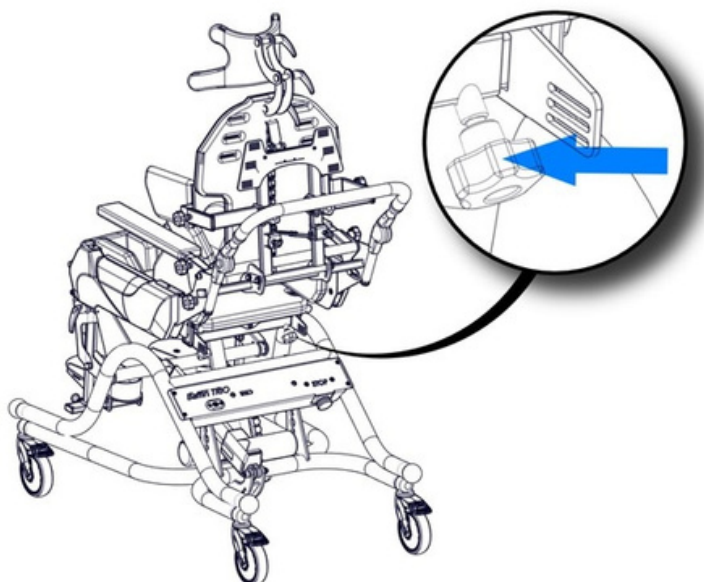


Fig. 6

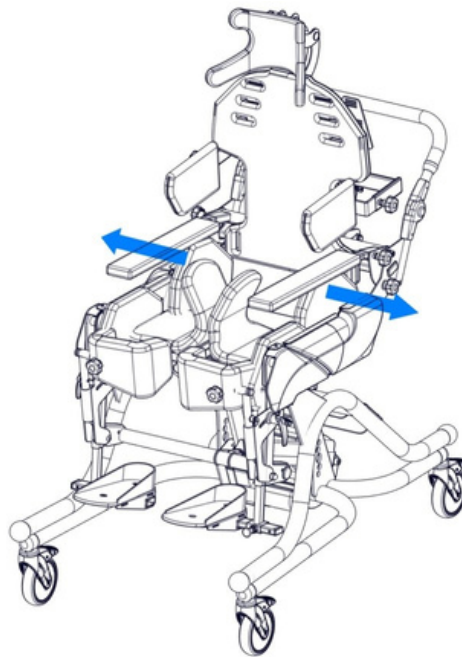


Fig. 7

The knobs are located on the right and left sides of the device. It enables symmetrical and asymmetrical adjustment of the user's body. To adjust the spacing between the thigh supports, use the two knobs which are situated under the thigh supports (Fig. 9).

In order to adjust the supports, unfasten the upholstery from the thigh supports and fold it to uncover the knobs on the underside of metal supports. (Fig. 8). Next, twist off the knobs in order to set the required position of the thigh supports freely. After setting the correct position, twist the knobs to fix the chosen position. The thigh supports can be positioned at an angle towards the longitudinal axis of the device, which increases the possibility of pulling the thigh away. The position of the thigh supports influences the correct position of the knees in relation to the pelvis.

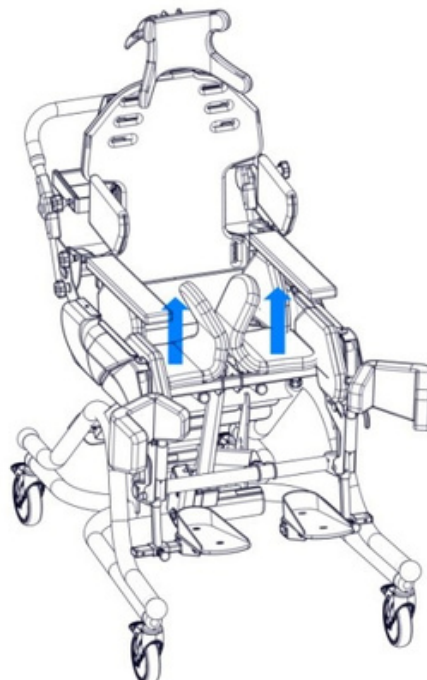


Fig. 8

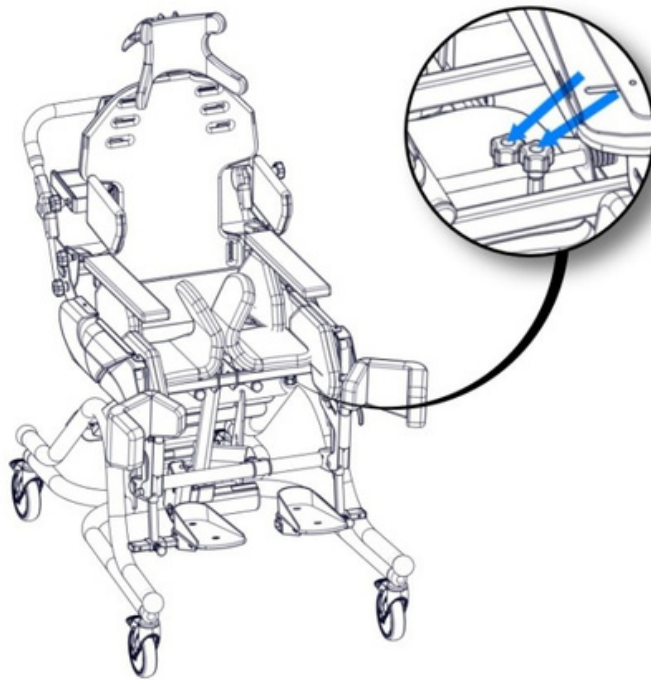
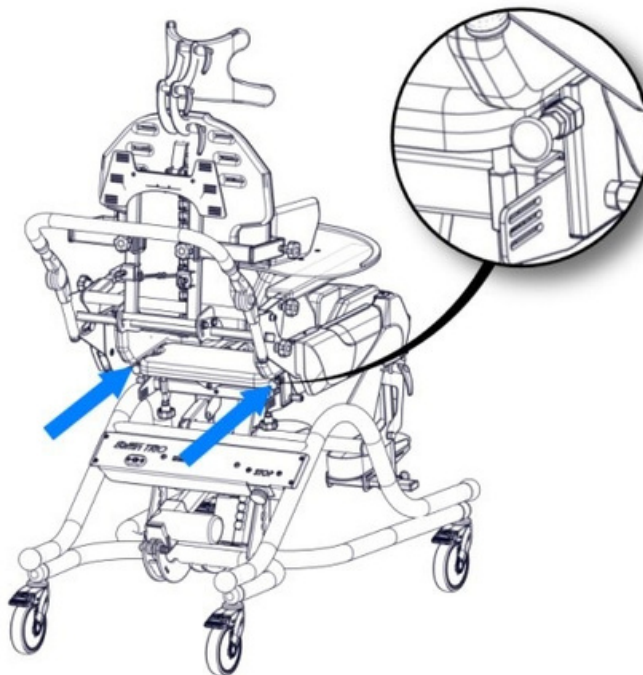


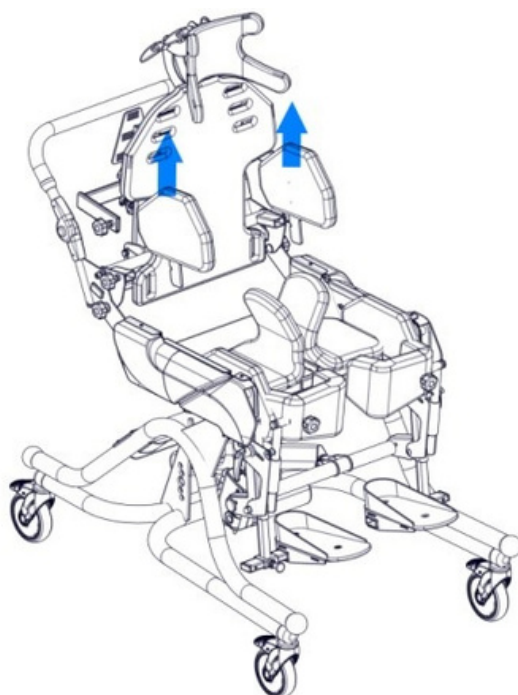
Fig. 9

The knobs are situated on the right and left sides of the device. They operate independently. They allow for symmetrical and asymmetrical positioning of the user's body.

12.1.3 Removing pelvic supports



Rys. 10



Rys. 11

The side pelvic support system can be fitted or removed quickly. To remove, pull away the setting pivot and pull out the pelvic supports from the grip (Fig. 10). Similarly, to fit back the pelvic supports, pull away the setting pivot and push the supports into the grip to the required depth and the automatic fixing system will secure the support from pulling out by accident.

12.1.4 Removing the plastic covers

Before adjusting the depth of the seat, remove the plastic cover on both sides of the machine. The covers are fixed with the use of 4 screws (2 on each side), placed on the top and bottom covers (Fig. 12, 13).

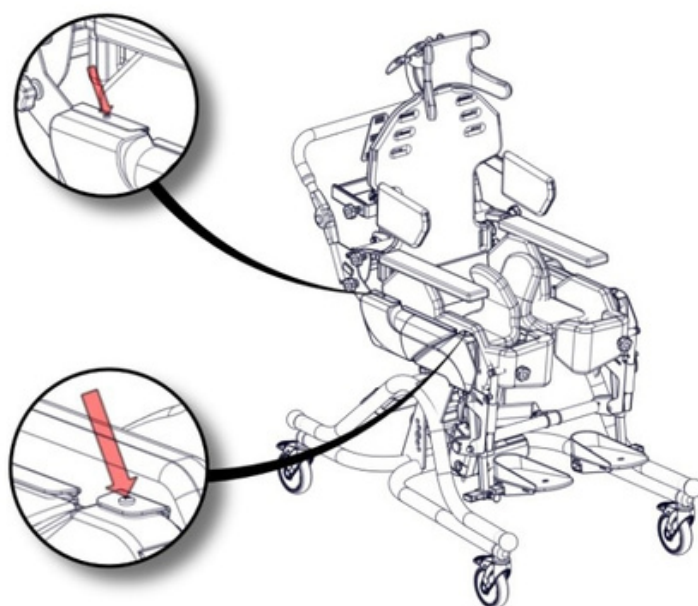


Fig. 12

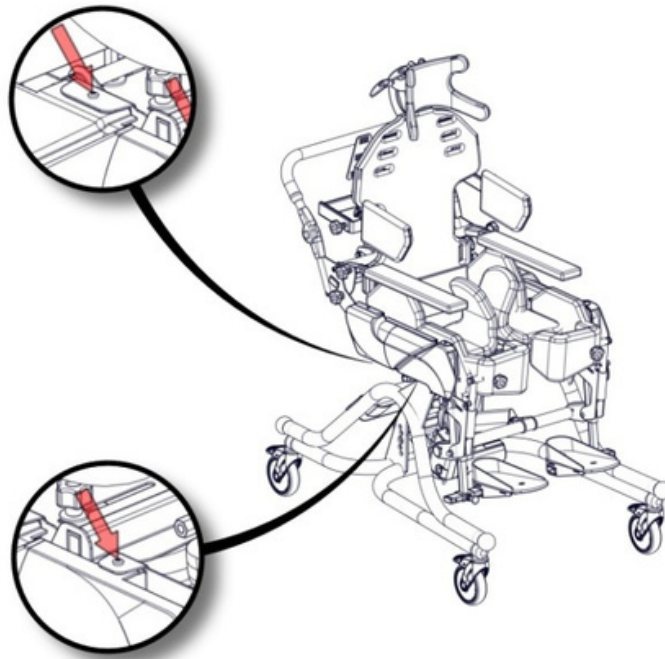


Fig. 13

After undoing the screws, pull out the covers from the fixing slits (Fig. 14). In order to prevent damage to the covers, first take off the back cover (outer), then the front cover (inner) (Fig. 15).

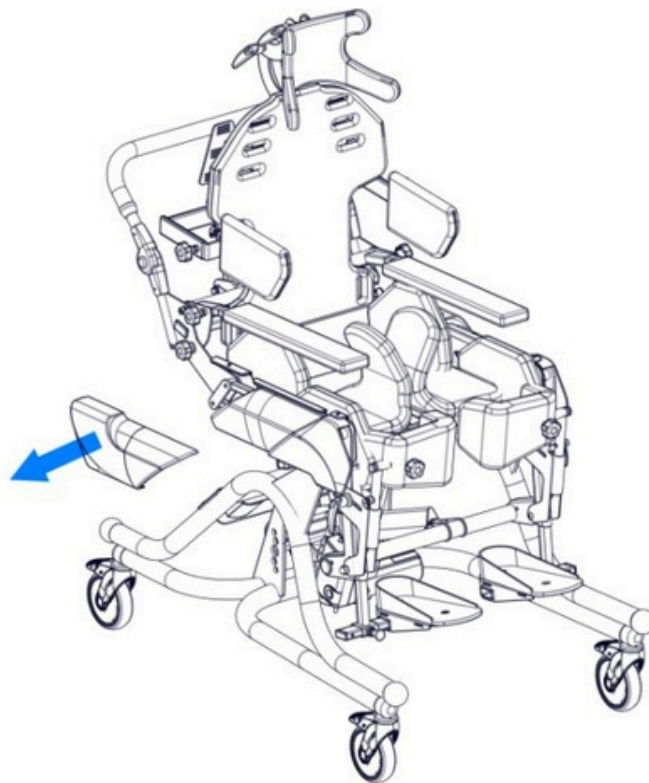


Fig. 14

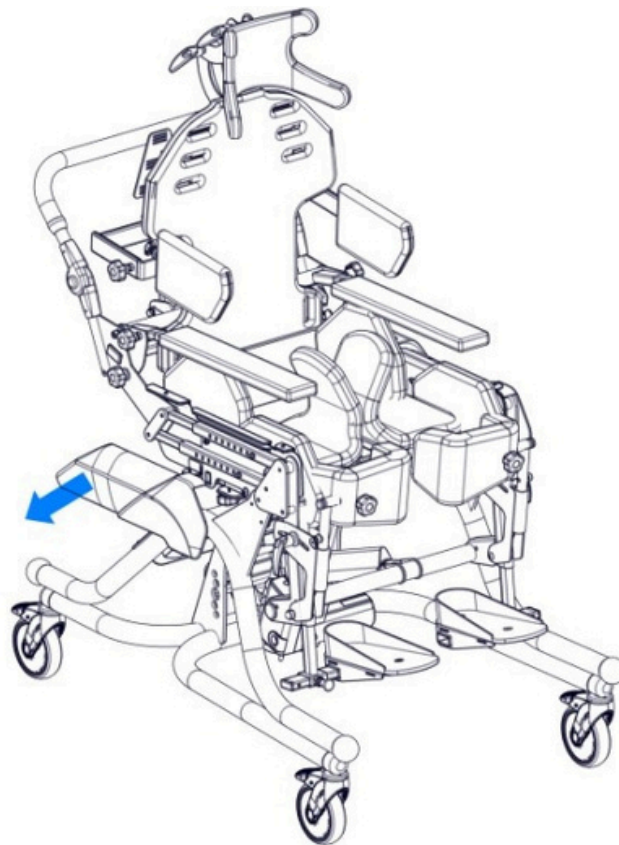


Fig. 15

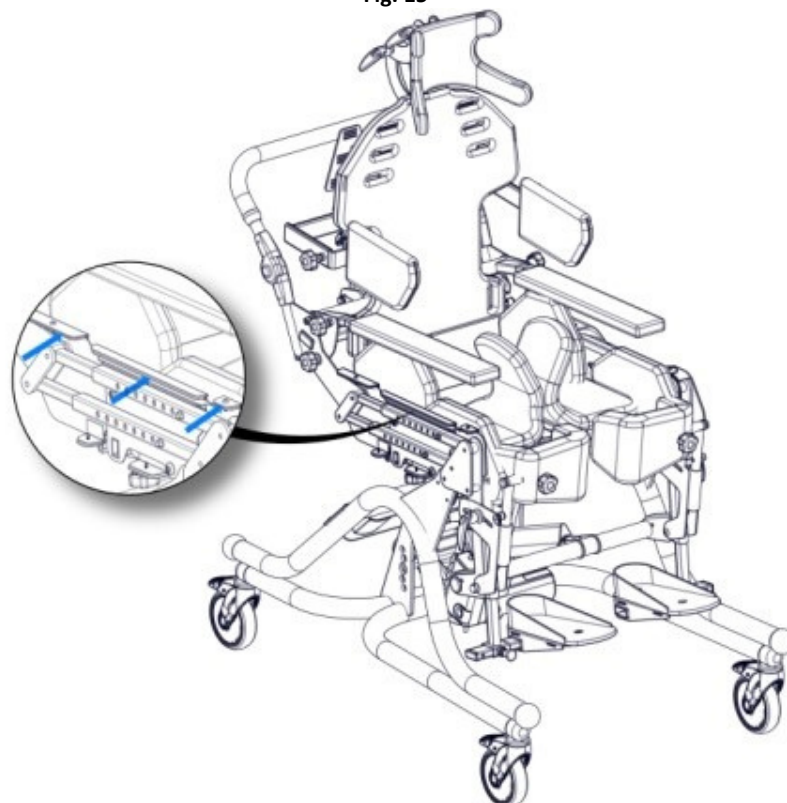


Fig. 16

The covers should be fitted in a similar way, in the opposite order. Firstly the front cover should be mounted, then the back slit between the sheeting should be mounted too (Fig 16).

12.1.5 Depth adjustment

To adjust the depth of the seat, use the blocking screws marked with the blue arrows (Fig. 17). It is possible to change the depth of the device after the screws have been completely undone on both sides of the device. Push in or pull out the back

part of the seat into the right depth. The depth of the seat must be set so that the axis of the device (marked with X and Y in the figure) is congruent with the anatomical axis of the hip joint and the knee joint. Make sure that (after setting the required depth) the screws are properly screwed in symmetrically in corresponding holes on both sides of the device. Failure to do this may cause damage.



NOTE! WHILE SCREWING THE SEATING DEPTH ADJUSTMENT BOLTS, HOLD THE BACK SUPPORT. SETTING TOO LITTLE DEPTH OF THE SEAT CAN CAUSE PRESSURE ON THE KNEES IN THE STANDING POSITION. SETTING TOO MUCH DEPTH WILL CAUSE THE PATIENT TO SLIDE DOWN AND THE UNDERARMS TO PUSH AGAINST THE ARMPITS.

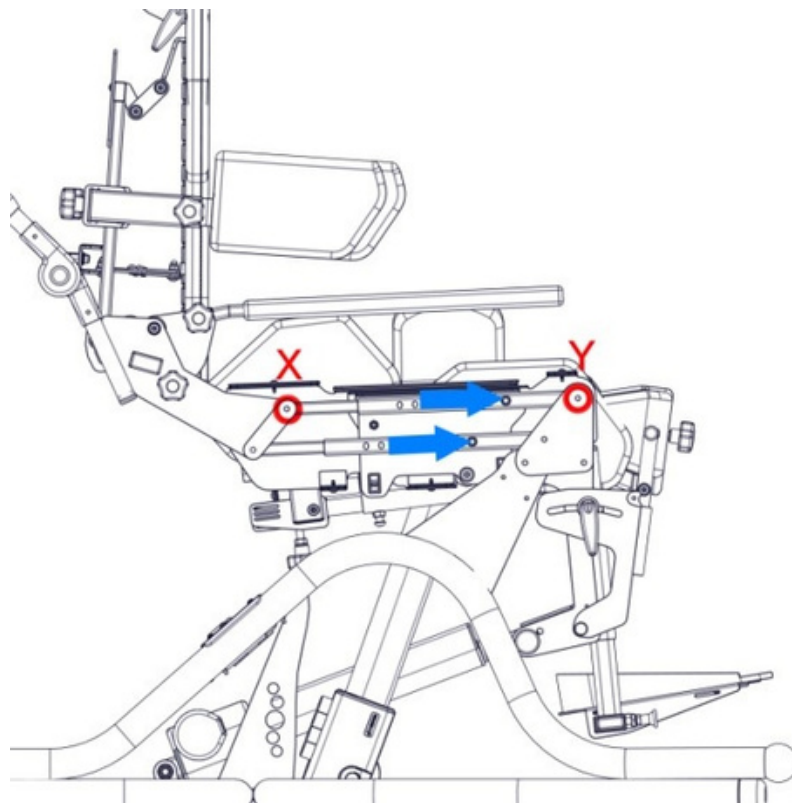


Fig. 17



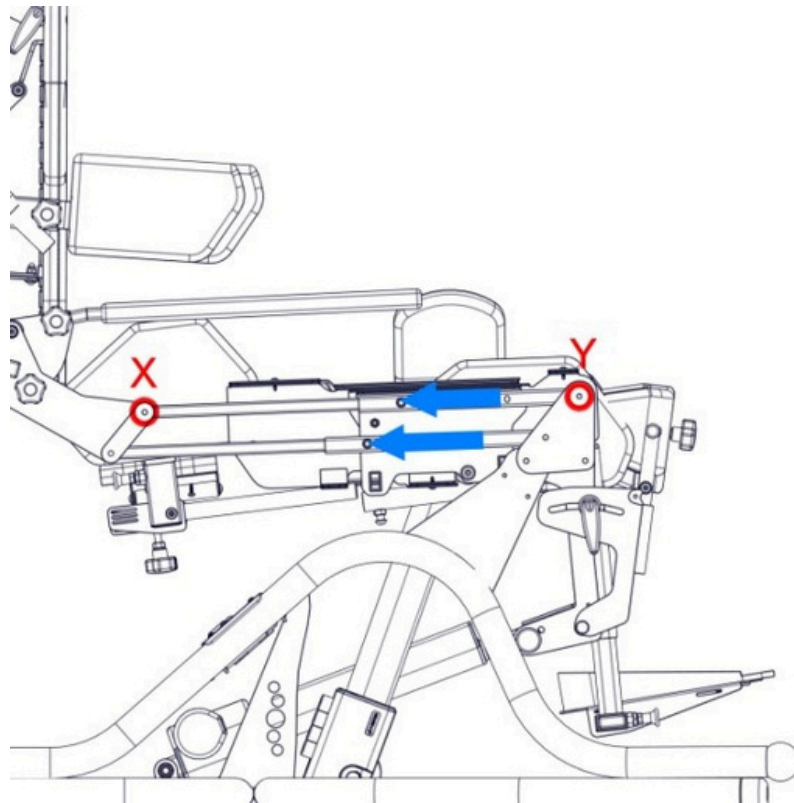


Fig. 18

12.1.6 Seat position adjustment

In order to adjust the position of the seat, use the screw marked with the blue arrow (Fig. 20). After undoing the screw, the seat must be pulled out or pushed into the required depth. After making the adjustment, stand the device and make sure that the seat does not collide with the lower part of the central cord (the spine of the back support) Fig. 20. The slit between the central core and the seat should be minimum 1,5cm.

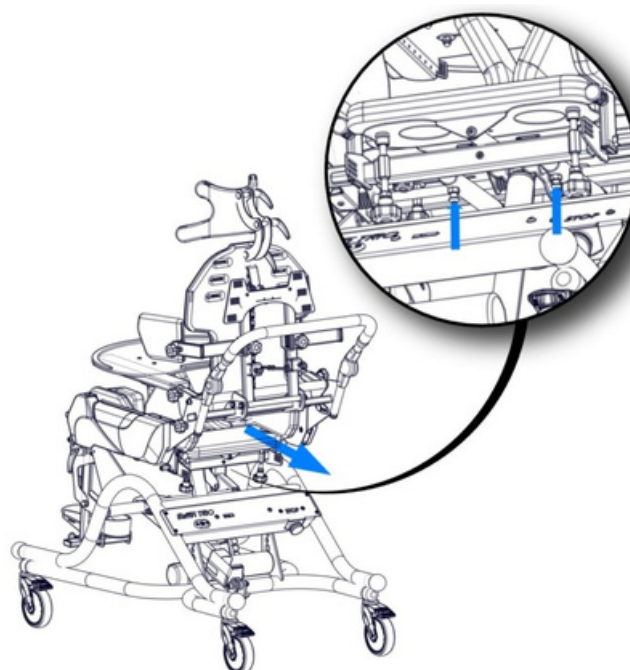


Fig. 19

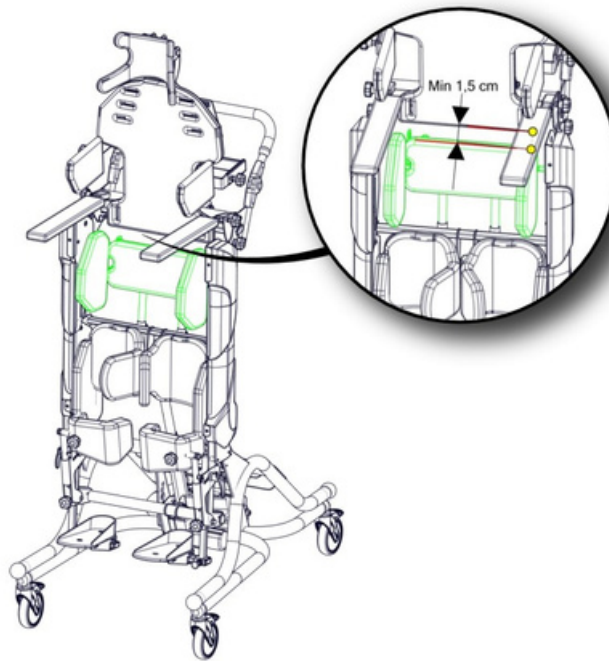


Fig. 20



NOTE! ADJUSTMENT OF THE POSITION OF THE SEAT MUST BE PERFORMED EACH TIME AFTER THE DEPTH IS ADJUSTED (SEE 11.1.4). SETTING THE SEAT IN AN INAPPROPRIATE POSITION CAN CAUSE DANGER FOR THE PATIENT OR CAN DAMAGE THE SEAT.

12.2 Lateral supports adjustment

12.2.1 Lateral supports width adjustment

To adjust the width and height of the lateral supports, unscrew the knob marked with a red arrow in Figure 21. After adjusting the width and height of the lateral supports, tighten the knob.

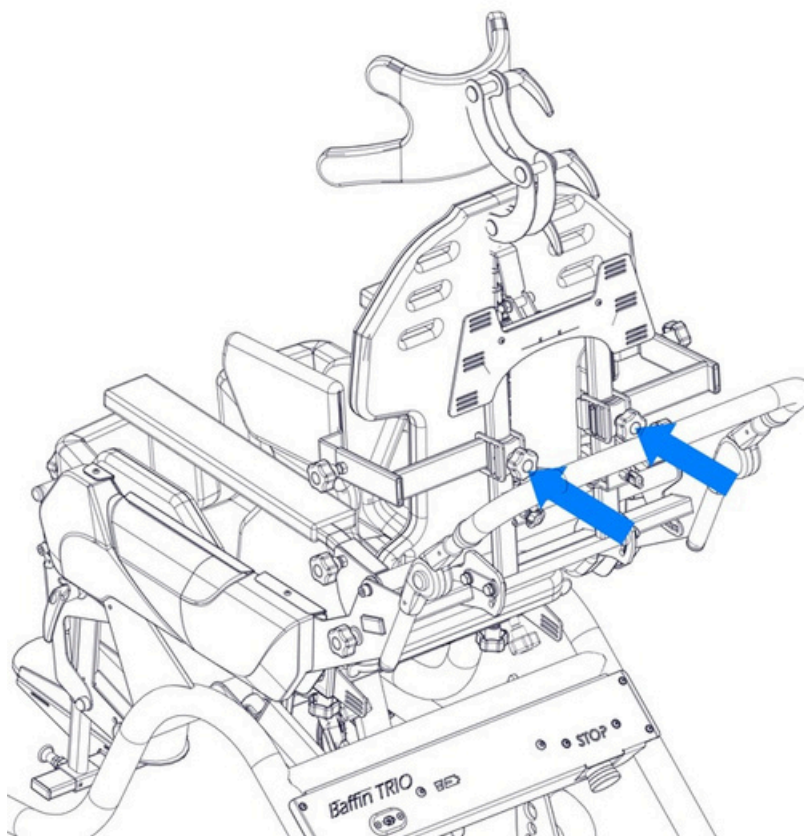


Fig. 21

NOTE! CAREFULLY CHECK IF THE ADJUSTMENT IS COMPLETELY CORRECT:-I.E.

- NO ELEMENT OF THE EQUIPMENT PUTS TOO MUCH PRESSURE ON ANY OF
- THE USER'S BODY PARTS. THAT THERE IS NOT TOO MUCH SPACE BETWEEN
- THE USER AND THE DEVICE. THAT, AFTER SETTING THE SYSTEM FOR THE USER, ALL THE SCREWS AND ADJUSTING KNOBS HAVE BEEN TIGHTENED.



12.2.2 Dismantling lateral supports

Lateral supports have a system that allows easy assembly and dismantling: To remove the lateral support, unscrew the knob marked with a blue arrow and pull out the bracket with from the handle (figure 22). Similarly, to mount back the lateral support, slide the bracket in the handle to the desired depth and then tighten the knob.

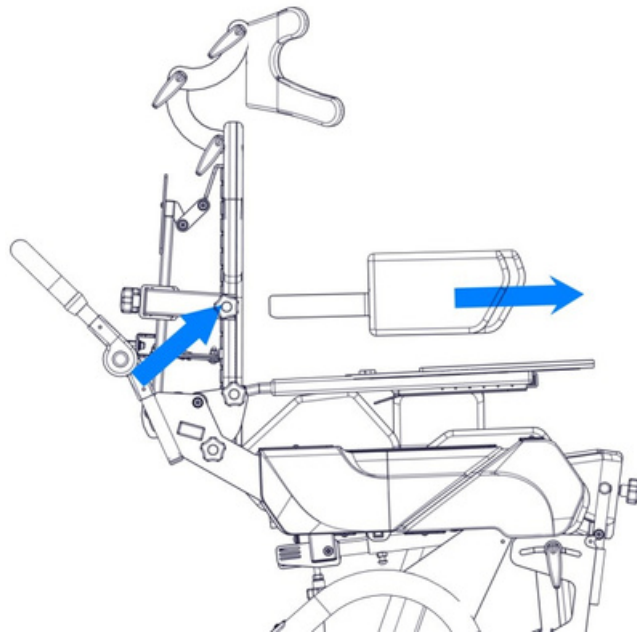


Fig. 22

12.3 Armrests adjustment

Armrest system makes it possible to smoothly adjust the angle, the height and the spacing of armrests. In order to change the angle of armrests, loosen the blocking knobs (Fig. 23), and then, after setting the right angle, block the mechanism of armrests by tightening.

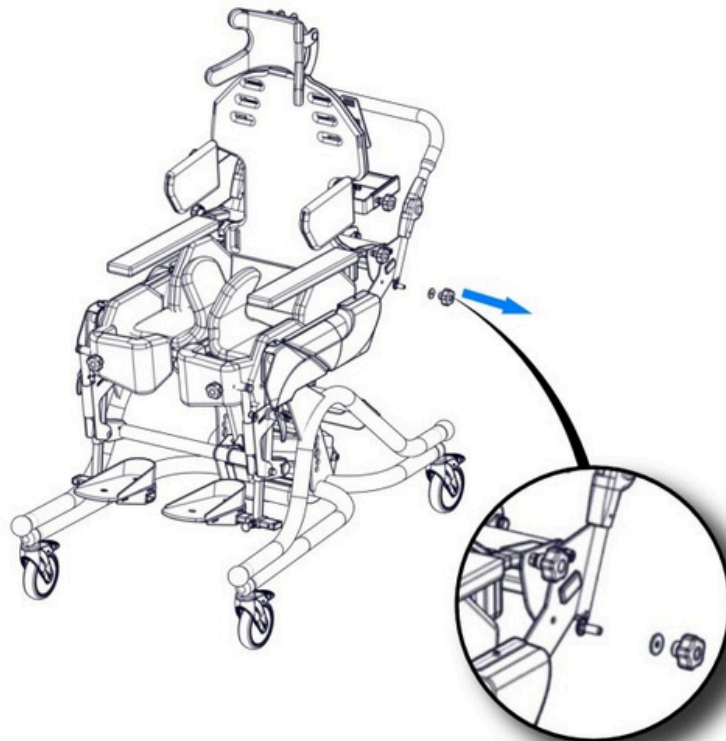


Fig. 23

The spacing of the armrests is adjusted by switching them. To switch them to opposite sides, pull away the setting pivots that block the armrests (Fig. 24), pull out the armrests from their fixing nests, and change places.

12.3.1 Removing the armrests

Dismantling the armrests is possible by unscrewing the knobs blocking armrests marked with a red arrow (figure 14). To install the armrest, slide it back into the slot and then tighten the locking knobs.

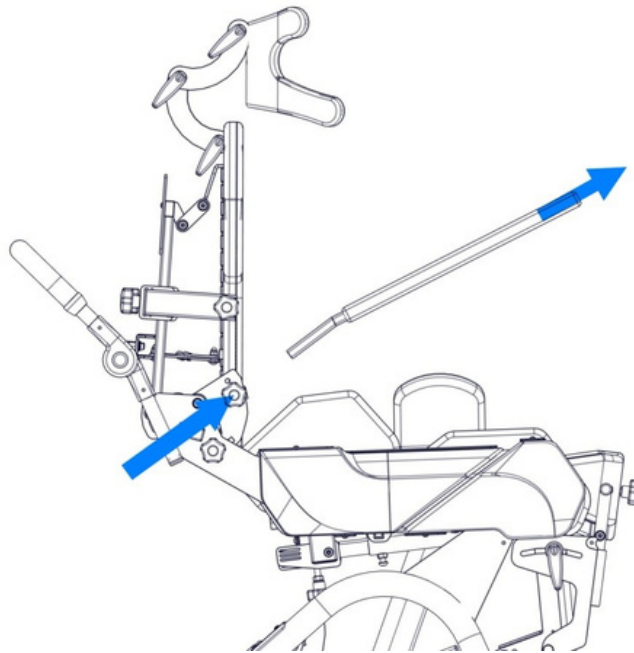


Fig. 24

12.4 Footrest adjustment

The footrest is used to support the feet while sitting, lying down and during tilting. The footrest is adjustable by:

- height,
- angular positioning of the foot platforms.

12.4.1 Adjusting the Height of the Footrest



NOTE! INAPPROPRIATELY TIGHTENED KNOBS AND SCREWS CAN CAUSE THE FOOTREST TO MOVE IN THE UPRIGHT POSITION AND CAN LEAD TO INJURY OR DAMAGE TO THE DEVICE.

Use the knob marked with a blue arrow in Figure 25, to adjust the height of the footrest. To change the height, the knob should be loosened first, and then the footrest should be moved up or down. After putting it into the required position, the knobs should be adequately tightened. Footrests may be adjusted individually, which enables adjusting those for different lengths of the lower limbs. On the outside surfaces of the adjusting parts, a scale helps with proper adjusting.

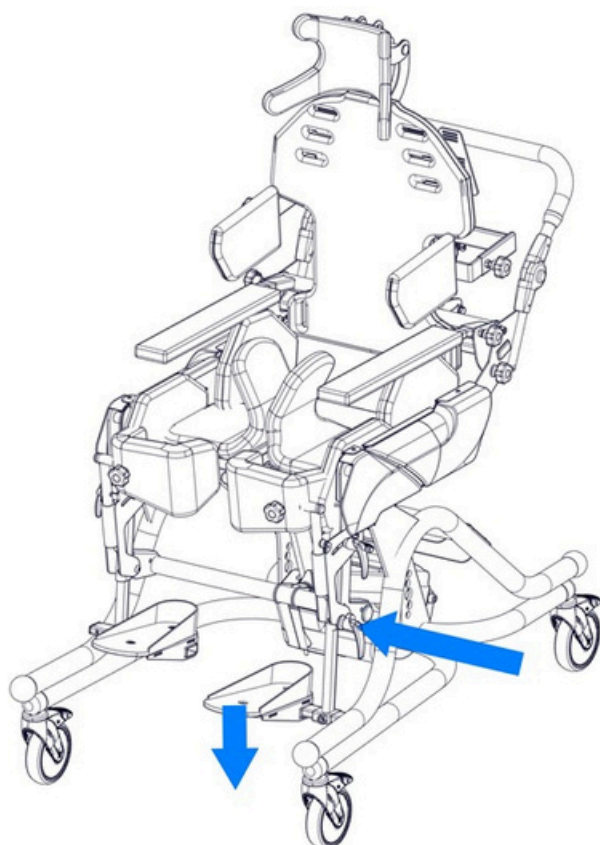


Fig. 25



NOTE! WHILE PULLING OUT THE FOOTREST, DO NOT EXCEED THE SCALE OVER THE MAX VALUE. PULLING OUT THE FOOTREST BEYOND THE MAX MARK MAY CAUSE FALLING AND FOOT INJURIES FOR THE USER OR DAMAGE TO THE DEVICE.

12.4.2 Adjusting the angle and the position of the foot platform

To change the position, loosen the adjusting screws which can be found under the platform marked with the blue arrows in Fig. 26. Loosening the screws will allow for setting the right position of the user's foot. After setting to the required position, ensure the screws are tightened.

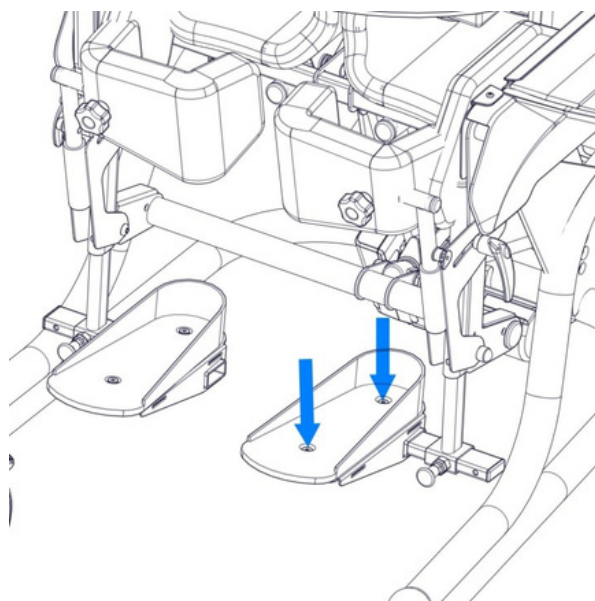


Fig. 26



12.4.3 3D Feet system angle and platform adjustment

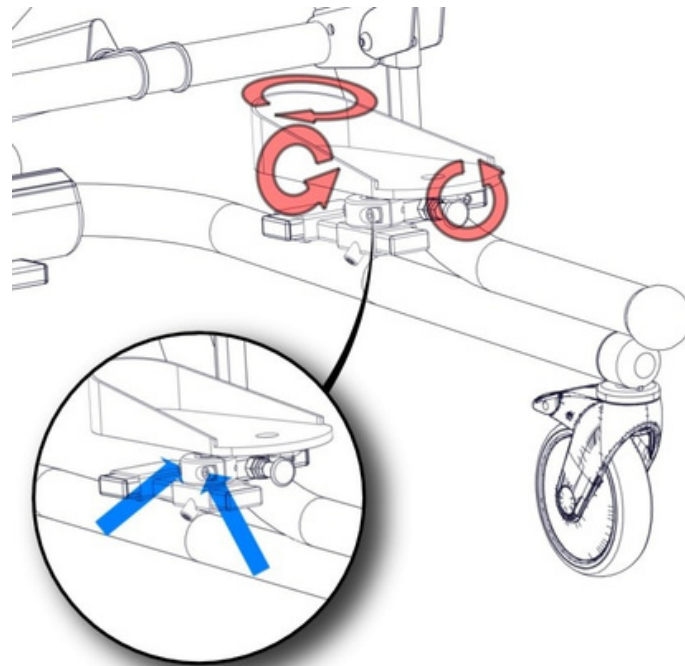


Fig. 27

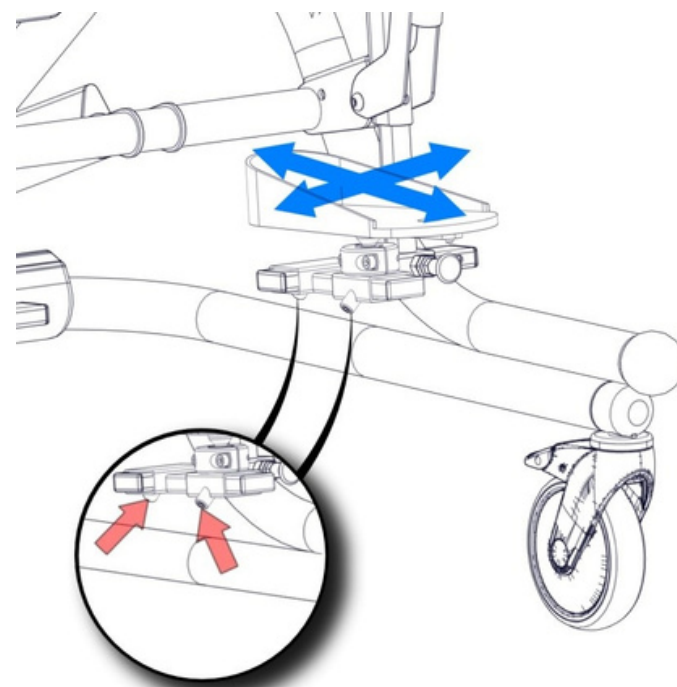


Fig. 28

The 3D Feet System enables effortless regulation of the feet platforms in every direction needed. To change the angle of the platform, the two screws marked by blue pointers should be loosened, the way shown on Fig. 27, with the help of the allen key 5mm. After adjusting the platform to the required position, the screws should be tightened.

The adjustment forward-back and side-to-side can be done by loosening the screws marked with red pointers on the Fig. 28, by using the allen key 4mm. After the adjustment is done, the screws should be tightened back.

12.4.4 Fastening the feet onto the foot platform

For safe handling of the BAFFIN TRIO 4W Multifunctional device, it is necessary to fasten the user's feet onto the foot platform. Fastening the feet is carried out with the help of four straps. Unfasten the strap buckles, place the feet on the platform, and adjust the straps so that they lie tightly close to the feet. Finally, secure the buckles (Fig. 29).

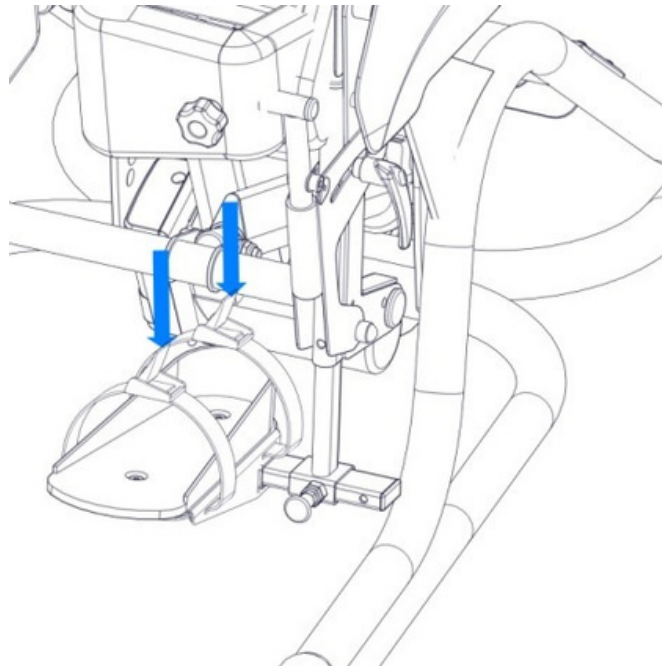


Fig. 29

12.5 Adjusting and regulating the knee supports

12.5.1 Unfastening and closing the knee supports

Use the knobs marked with the blue arrow (Fig. 30). To unfasten a knee support, loosen the locking knob and pull away the knee support from the user's knee. Next, move the knee support up and take it out or pull away outside.

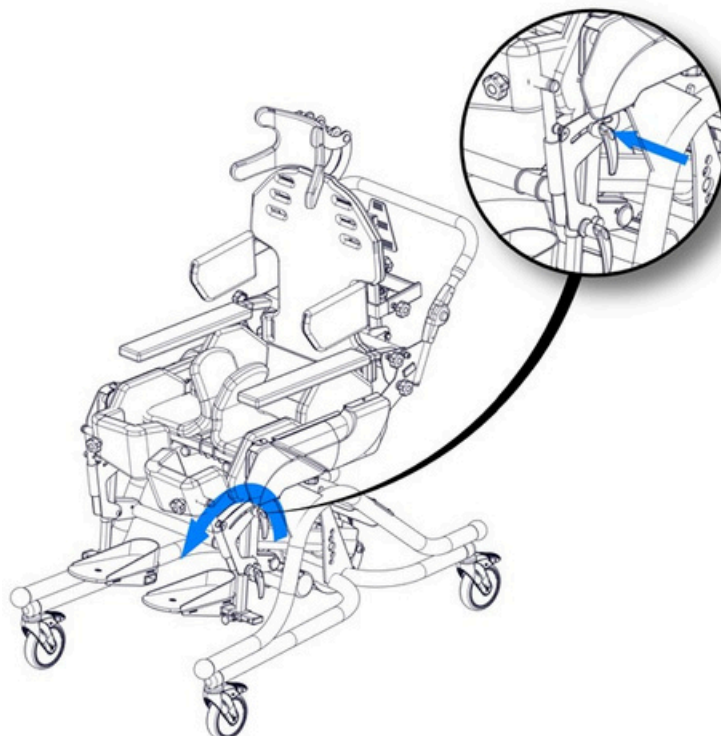


Fig. 30

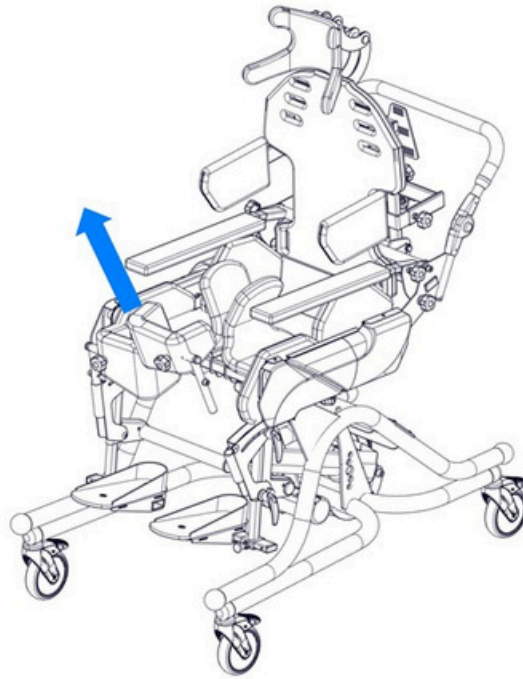


Fig. 31

To close the knee support, start by putting the shoulder of the knee support in the lock and then moving the knee support to the user's knee.

After setting the right distance from the user's knee (i.e. the minimum space between the user's knee and the knee support which does not cause discomfort), block the knee support with the knob.

Properly set, the knee support should not put too much pressure on the leg in the sitting and standing position. Each time when fastening the knee supports, check the locks by pulling the knee supports in the opening direction.

12.5.2 Regulating and adjusting the knee supports

You can adjust the knee support by pulling the knee away or back. To do this, tighten the knob marked with the blue arrow (Fig. 32) and move the knee support to the left or right. After setting the required position the knob must be tightened until you feel resistance. Properly adjusted, the knee support should put slight pressure on the leg in the sitting or standing position.

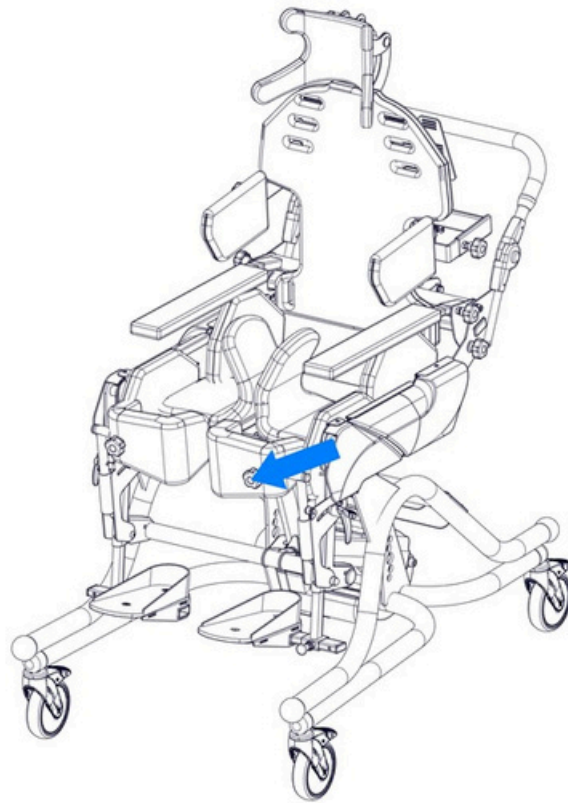


Fig. 32

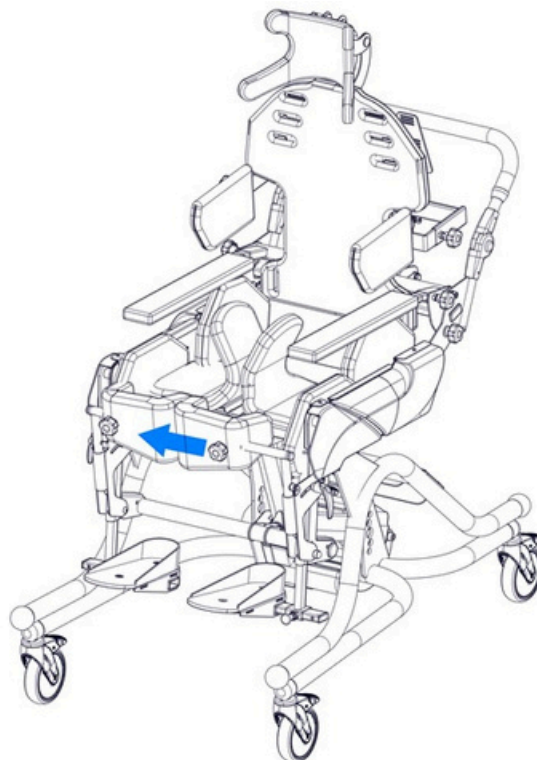


Fig. 33



NOTE! EVERY TIME THE KNEE SUPPORT IS FASTENED, CHECK IT IS LOCKED BY PULLING IT IN THE OPENING DIRECTION. PROPERLY ADJUSTED, KNEE SUPPORT SHOULD NOT PUT TOO MUCH PRESSURE ON THE LEG IN THE SITTING OR STANDING POSITION.



12.6 Adjusting the back support

BAFFIN products the only ones on the market with a back-construction design based on the human spine. This unique feature enables back adjustment in an anatomical or correcting way. The central cord is built of segments placed every 26 mm.

To adjust the backrest, loosen the adjustment screws (Fig. 35) and after obtaining the appropriate shape, tighten the adjustment screws. To get a more precise model of the shape of the back, detach the back cover from the central spine, which is assembled by means of hook and loop tape (Fig. 34).

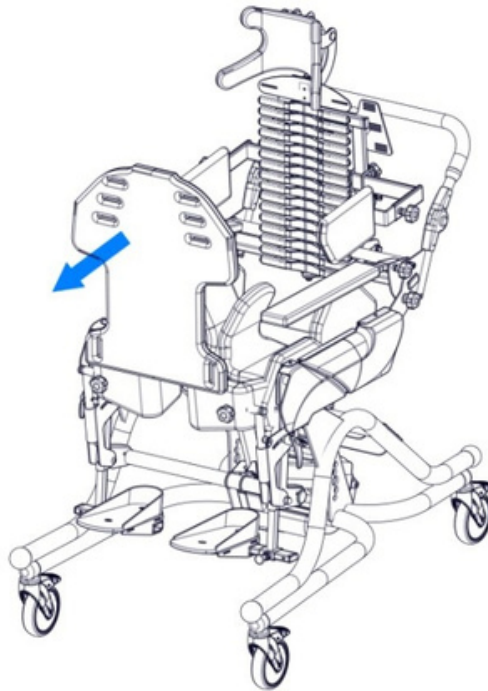


Fig. 34

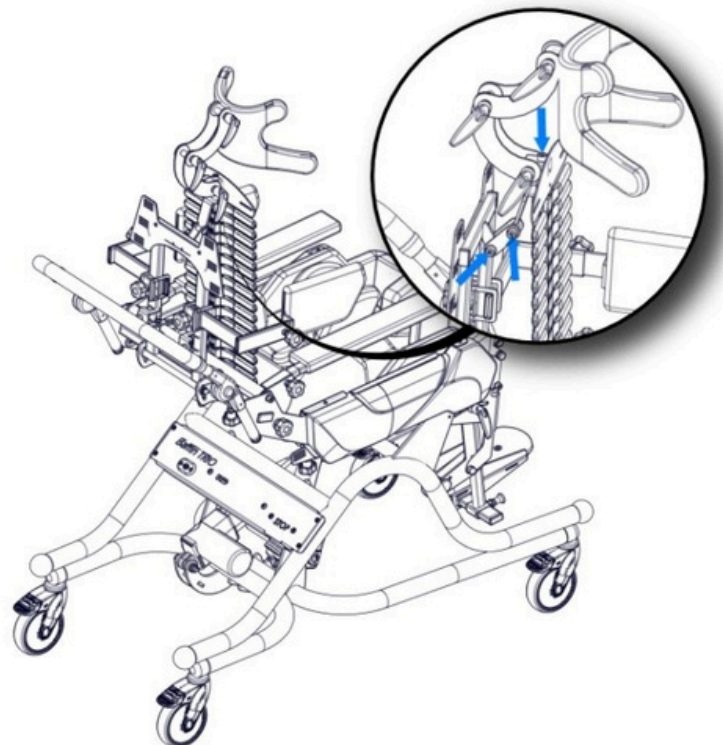


Fig. 35



NOTE! IT IS ESSENTIAL THAT A CLINICIAN SPECIFIES THE SHAPE OF THE BACK SUPPORT.

12.7 Fitting and adjustment of the vest and hip belts

The vest and hip belts are used to secure the correct position of the user in the seat. The vest and the hip belts are attached to the device using belts. To fix the vest correctly, pass the fastening belts through the holes in fastening loops. These loops can be found in the top part of the back support (Fig. 36) and in the back part of the seat, on the left and right side, behind the plastic covers (Fig. 37). The length of the fastening belts can be adjusted by passing the belts through fastening loops or through buckles which fix the belts to the vest. Adjusting the mounting straps length can be done by pushing the straps through the mounting holes or the mounting clampers of the vest.

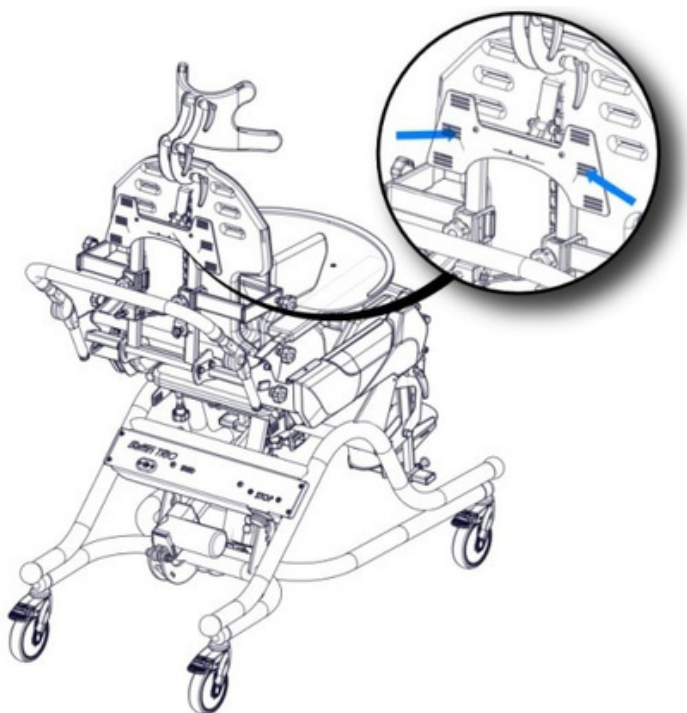


Fig. 36

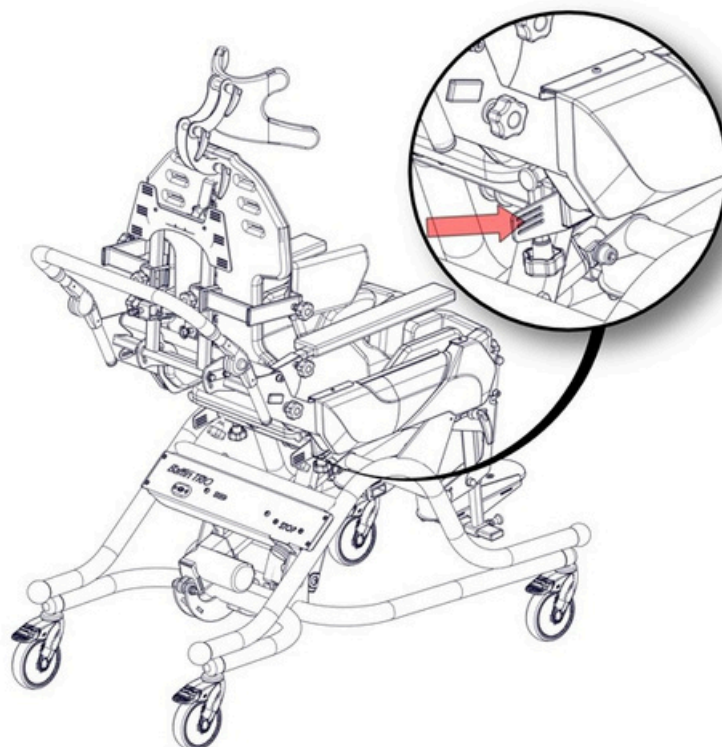


Fig. 37

The hip belts are mounted from the back of the backrest (Fig. 38) and on the front by being threaded through the mounting holes in the sheeting of the seat beneath the upholstery (Fig. 39). The adjusting of the belts length should be done by threading the straps through the clampers and mounting holes.

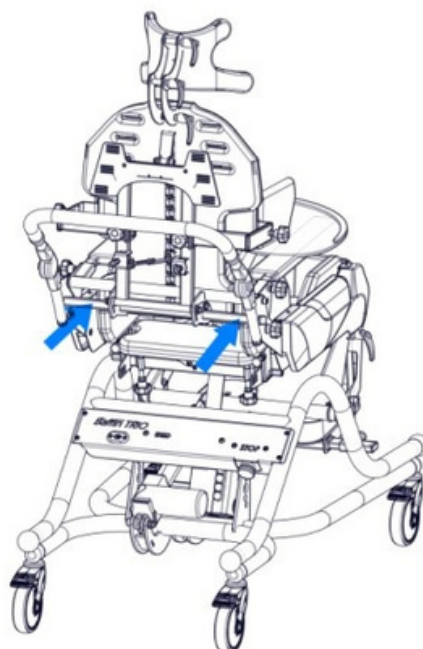


Fig. 38

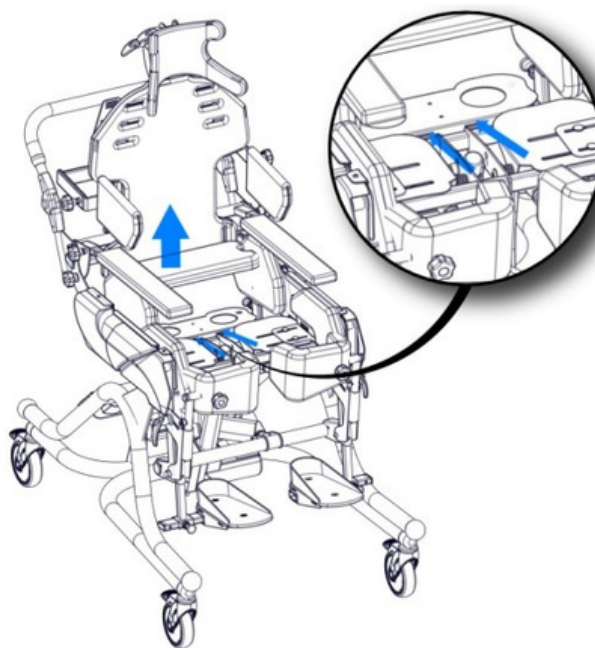


Fig. 39



NOTE! BEFORE POSITIONING THE PATIENT UPRIGHT, MAKE SURE THAT ALL THE BELTS ARE PROPERLY FIXED AND THAT ALL THE BUCKLES OF THE VEST AND HIP BELTS ARE CORRECTLY CLOSED.

13 Changing position

13.1 Changing position/verticalization

Baffin TRIO 4W is being controlled by the remote control. The user can be put into the standing position from a sitting or a lying position.



NOTE! THE USER CANNOT BE PUT INTO UPRIGHT POSITION UNTIL ALL THE ADJUSTMENT PROCEDURES ARE COMPLETED. SEE SECTION 5 ABOVE. CHECK THAT ALL THE ADJUSTING AND FIXING SCREWS ARE PROPERLY TIGHTENED.



NOTE! STABILITY OF THE DEVICE MAY BE AT RISK IN THE EVENT OF UNEXPECTED PUSH, TILTING OR LEANING ON IT.

NOTE! ENSURE THE FOLLOWING ACTION IS TAKEN BEFORE PUTTING THE USER IN THE UPRIGHT POSITION:



1. FIT THE CHEST BELT AND FASTEN ALL THE BUCKLES SO THAT THE USER IS PROPERLY STABILIZED IN THE DEVICE
2. PUT ON AND FASTEN LEGS ABDUCTION BELTS
3. ENSURE THE WHEEL BRAKES HAVE BEEN APPLIED
4. FASTEN THE KNEE SUPPORTS; CHECK THAT NO COMPONENT IS PLACED TOO MUCH PRESSURE ON THE USER'S BODY IN THE SITTING POSITION WITH THE KNEE SUPPORTS FASTENED
5. REMOVE ALL THE OBJECTS FROM THE TABLE
6. UNLOCK THE EMERGENCY SWITCH

13.1.1 Changing position from sitting into standing

After ascertain that all the actions mentioned at the beginning of this chapter has been done properly, the verticalization can be conducted. To do so, the device should be plugged to the socket of power 100-240V.

Push the button on the remote control which is marked with the blues arrow (Fig. 40). If you want to return to the sitting position, push the button on the remote control which is marked with the red arrow.

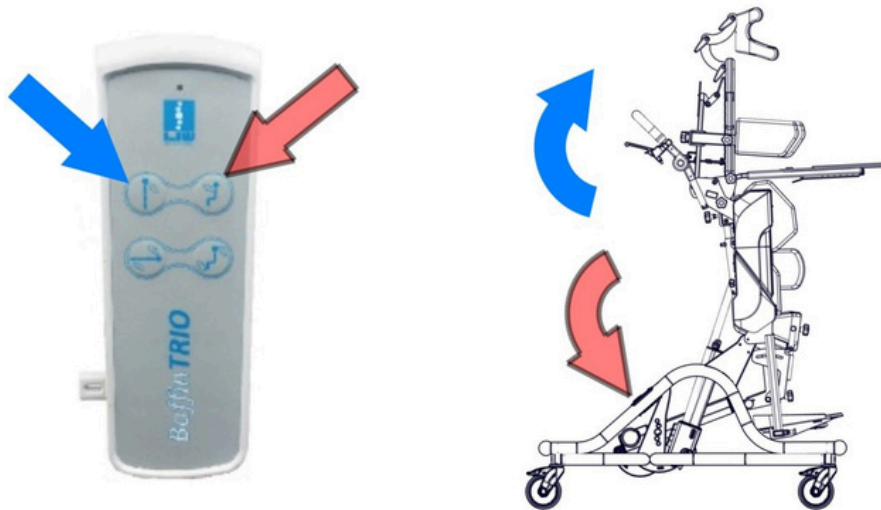


Fig. 40



NOTE! OPERATION OF THE REMOTE CONTROL CAN BE DISABLED BY PULLING THE PIN - SEE THE ELEMENT HIGHLIGHTED BY THE BLUE ARROW ON (Fig. 41). IT IS ADDITIONAL PROTECTION FROM THE UNWANTED USE OF THE DEVICE BY CHILDREN OR UNTRAINED PEOPLE.



Fig. 41

13.1.2 Changing position from sitting into laying

Push the button on the remote control which is marked with the blue arrow (Fig. 42) – the back support will start to recline/ bend down and the footrests will start moving up. Keep pushing the button on the remote control until the device is in laying position. The activity can be stopped any time to obtain various positions. In order to return to the sitting position, push the button on the remote control which is marked with the red arrow.

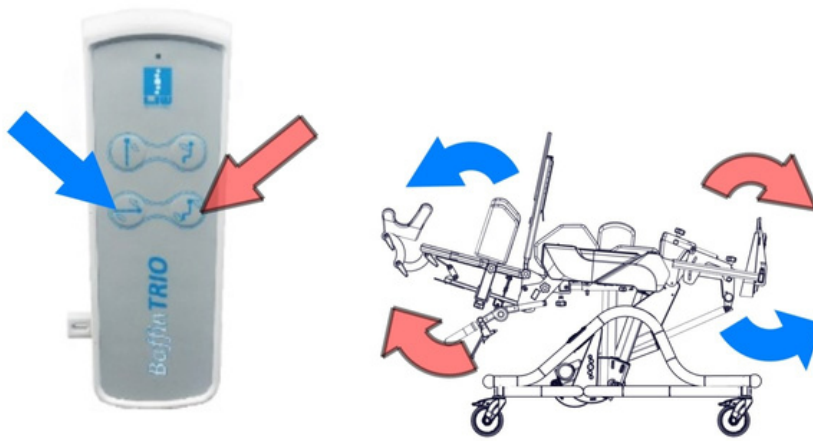


Fig. 42

The seat can change its position (standing, sitting, laying) in a smooth way for a maximum of 2 minutes. Then an 18 minutes break is mandatory. This is requirement of the actuator procedure.



NOTE! NOT FOLLOWING THE ABOVE ADVICE MAY RESULT IN PERMANENT DAMAGE TO THE SEAT.

14 Additional equipment

The Baffin TRIO 4W multifunctional device can be additionally equipped with:

1. Head rest
2. Heel supports
3. Table
4. Battery
5. Respirator shelf
6. Spine interlock
7. Headpod

14.1 Headrest

Headrest is used to stabilize the head and keep it in the right position while sitting, lying or standing.



NOTE! THE HEADREST MUST BE USED WHEN THE PATIENT IS IN THE LAYING POSITION.

14.1.1 Adjusting the headrest

To change the position of the headrest, loosen the adjusting knobs (Fig. 43), set the headrest in the required position and tighten the adjusting knobs.

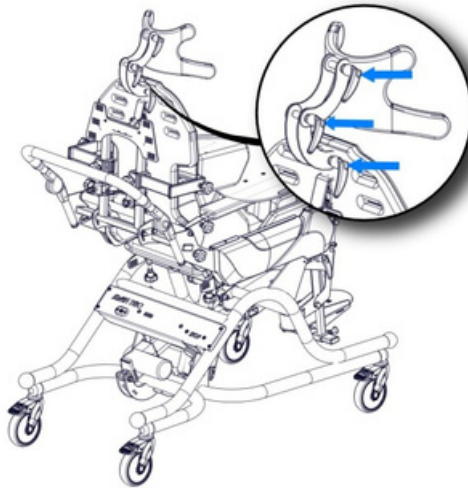


Fig. 43

14.2 Table



NOTE! BEFORE FITTING, ADJUST THE SPACING BETWEEN THE HANDLES OF THE TABLE TO THE SPACING OF THE ARMRESTS. INAPPROPRIATE ADJUSTMENT MIGHT CAUSE THE TABLE TO BE UNSTABLE, DAMAGE THE DEVICE OR RISK AN INJURY TO THE USER.

14.2.1 Adjusting the width of table handles

In order to adjust the width of the table brackets to the spacing of the armrest, loosen the screws on the table holders (shown in Fig. 44, blue arrows), then slide or enlarge the table holders to fit the spacing of the armrest, then tighten back the screws.

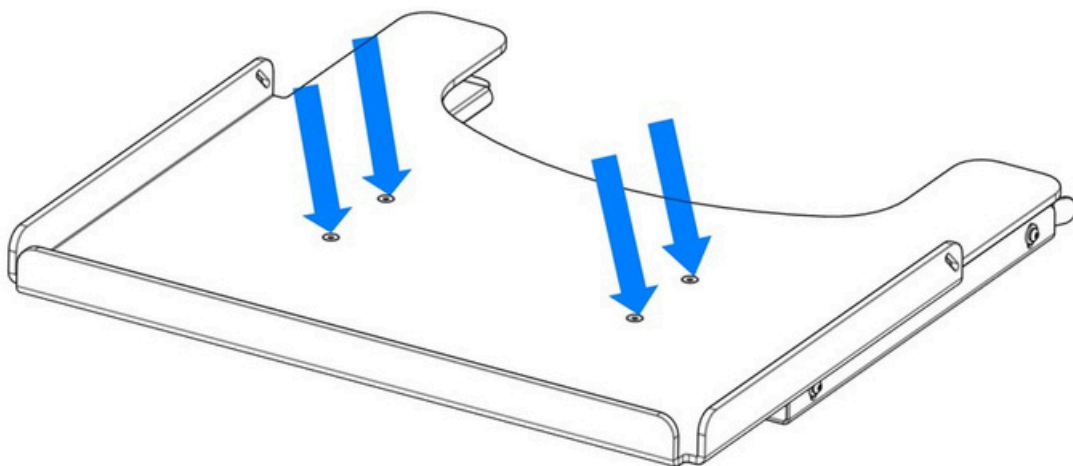


Fig. 44

14.2.2 Assembling the table

In order to mount the table on the device, pull back the setting pins located under the table and then turn them by 90 degrees. Then, lean the top of the table on the device armrests. The table handles should be positioned so that they can be slipped over the armrests. Then slide the table deep enough to give it stable support (drawing 29). To prevent it from accidentally slipping out, unblock the setting pin by turning it by 90 degrees and move the table slightly to place the pin into the appropriate seat. Then, we will hear a characteristic click.

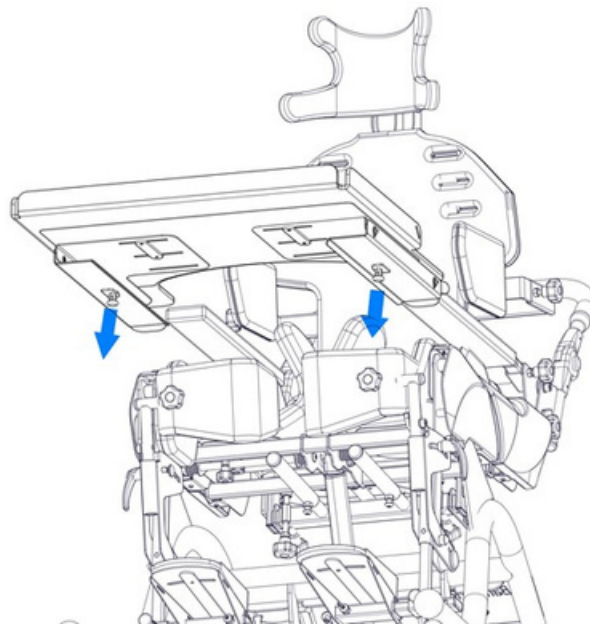


Fig. 45

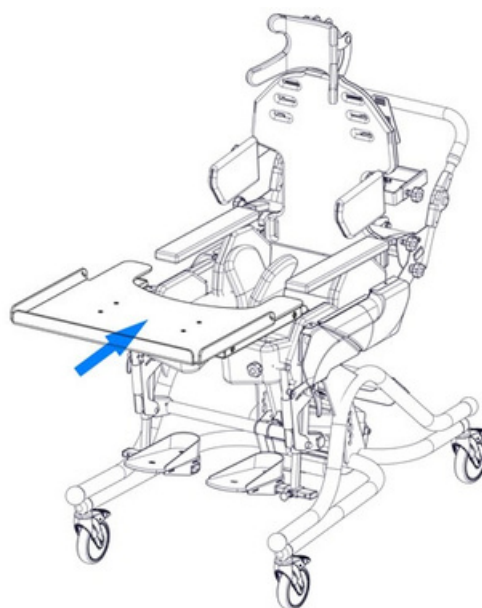


Fig. 46

14.3 Upholstery

The upholstery offered with the device is made of breathable fabric. It is compliant with the Oeko-Tex Standard 100, which confirms the total user's (including children) safety. The fabric used to make upholstery does not contain any harmful substances, e.g. pesticides, chlorophenols, formaldehyde, dyes causing allergies, forbidden azo dyes and extractable heavy metals. The Oeko-Tex Standard 100 mark is granted only to such textiles whose all components are tested during each production process stage and obtained positive results.

The upholstery is removable and washable. Each element has a zipper or snaps. Before washing of the upholstery, the foam fulfilment should be removed. Do not wash with foam inside!

14.4 Battery



NOTE! BEFORE FIRST USE, THE DEVICE SHOULD BE PLUGGED IN TO THE NETWORK 100 – 240V TO UNLOCK THE ELECTRICS OF THE BATTERY AND OBTAIN COMPLETE CHARGING OF THE BATTERY.

The battery is an individual power supply, which enables automatic control without the need to plug the device into the network 230V. After discharging, the battery requires loading again. On the casing of the battery, there is a diode that indicates the status of the battery during charging.

Charging mode (when system is plugged in to the network 100 – 240V):

- the diode is orange, constant, short light impulses with the 1s frequency – charging
- the diode is green, monotonous light – the charging is finished, and the battery is full.

Low battery status is indicating by repetitive, short sound signals – which are reminder for plugging the device into the network 100 – 240V to charge the battery again.

Appearance of the first sound signal means, that there is still 10-15% of energy remaining, which enables to finish the verticalization action and safe return the device to the starting position.



NOTE! AFTER APPEARANCE OF THE FIRST SOUND SIGNAL INDICATING LOW BATTERY STATUS, THE ACTION OF STARTING THE VERTICALIZATION SHOULD NOT BE TAKEN, BEFORE EARLIER PLUGGING THE DEVICE INTO THE NETWORK 100-240V. IT MAY CAUSE A DANGER OF COMPLETE DISCHARGING THE BATTERY, SUDDEN STOP OF THE DEVICE AND IMPOSSIBILITY TO PUT THE STANDING FRAME BACK TO THE STARTING POSITION

Battery Technical data: ion-lithium battery. Output parameters: 25.2V 1800mAh 45Wh
Charger Technical data: impulse power supply. Input parameters: AC 100-240V 1.5A. Output parameters: DC 29V 2A



NOTE! TO OBTAIN THE MAXIMUM OF THE DURABILITY, THE BATTERY SHOULD BE CHARGING AT LEAST ONCE A WEEK FOR MINIMUM TIME: 12H. AFTER DISCHARGING OF THE BATTERY, IT SHOULD BE IMMEDIATELY PUT TO CHARGING. KEEPING THE BATTERY IN COMPLETE DISCHARGED STATUS LEADS TO ITS PERMANENT DAMAGE. COMPLAINS CAUSED BY INAPPROPRIATE EXPLOITATION OF THE BATTERY WON'T BE TAKEN INTO CONSIDERATION.

14.5 Built-in-spine system lock

The decision on assembling additional built-in 'spine' system lock should be made only by a person authorised by the manufacturer of the individual device for enabling vertical position after obtaining an accurate certificate. For the lock installation, knobs (two marked by blue pointers on Fig. 46) should be loosened, and then the lock should be moved on profiles on devices back. After gaining desired height of lock, knobs should be tightened. For lock adjustment, four screws should be loosened (four marked red pointers on Fig. 46), then tightened to the main core, and finally blocked by tightening the screws.).

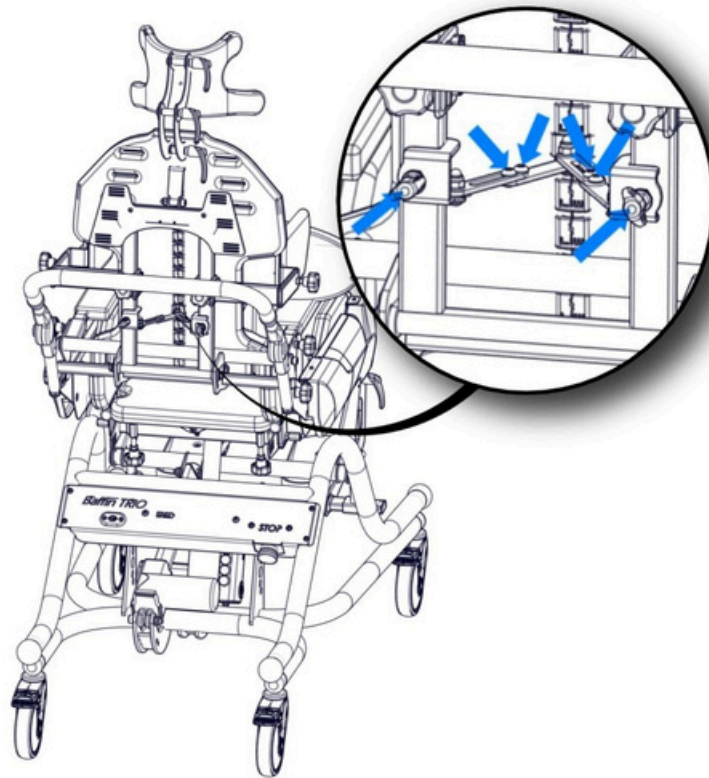


Fig. 47

15 Handling the device

Moving BAFFIN TRIO 4 W require two people. The device base should be grabbed with both hands and lifted evenly, then moved to the destination point.

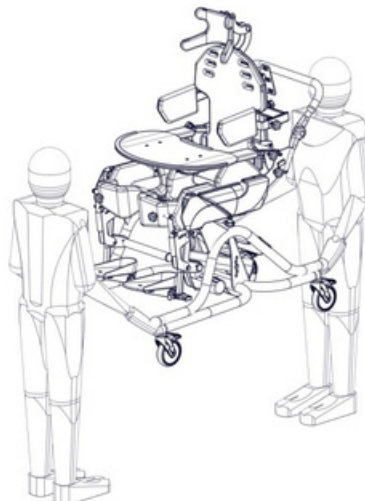


Fig. 48



NOTE! WHILE MOVING AND TRANSPORTING THE DEVICE, PLUG OFF THE REMOTE CONTROL.



16 Cleaning & maintenance

The Baffin TRIO 4 W made of powder coated steel and aluminium. Plastic covers and foam and sponge refills are attached to the metal construction. The foam is upholstered with textile covers. It is important that the equipment is kept clean regularly and maintained in accordance with these instructions.

The coating and plastic covers should be cleaned with a damp cloth, using a gentle household detergent. The upholstery can be hand washed or machine washed at a maximum of 40 degrees C.



NOTE! THE DEVICE IS NOT WATERPROOF. DO NOT ALLOW FOR DIRECT CONTACT WITH WATER. THE DEVICE IS FOR INDOOR USE, AT ROOM TEMPERATURE. DO NOT USE THE DEVICE OUTDOORS OR EXPOSE IT TO DIRECT CONTACT WITH WEATHER CONDITIONS.



NOTE! WHEN WASHING THE UPHOLSTERY, PAY ATTENTION TO THE VELCRO TAPES. IN ORDER TO AVOID DAMAGING THE UPHOLSTERY, MAKE SURE THAT THE VELCRO TAPES ARE UNFASTENED AND THEY DO NOT TOUCH THE VELOUR. DO NOT WASH WITH THE FOAM INSIDE. WASH THE UPHOLSTERY ONLY.

When washing / during laundry, use detergents with PZH certificate designed for delicate materials. Use in the quantities specified on the package.

- For water removal – do not wring, short-term spinning is acceptable.
- For drying - should be dried by hanging, at room temperature.

Foam and sponge refills:

- Vacuum or brush with a soft bristle.
- A cleaning cloth moistened with water and mild chemicals can be used. After this operation, dry thoroughly at room temperature.

16.1 Disinfection

If the device is used by different patients (ex. in a rehabilitation centre) it is necessary to use disinfectants. For the manual disinfection, it is recommended to use Incidin plus in the solution from 0,25% to 0,5% or another similar product. It is necessary to follow the instruction of application supplied by the disinfectant's producer.

Advice: before disinfection clean upholstery and handles.

17 Disposal of the product

If the user resigns from using the product, then he is obliged to dispose of the product in line with the environmental regulations.

He is obliged to disinfect the device, since the product which has not been disinfected in line with the environment protection laws is considered to be hazardous.

Disposal of the product may be:

Carried out by a company which is in possession of the credentials required to dispose of the devices. In case when the product is scrapped, the plastic elements shall be disposed of separately from the metal ones, in line with the requirements. Should any questions arise, one should address them to the local authorities, waste disposal companies or to our maintenance department. The electrical components (drives, controllers, panels, batteries) shall be disposed of as electrical waste, in line with the WEEE directive.

18 Identification plate

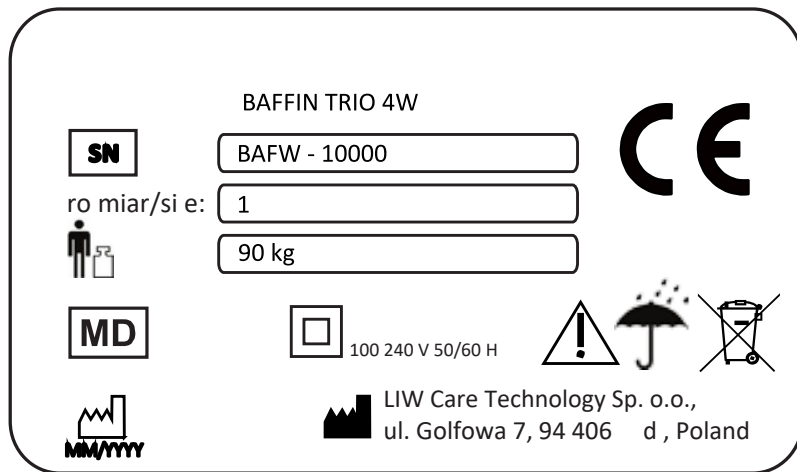


Fig. 49

19 Service & maintenance

Should you notice and faults or defects, you should stop using the buggy immediately and contact your dealer or manufacturer. Defective unit must be protected against enlarging the area of damage. Never attempt to disassemble or repair the product. Do not replace original parts with the ones coming from a source other than the manufacturer recommends.

If the user decides not to continue using the product it is bound to its disposal in accordance with the applicable environmental regulations.

The economic lifetime of the product is five years.

The manufacturer provides post – warranty service. Contact details:

**LIW Care Technology Sp. z o.o., ul. Golfowa 7,
94-406 Łódź, Poland.**

www.liwcare.pl

email: reklamacje@liwcare.pl

Warranty terms are specified in the warranty card, which is an integral part of this statement. The warranty card is available on the last page of this document.

WARRANTY CARD

This Limited Warranty is extended only to the original purchaser. Baffin Technology Systems Limited warrants Baffin Trio against defects in materials and workmanship from the date the product is delivered to the original purchaser by Baffin Technology Systems Limited.

Your new Baffin TRIO is guaranteed from the date of delivery as listed below:

1. Two years for all material and manufacturing defects of mechanical parts.
 2. One year for all electronic components, including the actuators.
 3. Upholstered components, plastic, rubber, painted surfaces, and bearings.
 4. 180 Days for batteries and other parts not specifically identified above.
- If the product is rented or otherwise not sold to a consumer, the warranty period commences from the invoice date from Baffin Technology Systems Limited.
 - Any product proven to be to Baffin Technology Systems Limited's satisfaction to be defective and within the warranty period, shall be repaired or replaced by Baffin Technology Systems Limited free of charge.
 - Baffin Technology Systems Limited's sole obligation and customers' exclusive remedy Under this warranty, such repair and replacement shall be limited.
 - Freight charges (if necessary) to the factory are at the customer's expense. Return Baffin Technology Systems Limited will prepay freight charges.
 - Baffin Technology Systems Limited will not repair or replace free of charge any part or Parts were found to be defective due to abuse, misuse, or lack of maintenance.
 - The Customer has no claim on warranty, if there has been any design, mechanic or electronic modifications been made (except those done by Baffin Technology Systems in partnership with Liw Care Technology) on the Baffin Trio without the approval from Baffin Technology Systems.
 - Baffin Technology Systems Limited and Liw Care Technology SHALL NOT BE
LIABLE
FOR ANY CONSEQUENTIAL OR INCIDENTAL DAMAGES WHATSOEVER.

Baffin Technology Systems Limited, in partnership with LIW Care Technology, maintains a policy of continual product improvement and reserves the right to change features, specifications and prices without prior notification. Check with Baffin Technology Systems Limited for the latest information. Your statutory rights are not affected.

Baffin Technology Systems Limited



EU DECLARATION OF CONFORMITY

Manufacturer:

LIW Care Technology Sp. z o.o.
ul. Golfowa 7
94-406 Łódź, Poland

Hereby declares that

BAFFIN TRIO 4W

size: 1 and 2

bearing CE mark is a Class I medical device, Rule 13 in accordance with Annex VIII of Regulation (EU) 2017/745 of the European Parliament and of the Council of 5 April 2017 on medical devices and fulfills the requirements specified in this Regulation.

The conformity assessment was done according in Regulation (EU) 2017/745 of the European Parliament and of the Council of 5 April 2017 on medical devices.

Medical device is in conformity with the following harmonized standards:

- PN-EN 12182:2012
- PN-EN ISO 14971:2012
- PN-EN 1041+A1:2013-12
- PN-EN ISO 15223-1:2017-02
- PN-EN 60601-1-2:2015-11
- PN-EN ISO 13485:2016

We declare that the product fulfills requirements of the RoHS Directive 2011/65/UE, including all its amendments.

Basic UDI-DI: 5904384015BAFFINTRIO4WS6

EU declaration of conformity is issued under the sole responsibility of the manufacturer.

On behalf of the manufacturer:
Tomasz Chmielecki, CEO

Signature:

Łódź, 26th of May 2021

LIW CARE TECHNOLOGY Sp. z o.o.
94-406 Łódź, ul. Golfowa 7
NIP: 729-266-53-87, REG. 100715121
KRS: 0000333719

Manufacturer's seal: